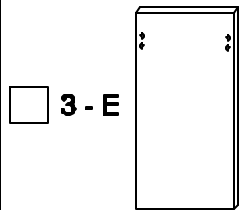
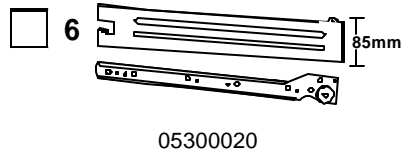
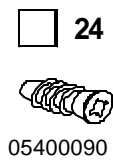
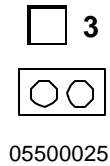
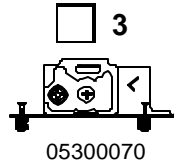
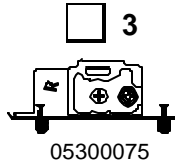
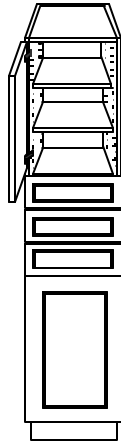
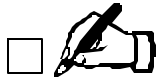
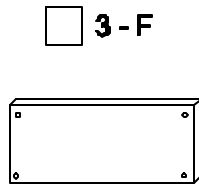


**LINEN TOWER  
DRAWER BANK**

15TLD3



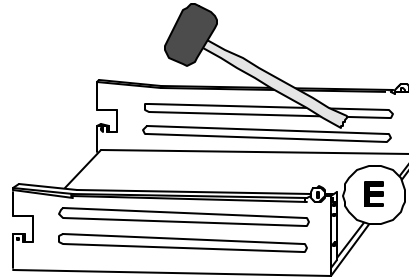
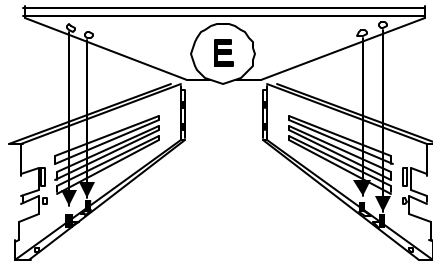
METABOXBOTTOM



METABOXBACK

**1.**

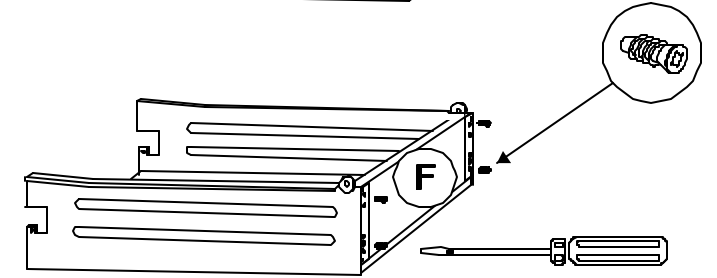
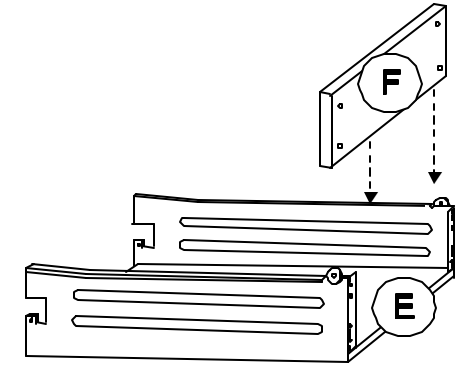
x 3



**2.**

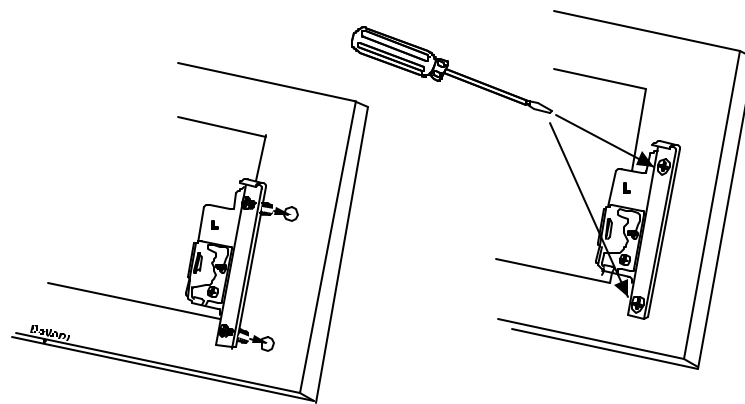
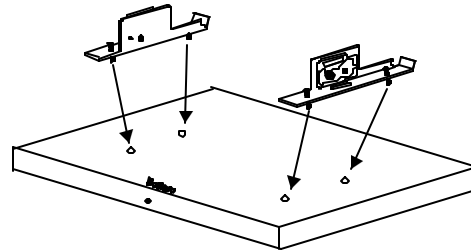
x12

x 3



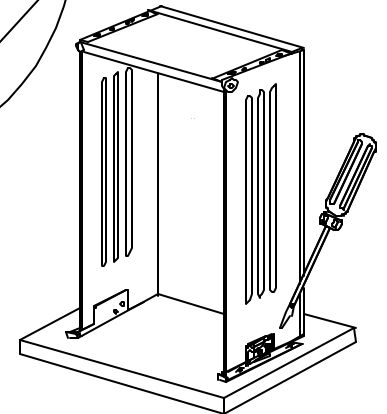
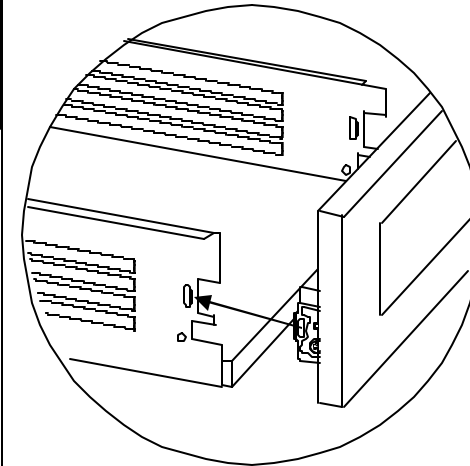
**3.**

x 3

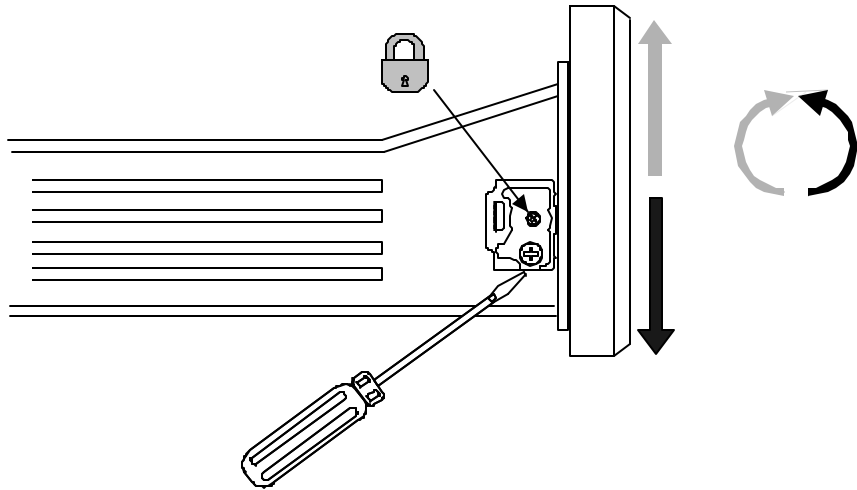


**4.**

x 3




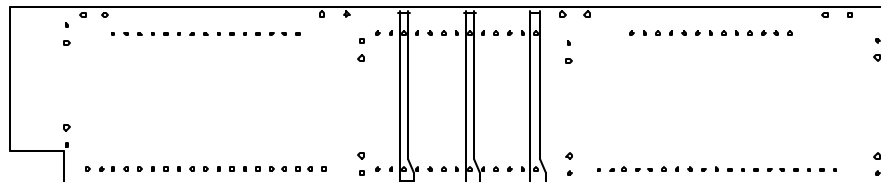
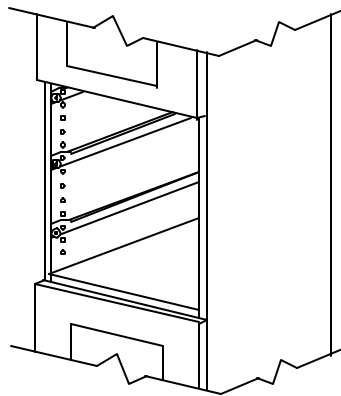
5.



6.

 x12

 x6



GABLE

*Thank you for choosing Euro-Rite!*



**Euro-Rite offers a series of real wood doors which may show occasional knots or slight colour variation from door to door. These naturally occurring variations give Euro-Rite wood doors a truly unique beauty and character.**

Please contact Customer Service  
for Warranty Information Toll Free  
1-888-464-5063 or email us [CS@eurorite.com](mailto:CS@eurorite.com)

**Euro-Rite Cabinets Ltd.**  
[www.euro-rite.com](http://www.euro-rite.com)

