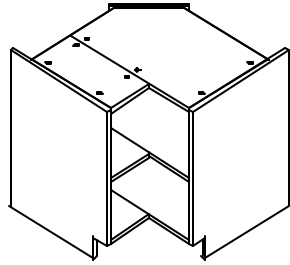
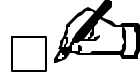


Assembly Instructions

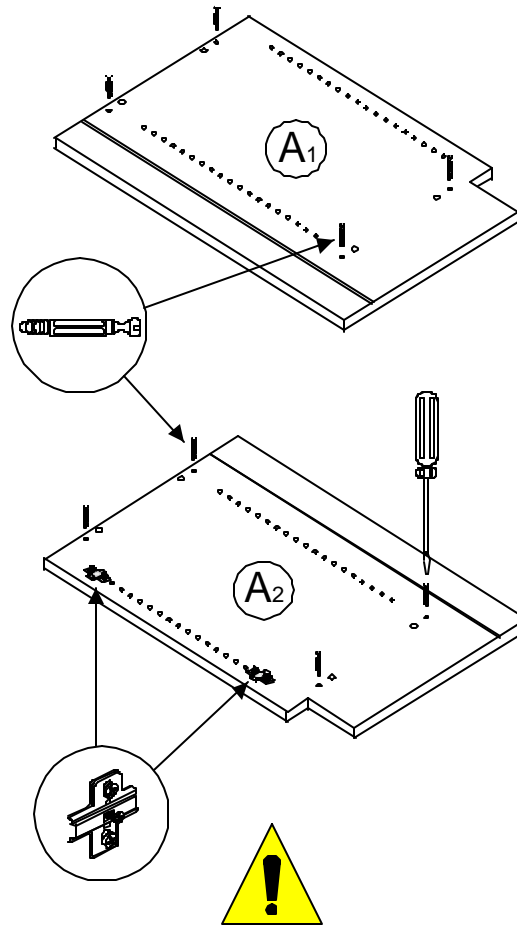
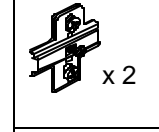


CornerBase Cabinet



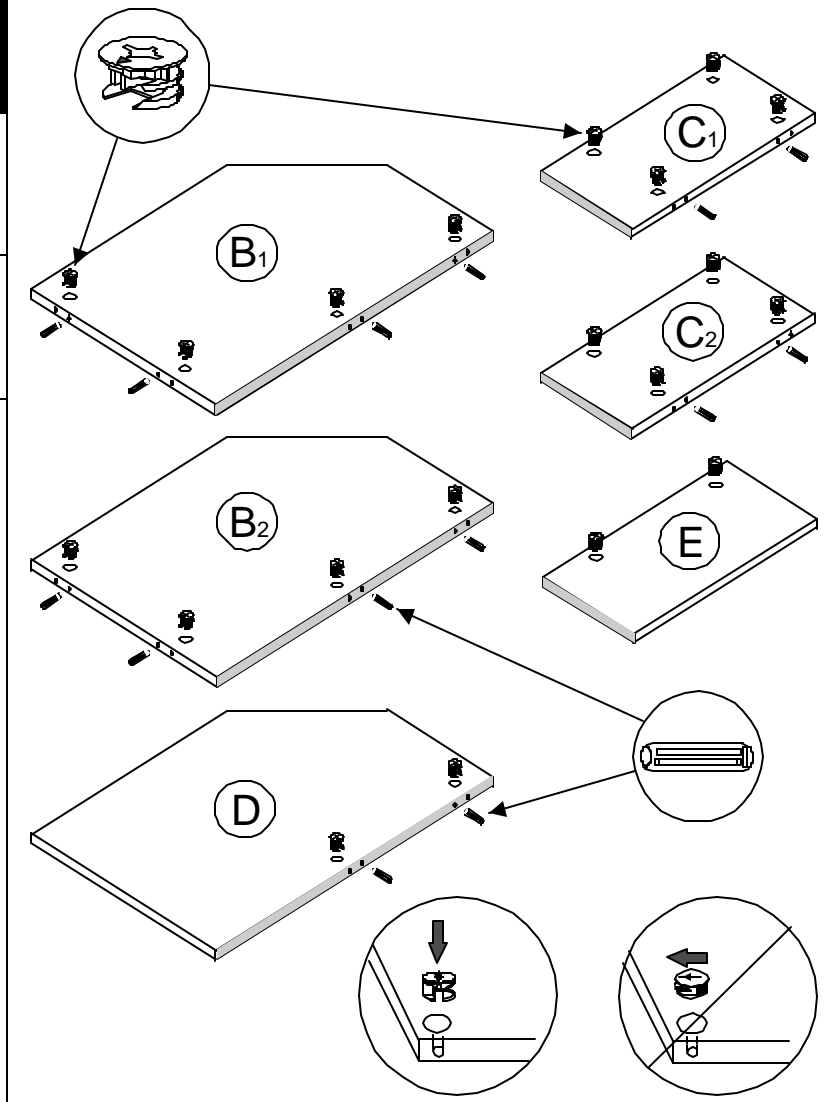
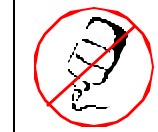
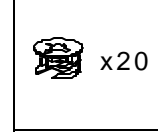
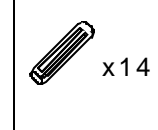
8 05400005	20 05400025	14 05400015	6 05400010
5 05500005	4 05400030	6 05400045	16 05400105
4 05100105	2 05100040	2 05100050	

1



DOOR HINGED ON THE LEFT AND OPENING FROM THE RIGHT IS SHOWN. TO REVERSE, PUT DOOR MOUNTING PLATE (05100105) ON GABLE A1.

2



2-A

GABLE

2-B

ASSEMBLY SHELF LARGE

2-C

ASSEMBLY SHELF SMALL

1-D

ADJUSTABLE SHELF LARGE

1-E

ADJUSTABLE SHELF SMALL

1-F

ADJUSTABLE SHELF SUPPORT BLOCK

1-G

CORNER BASE BACKLEG

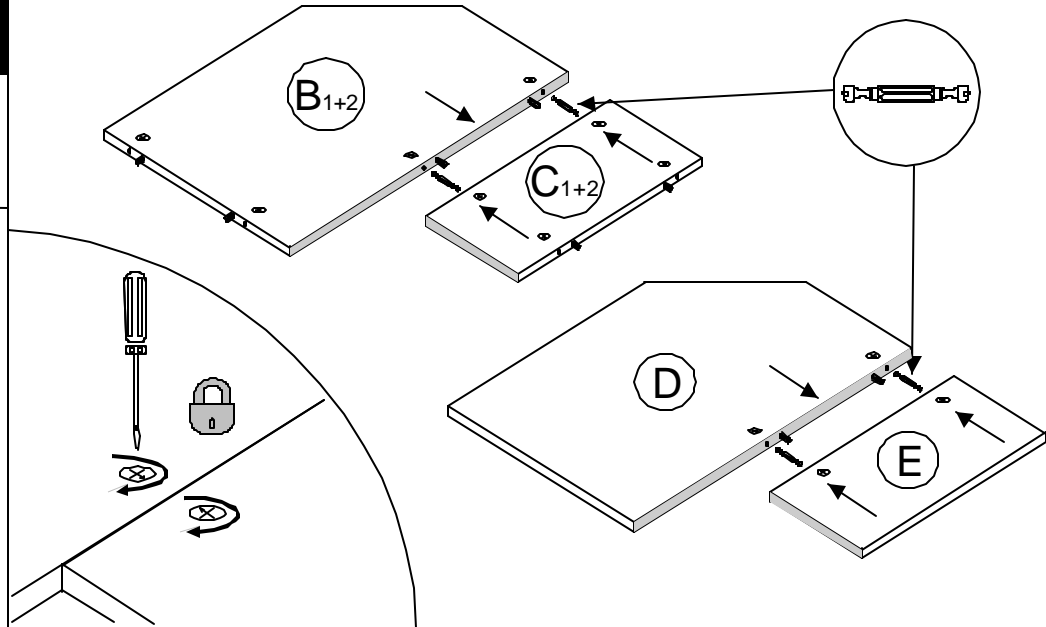
2-H

BACKBOARD

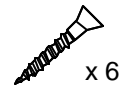
3



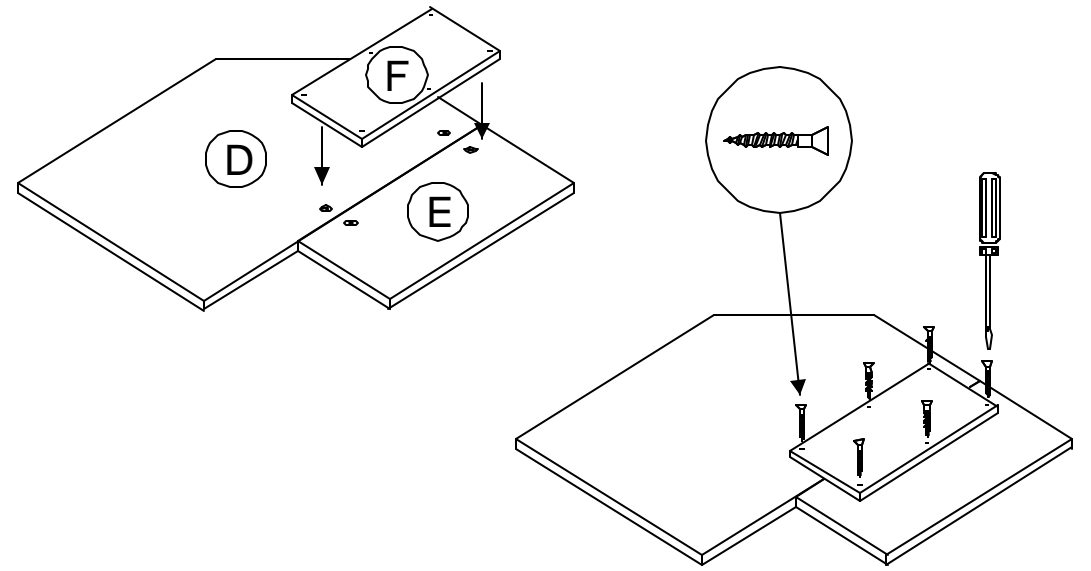
C1 → B1
C2 → B2
E → D



4

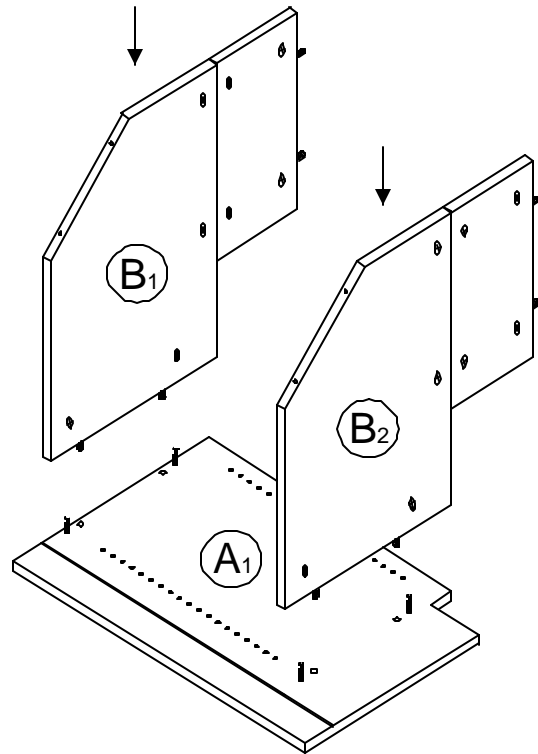


F → D, E



5

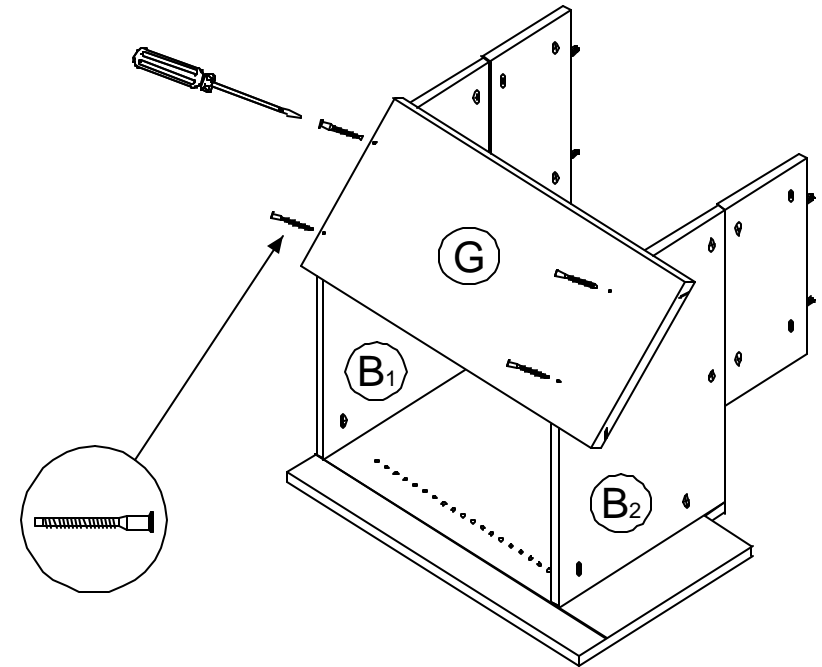
B1 → A1
B2 → A1



6

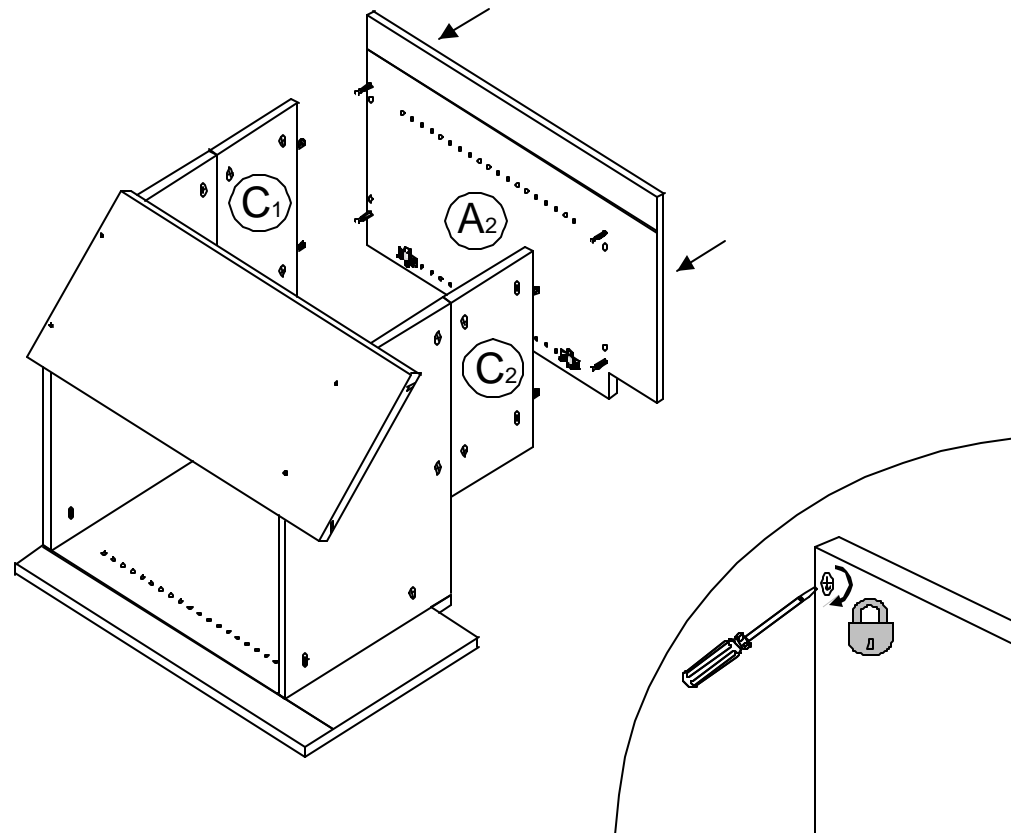


G → B1+2



7

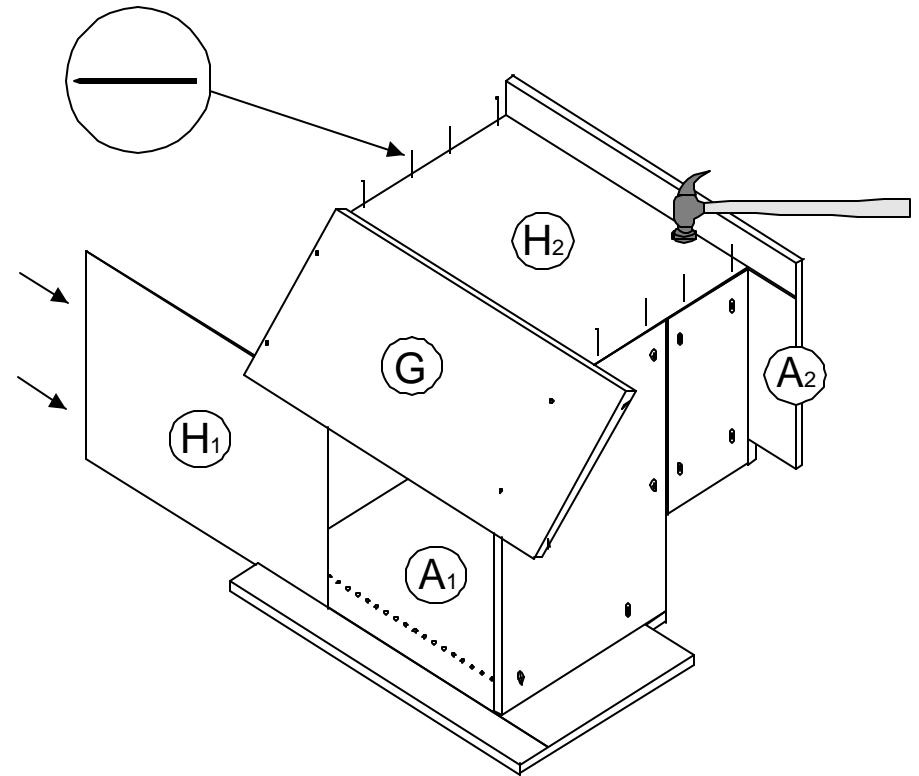
A2 → C1+2



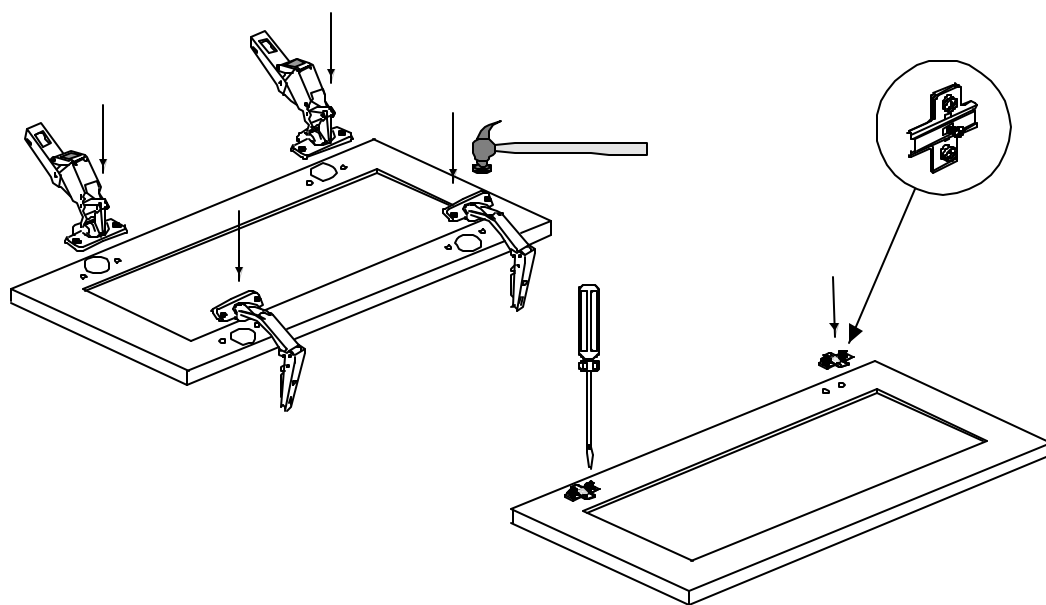
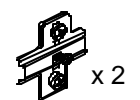
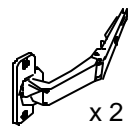
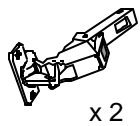
8

x16

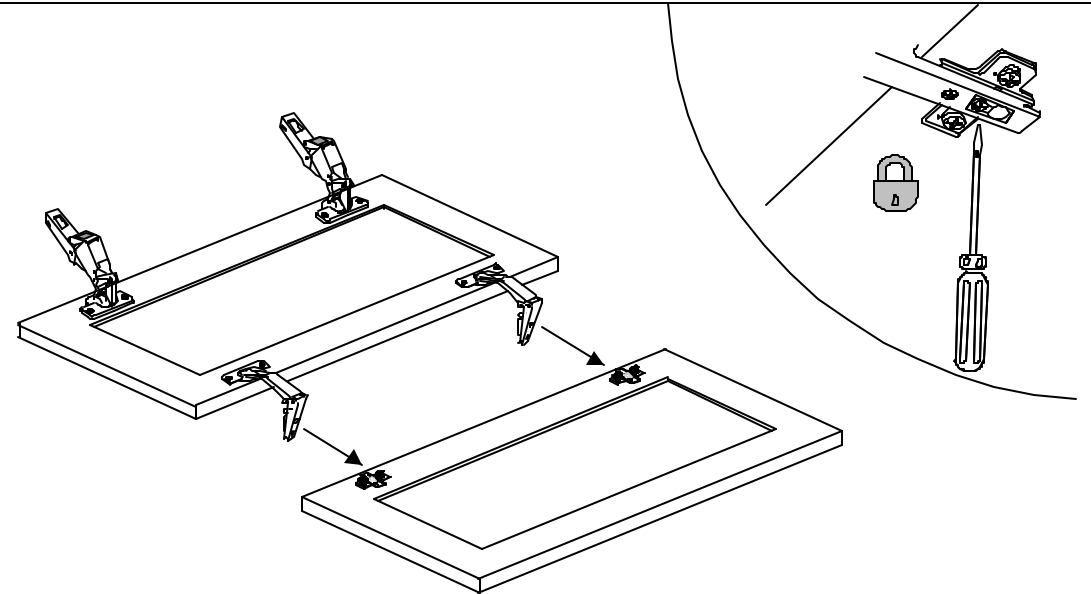
H1 → A1+G
H2 → A2+G



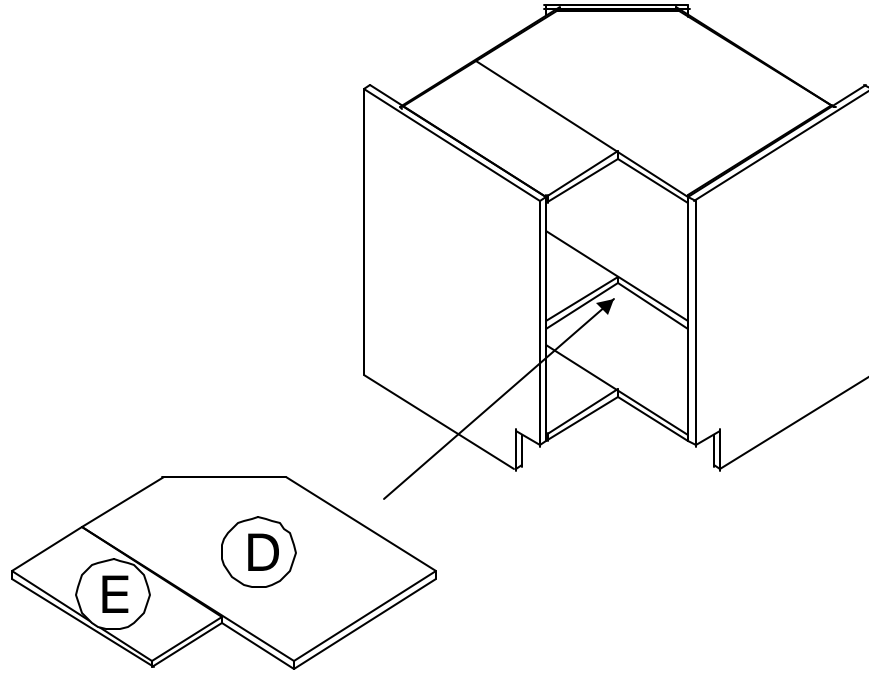
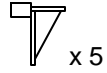
9



10



11



Thank you for choosing Euro-Rite!

Wood is a natural product that has its own characteristics and variations. Please enjoy the beauty of Euro-Rite's real wood doors.

Please contact Customer Service for Warranty Information Toll Free 1-888-464-5063 or email us CS@eurorite.com

Euro-Rite Cabinets Ltd.
www.euro-rite.com



12

