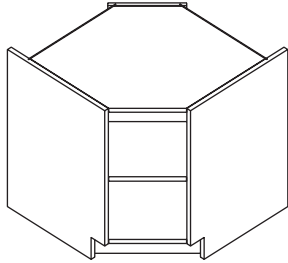


Assembly Instructions



Corner Diagonal Base Cabinet

CDB36



8 0540 0005	8 0540 0025	8 0540 0015	16 0540 0060
4 0540 0030	20 0540 0105	5 0550 0005	1 0550 0030
2 0510 0060	2 0510 0100	4 0560 0010	

1

x 8
 x 2

DOOR HINGED ON THE LEFT AND OPENING FROM THE RIGHT IS SHOWN. TO REVERSE, PUT DOOR MOUNTING PLATE (0510 0100) ON GABLE B.

2

x 8
 x 8

1
LEFT HAND GABLE

1
RIGHT HAND GABLE

2
ASSEMBLY SHELF

1
ADJUSTABLE SHELF

1
CORNER BASE BACK LEG

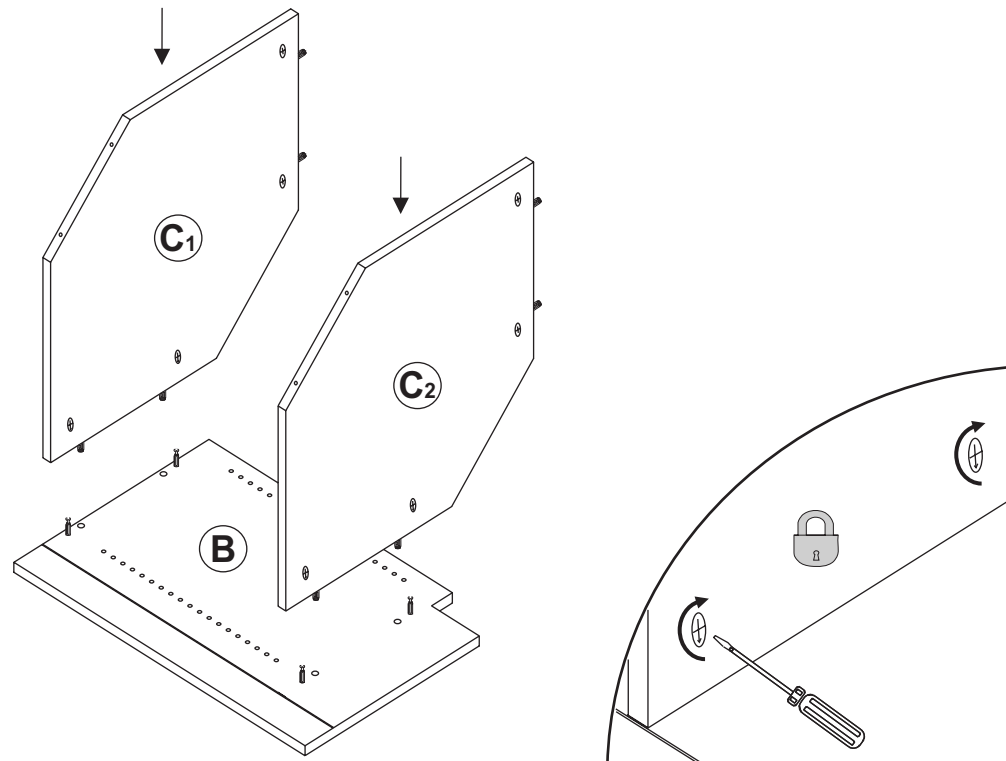
1
VALANCE

1
TOE KICK

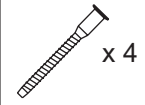
2
BACKBOARD

3

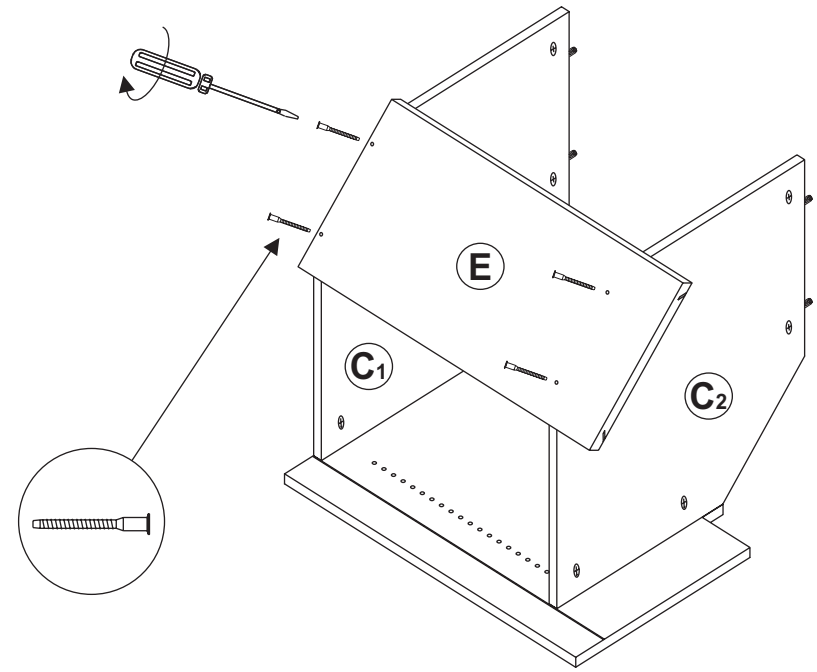
C1&2 → B



4

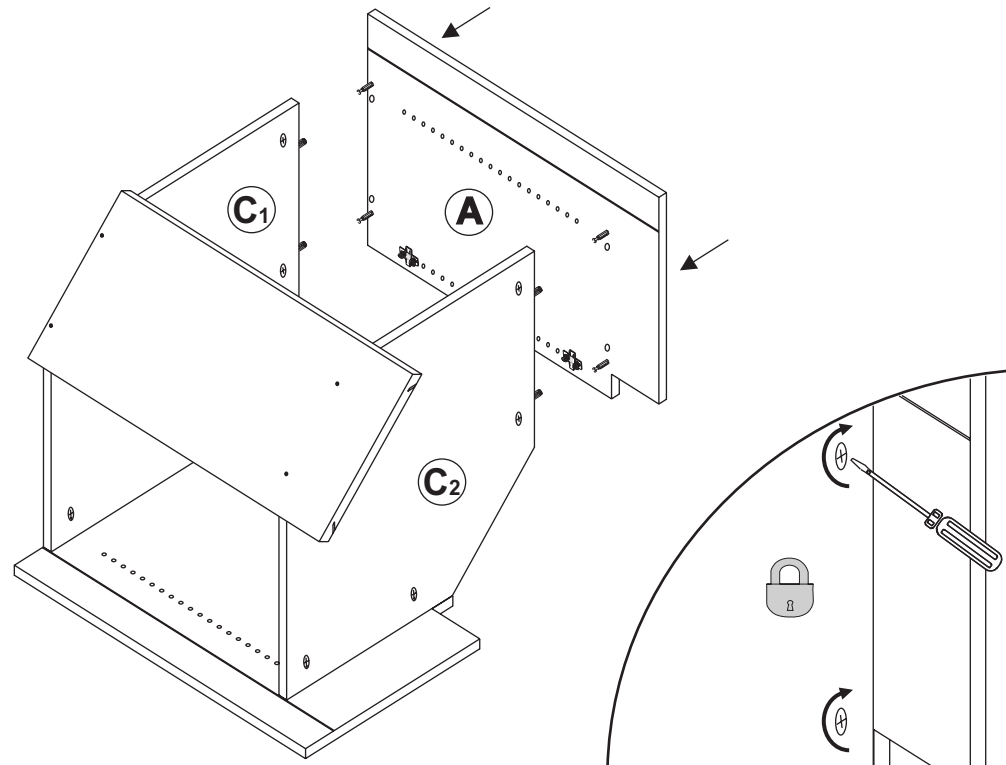


E → C1&2

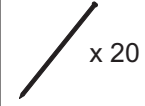


5

A → C1&2

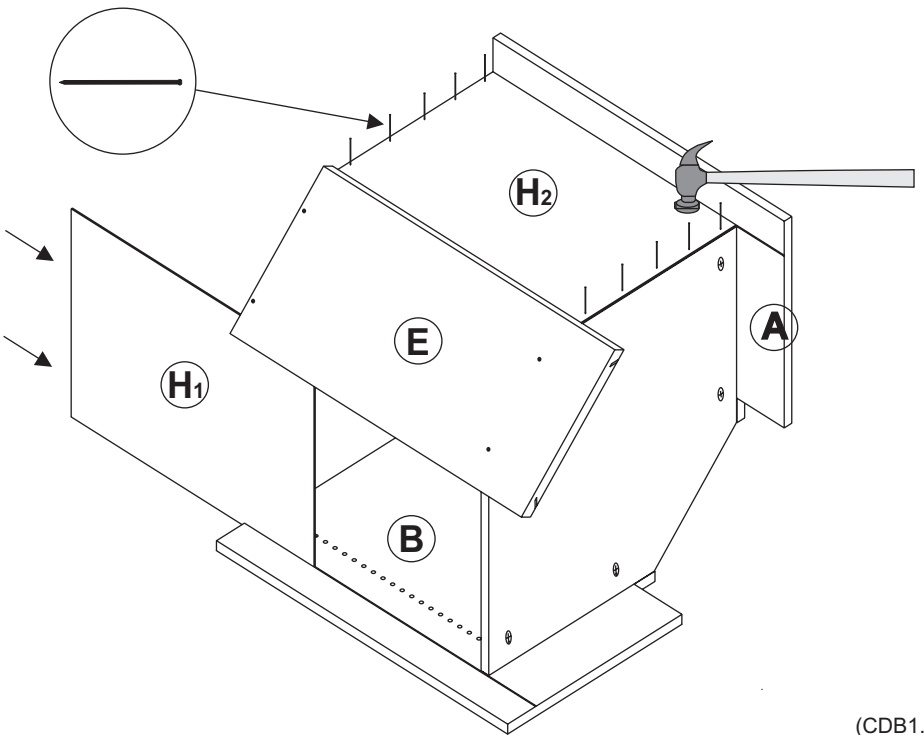


6

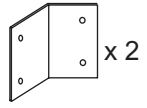


H1 → E, B

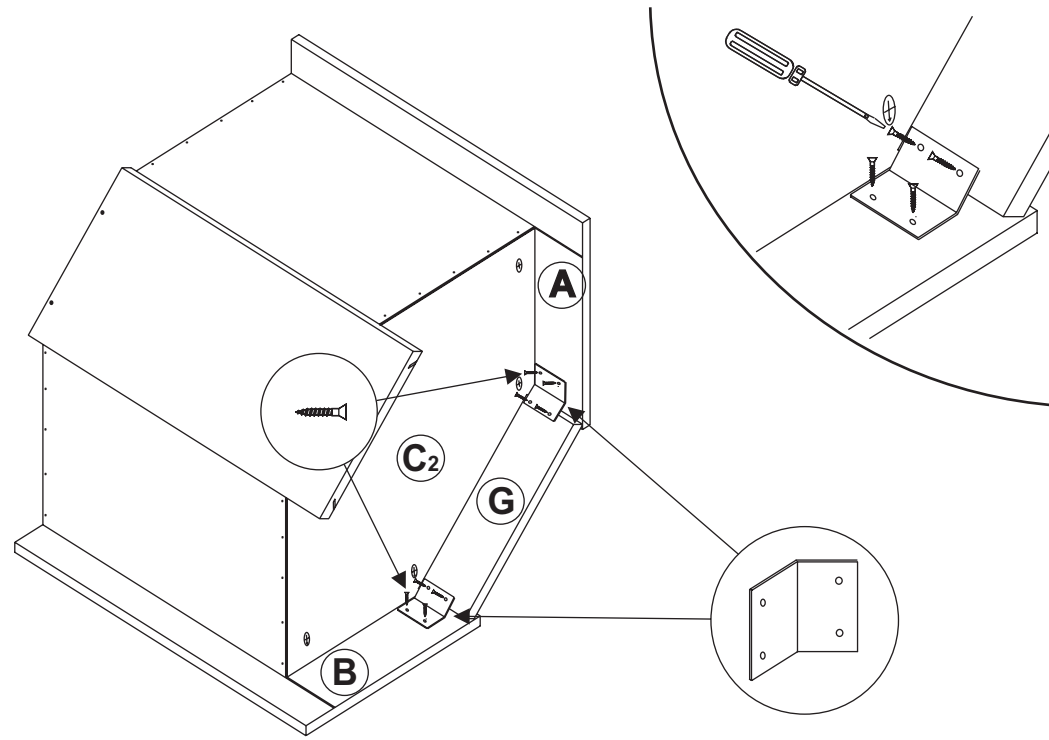
H2 → E, A



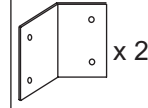
7



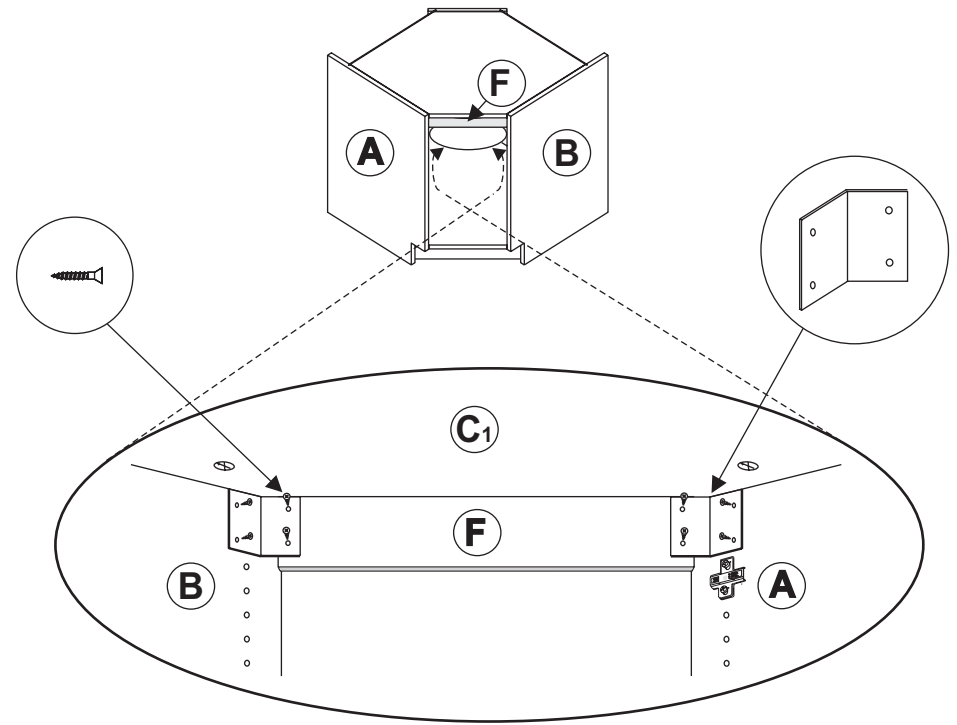
G → A, B & C2



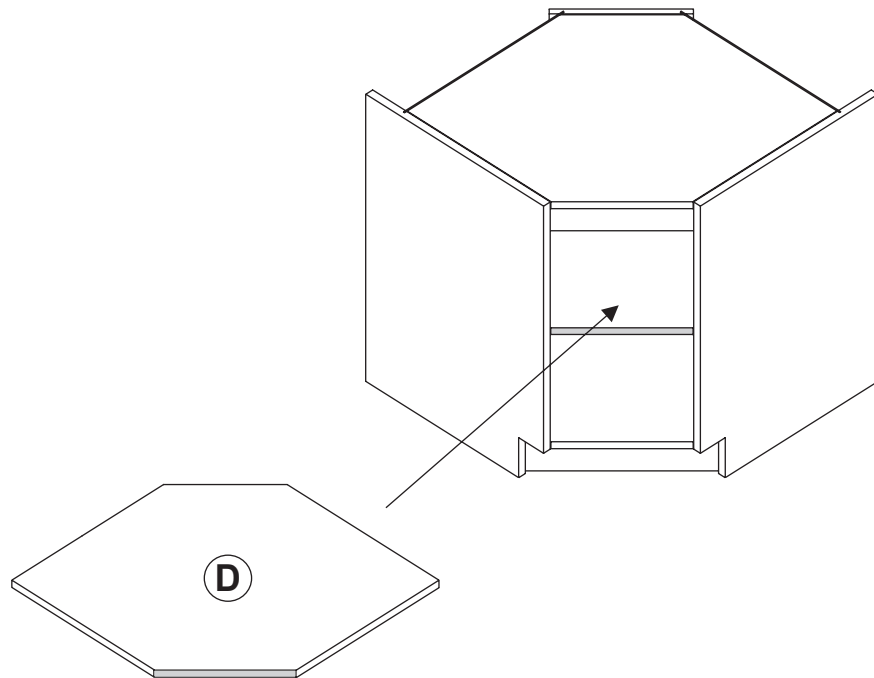
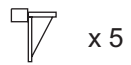
8



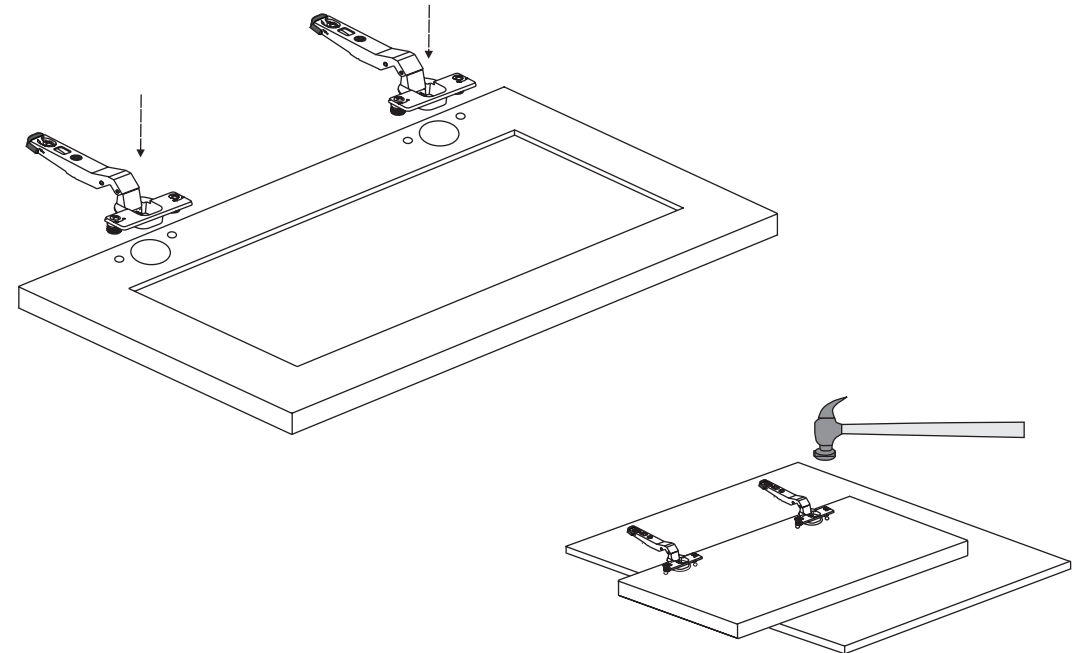
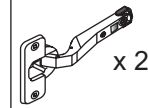
F → A, B & C1

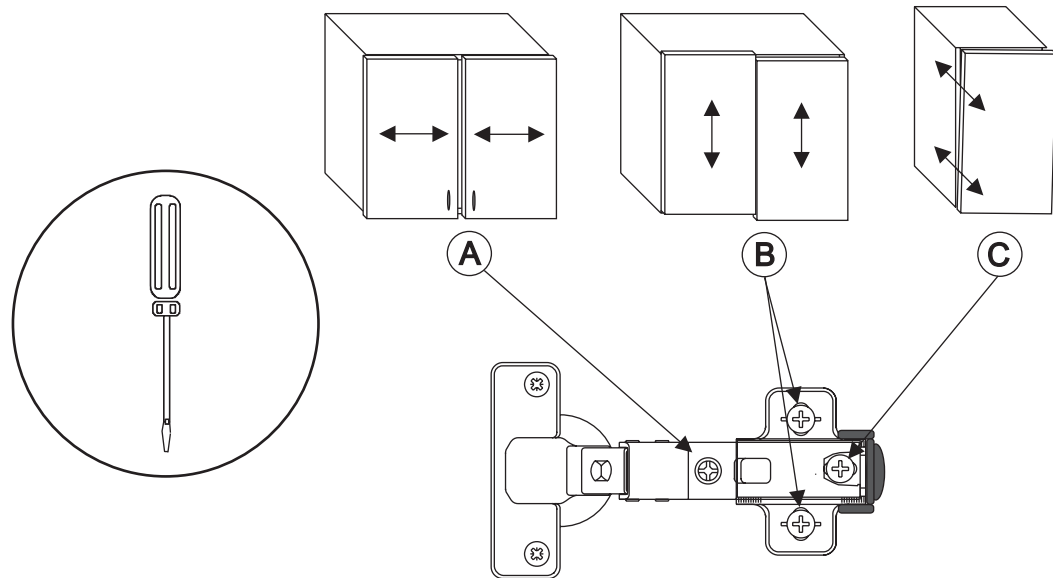
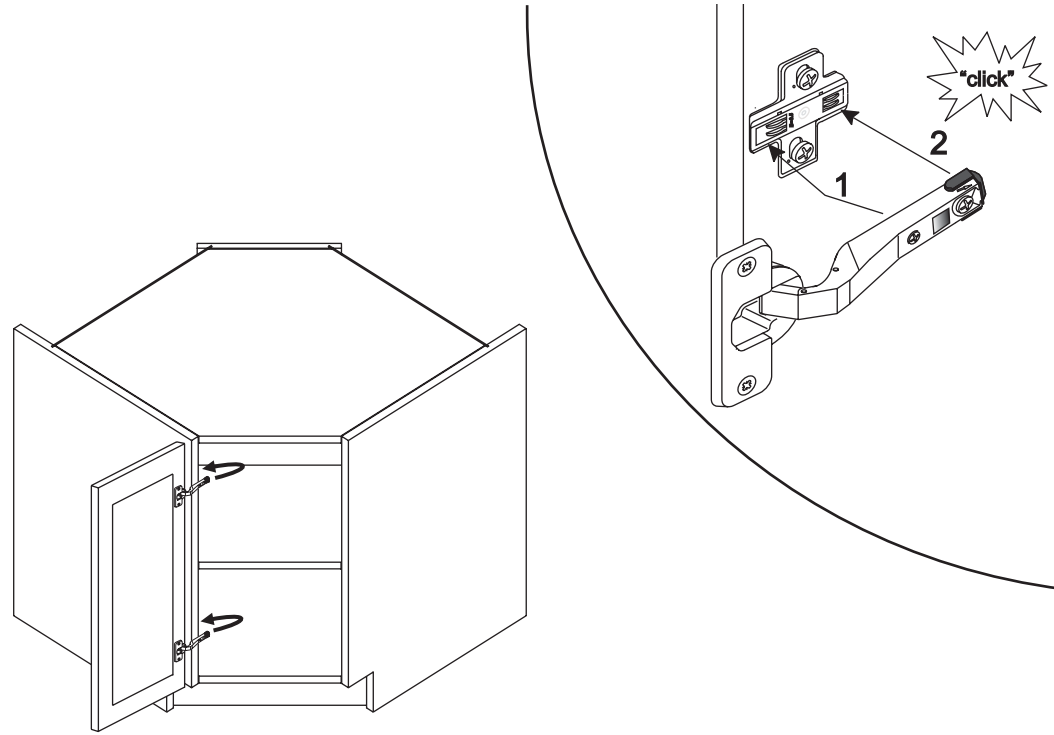


9



10





Thank you for choosing Euro-Rite!



Wood is a natural product that has its own characteristics and variations. Please enjoy the beauty of Euro-Rite's real wood doors.

Please contact Customer Service for Warranty Information Toll Free 1-888-464-5063 or email us CS@eurorite.com

Euro-Rite Cabinets Ltd.
www.euro-rite.com

