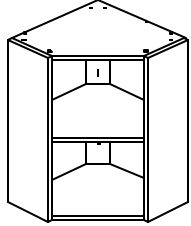


Assembly Instructions



Corner Wall Cabinet



12



05400030

8



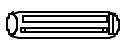
05400005

8



05400025

16

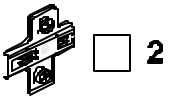


05400015

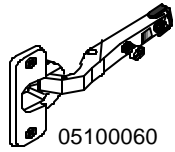
5 Per Adjustable Shelf (F)



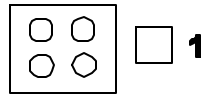
05500005



05100100

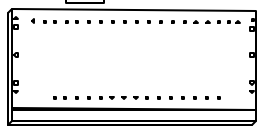


05100060



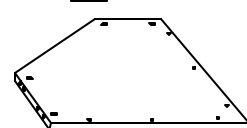
05500030

2-A



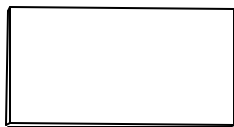
GABLE

2-B



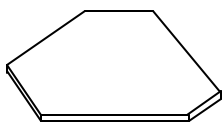
ASSEMBLY SHELF

2-C



BACKBOARD

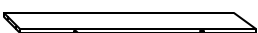
F



ADJUSTABLE SHELF

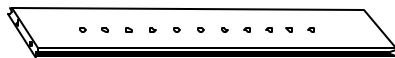
1 - 24"H
2 - 30"H
3 - 42"H

4-D



CORNER SCREW RAILS

1-E



BACKLEG

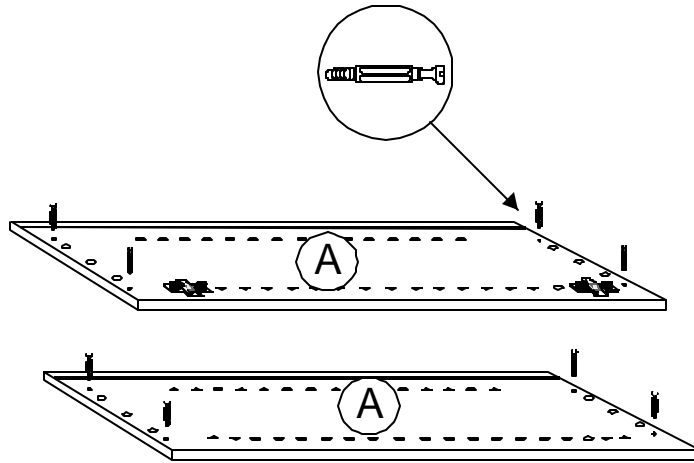
1



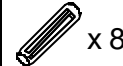
x 8



x 2



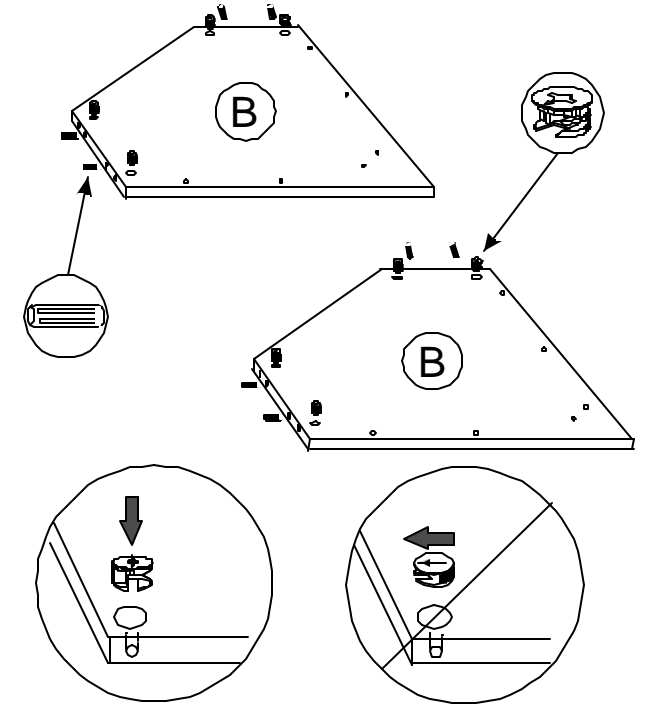
2



x 8



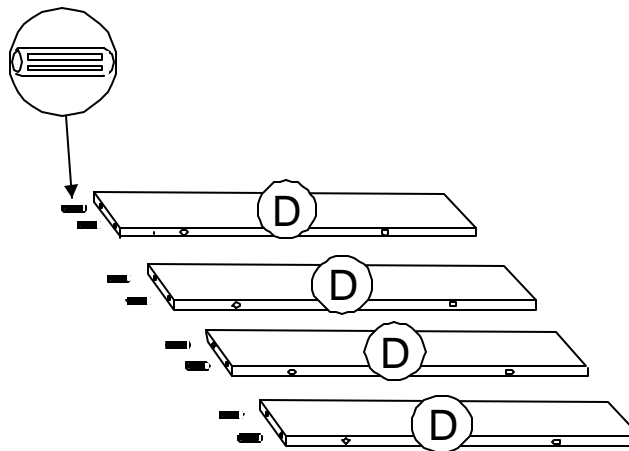
x 8



3



x 8

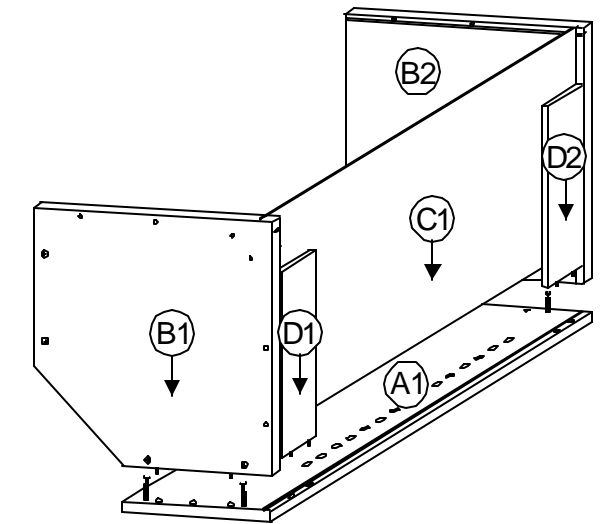


4

B1&2 → A1

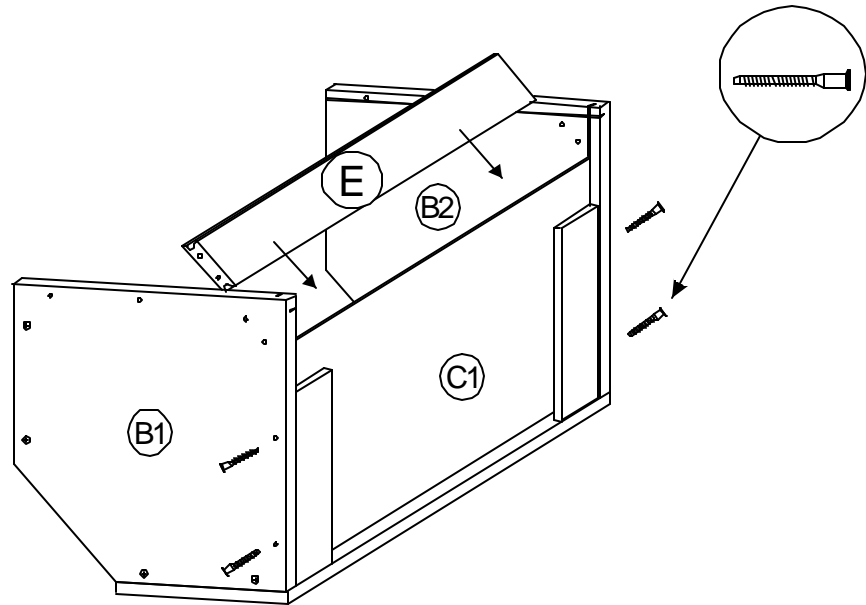
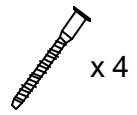
D1&2 → A1

C1 → A1



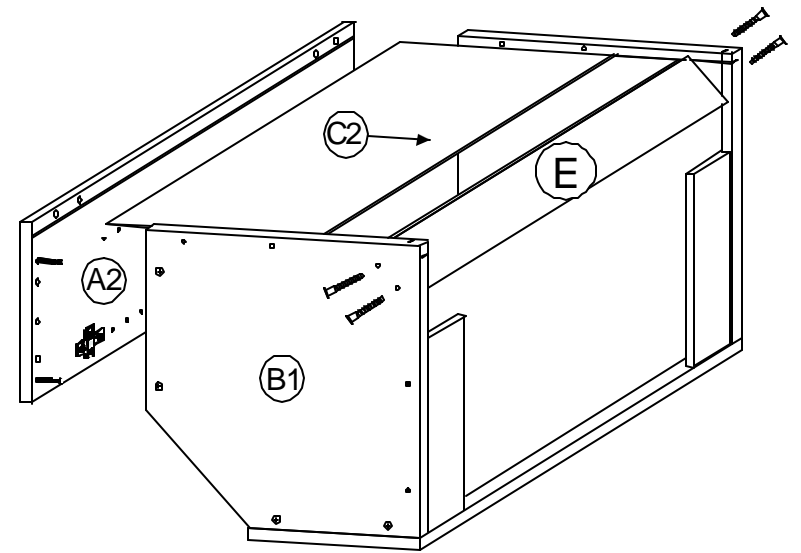
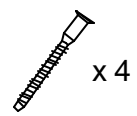
3

E → B1&2
&C1



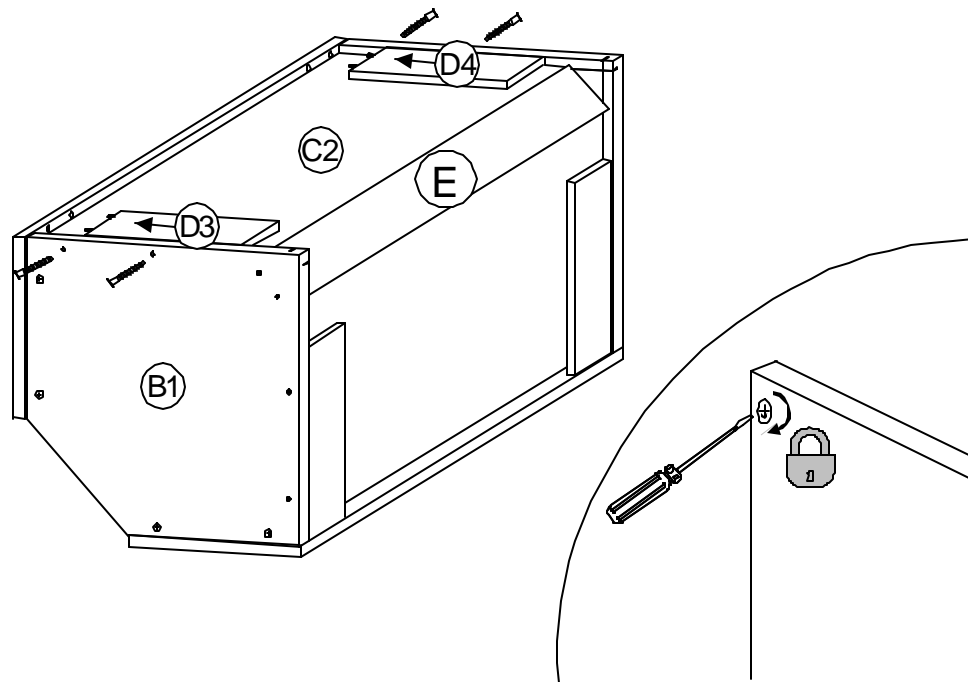
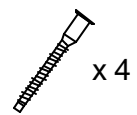
4

C2 → E
A2 → B1&2

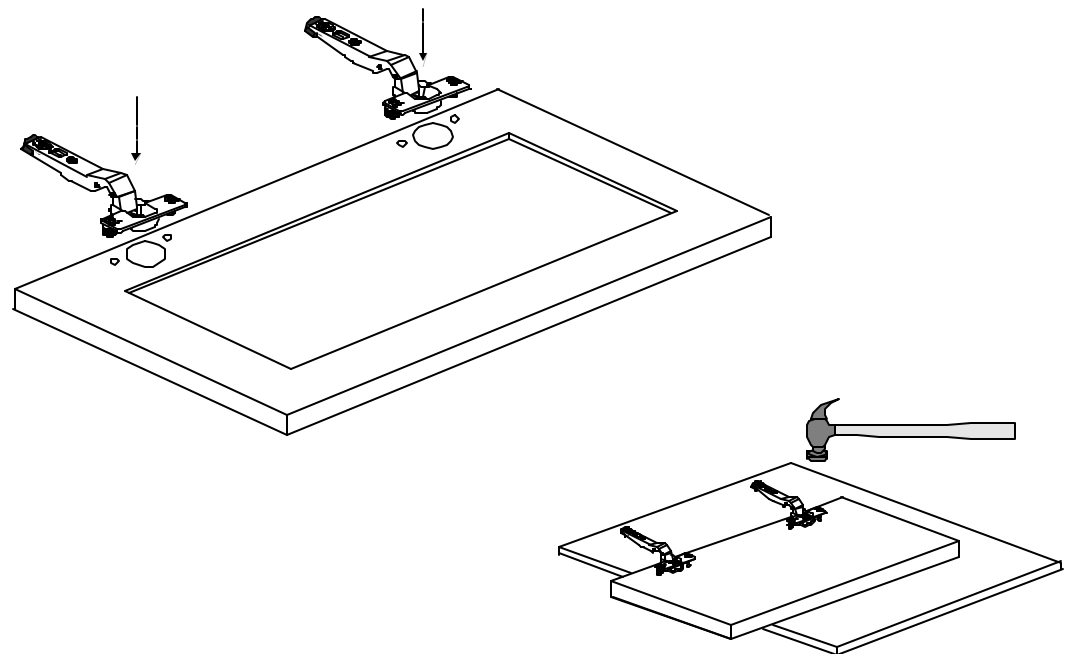


5

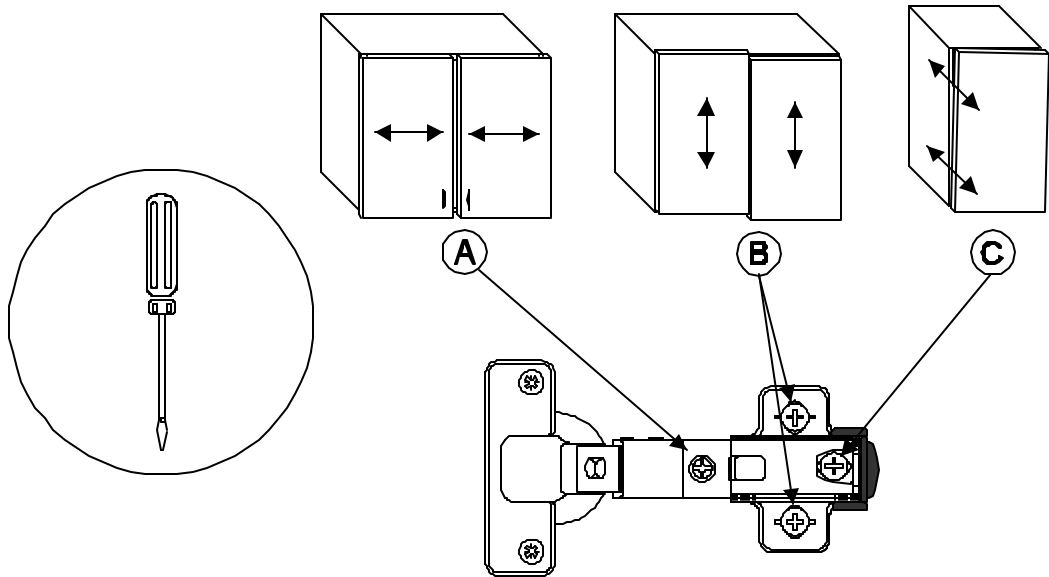
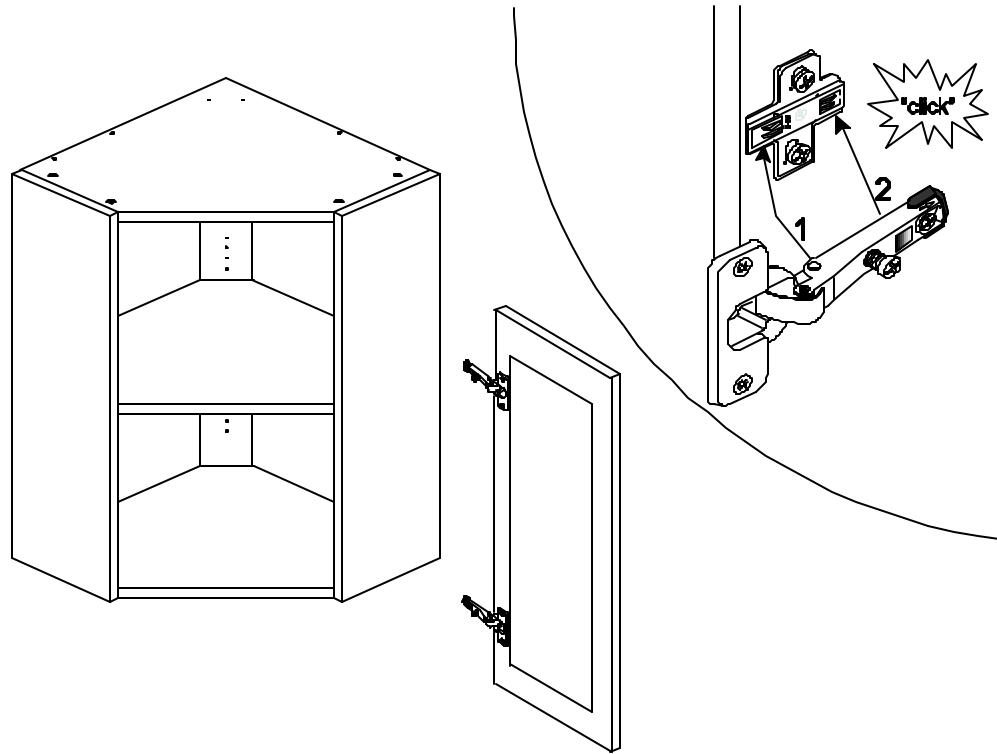
D3&4 → A2



6



7



Thank you for choosing Euro-Rite!



Wood is a natural product that has its own characteristics and variations. Please enjoy the beauty of Euro-Rite's real wood doors.

Please contact Customer Service for Warranty Information Toll Free 1-888-464-5063 or email us CS@eurorite.com

Euro-Rite Cabinets Ltd.
www.euro-rite.com

