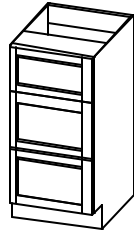


## Assembly Instructions

Desk Drawer Bank

DDB15



8



05400005

8



05400025

8



05400015

24



05400090

3



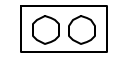
05300075

3



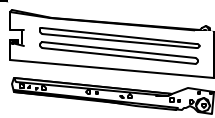
05300070

3



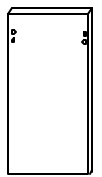
05500025

2-149mm 05300035  
4-85mm 05300020



3-E

DRAWER  
BOTTOM

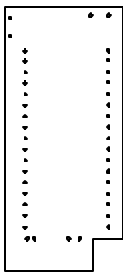


3-F

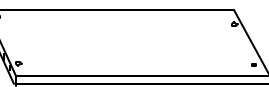
DRAWERBACK

2-A

GABLE



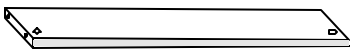
1-B



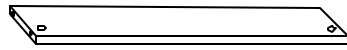
BASEASSEMBLYSHELF

1-C

FRONTRAIL

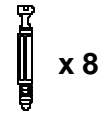


1-D



BACKRAIL

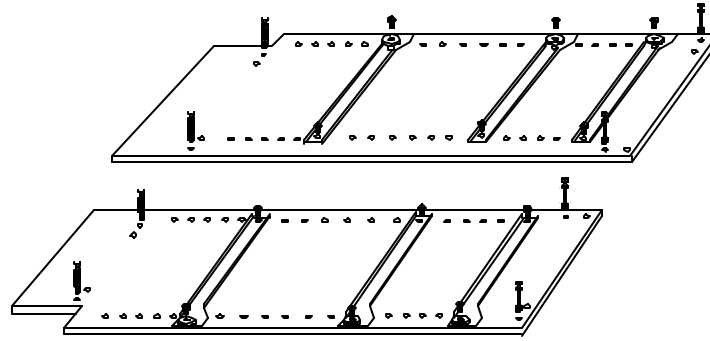
### 1.



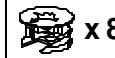
x 8



x12



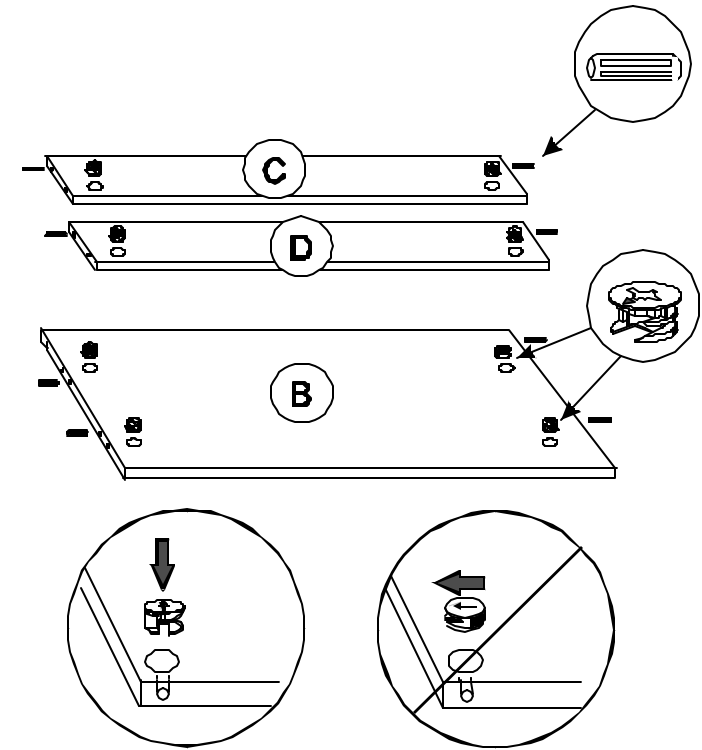
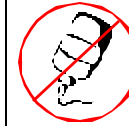
### 2.



x 8



x 8



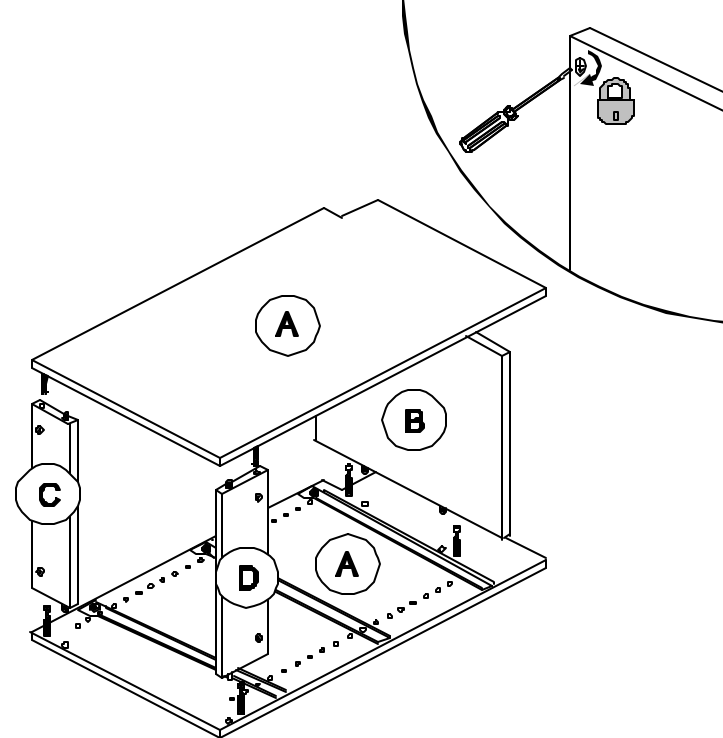
### 3.

B → A

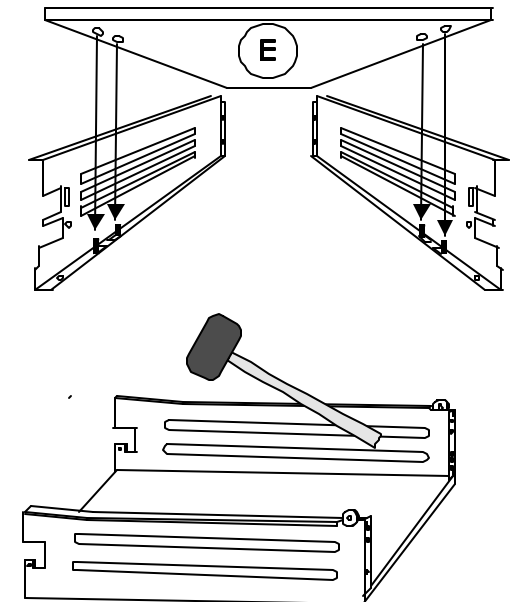
C → A

D → A

A → B,C,D

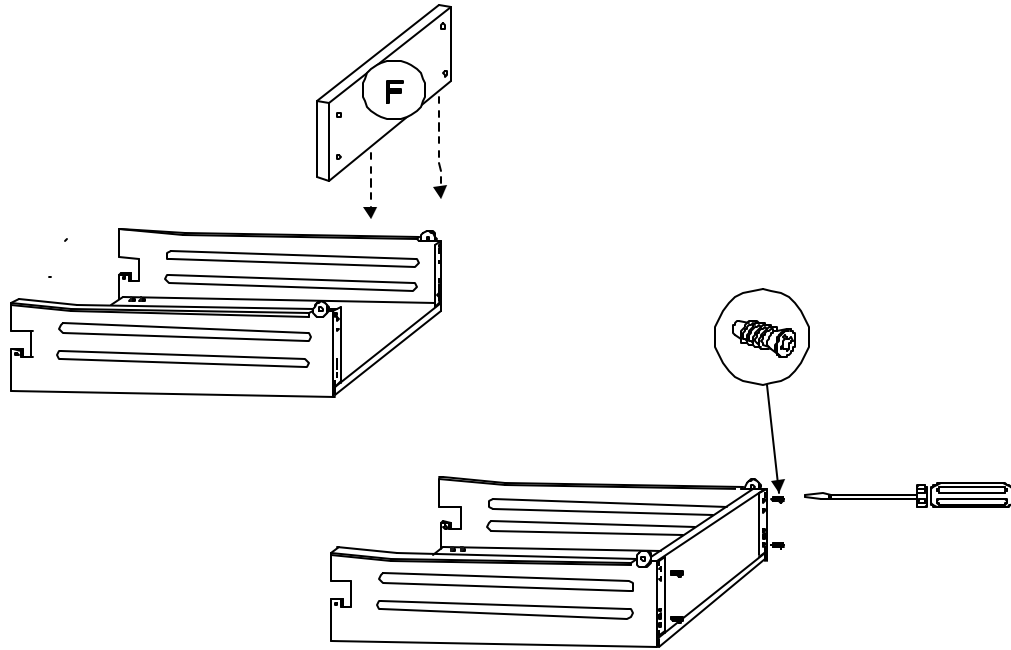


### 4.

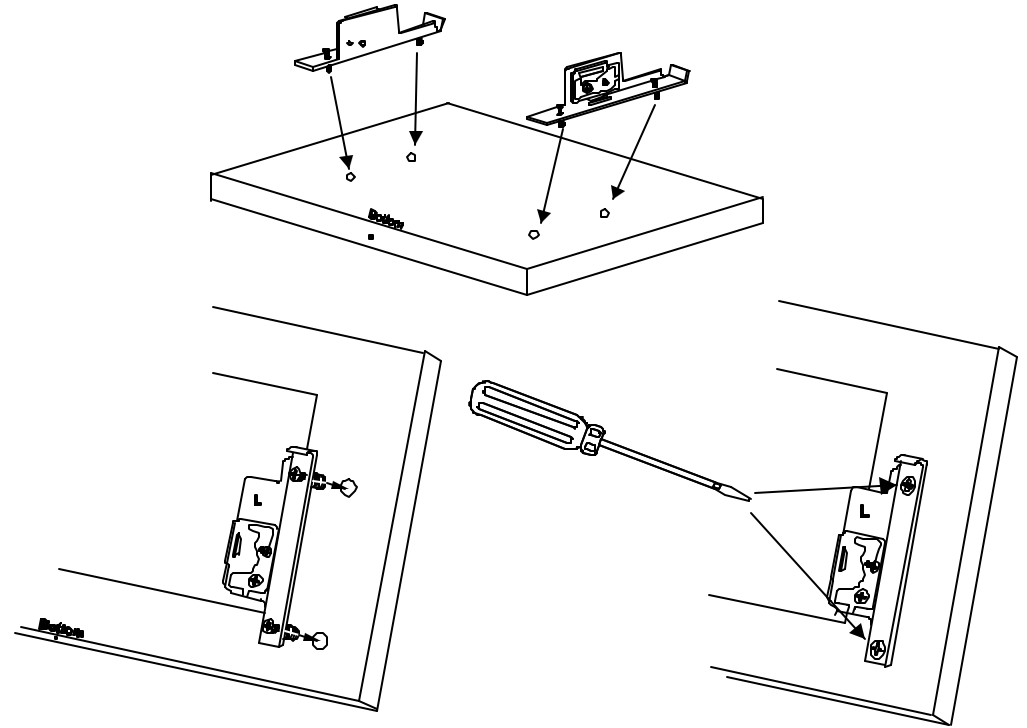
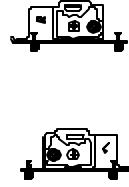


5.

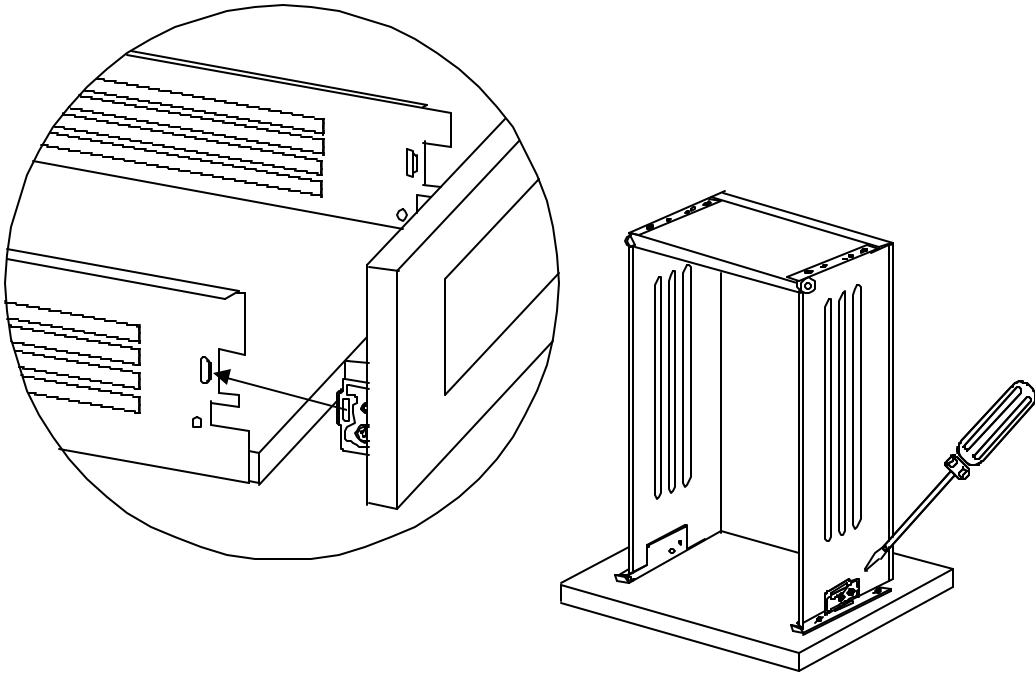
x12



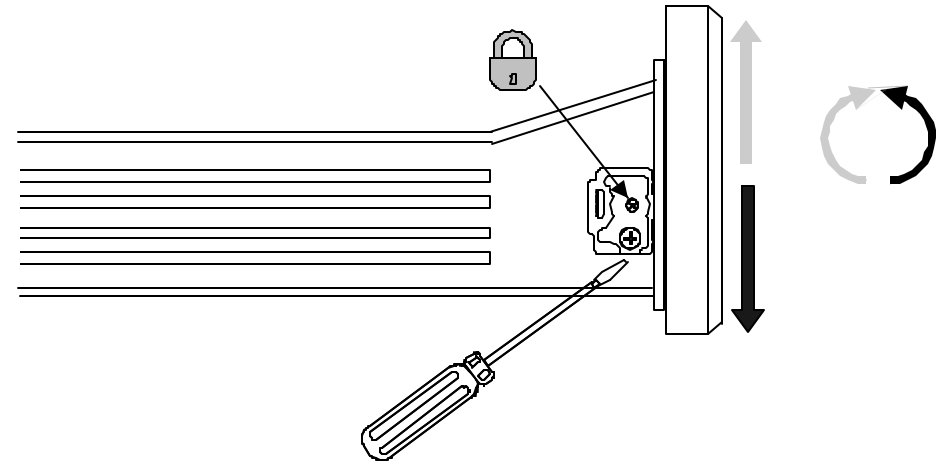
6.



7.



8.



Please contact Customer Service for Warranty Information  
Toll Free 1-888-464-5063 or email [usCS@eurorite.com](mailto:usCS@eurorite.com)