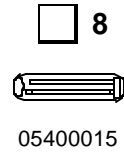
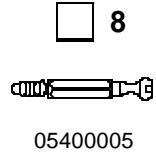
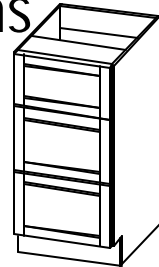
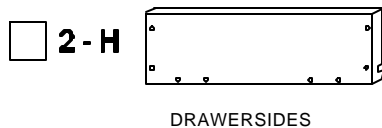
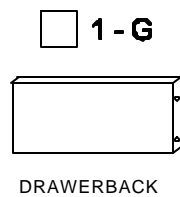
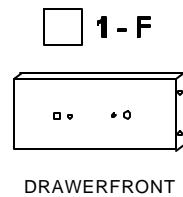
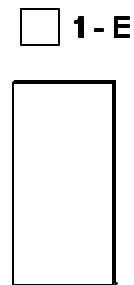
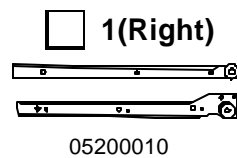
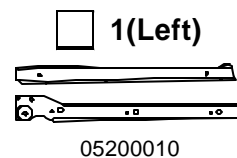
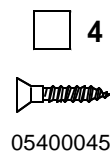
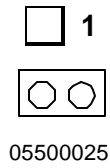
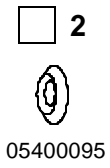
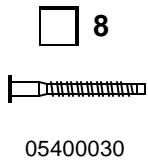


# Assembly Instructions

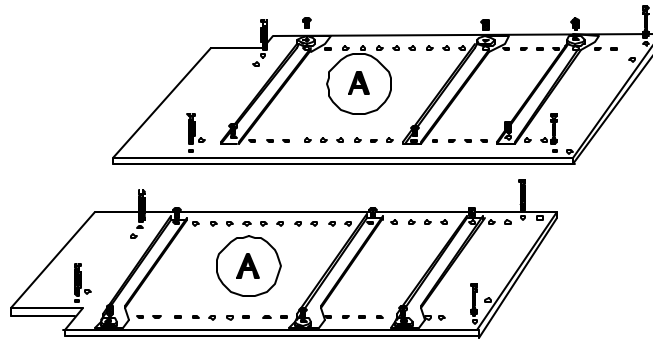
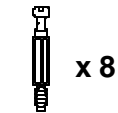
Desk Drawer Bank  
 DDB15



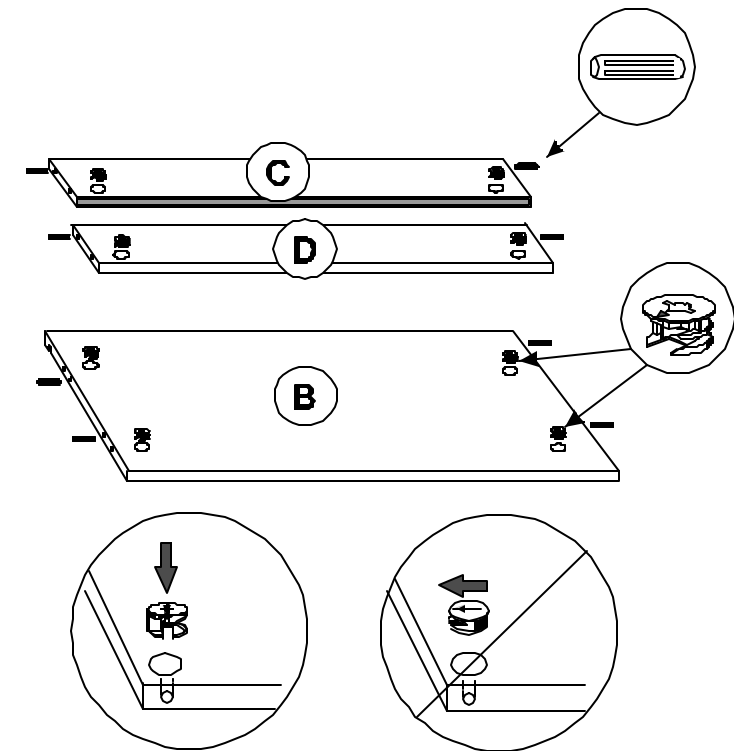
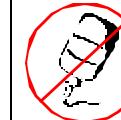
## DRAWERBOXPARTS&HARDWARE(perDrawer)



**1.**

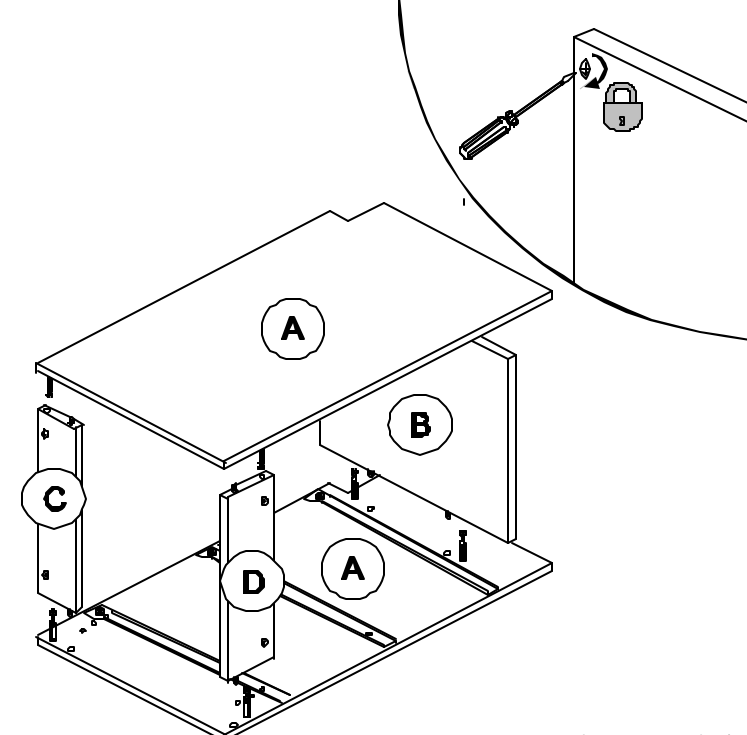
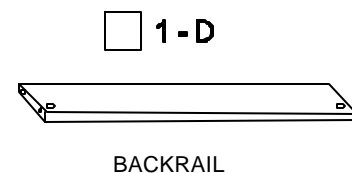
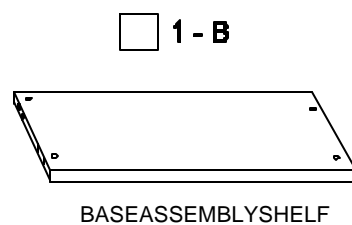
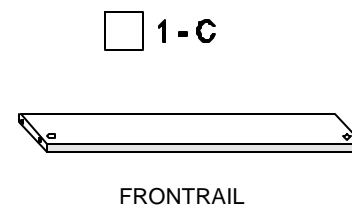
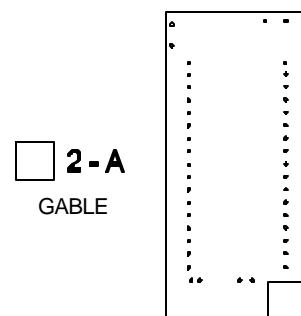


**2.**



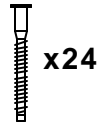
**3.**

- B → A
- C → A
- D → A
- A → B, C, D

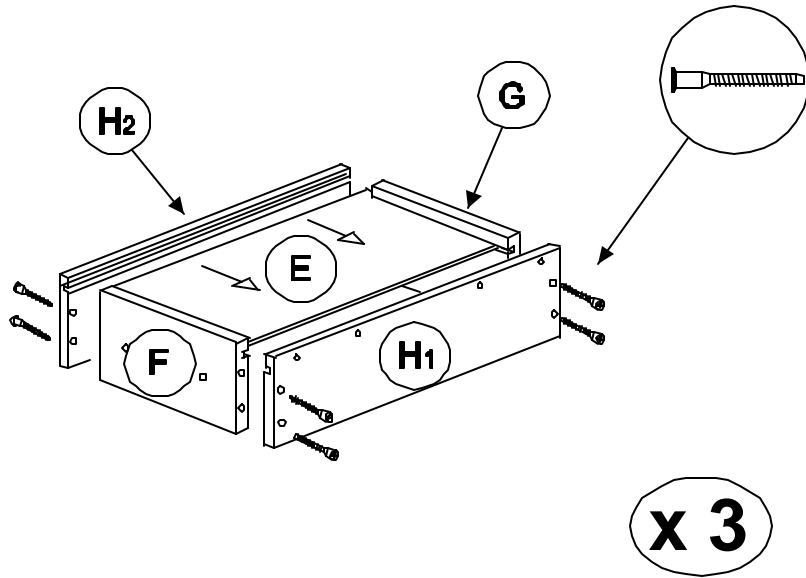


4.

**DRAWER BOX ASSEMBLY**

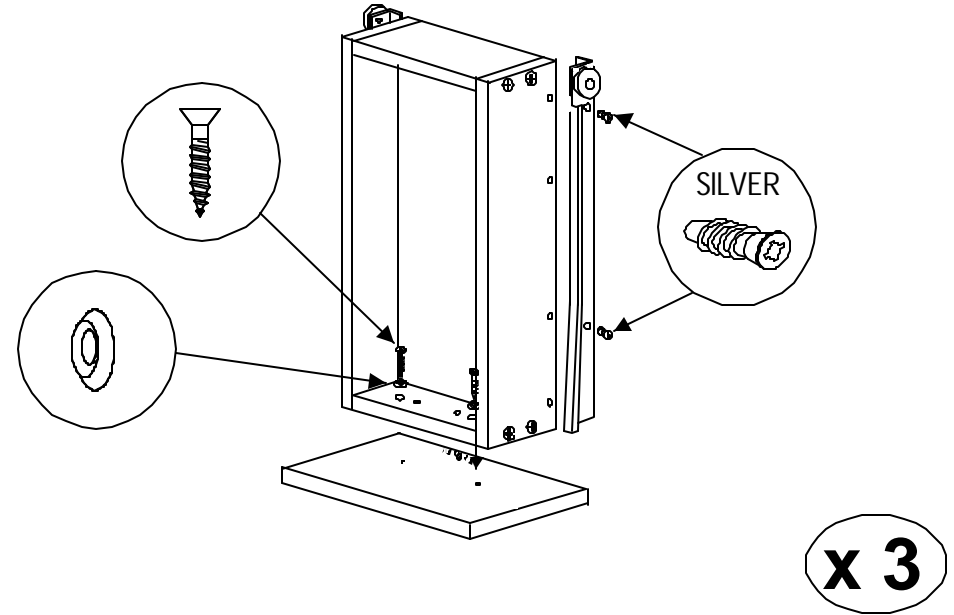
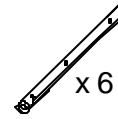


- F → H1
- G → H1
- E → F,G,H1
- H2 → E,F,G

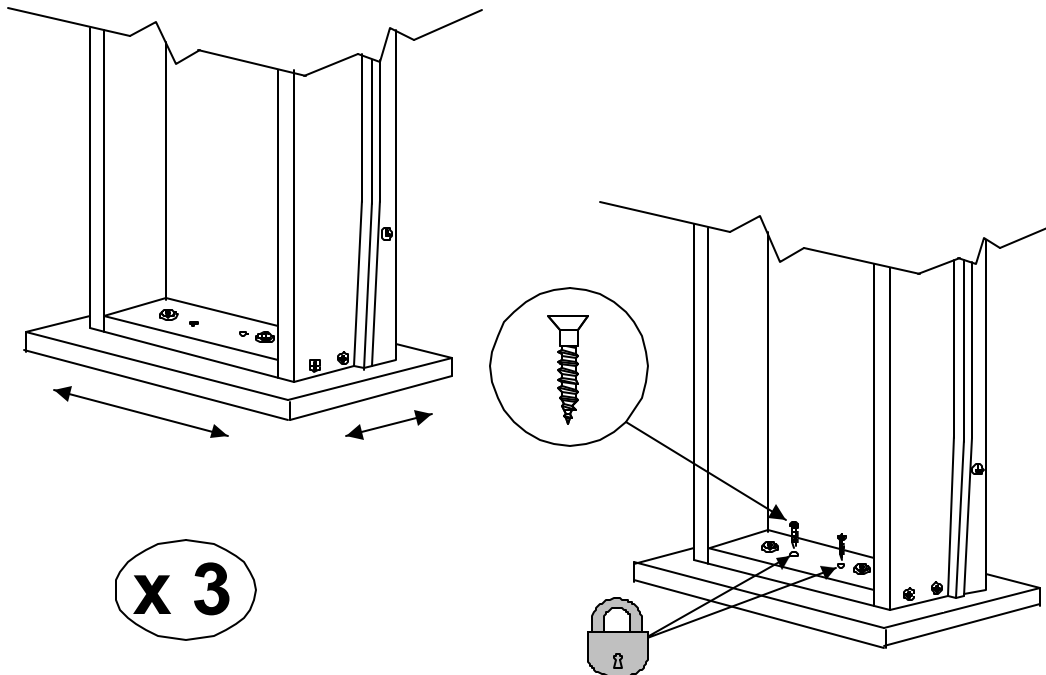


5.

SILVER  
x12

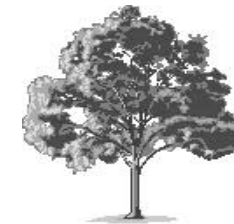


6.



Thank you for choosing Euro-Rite!

Euro-Rite offers a series of real wood doors which may show occasional knots or light colour variation from door to door. These naturally occurring variations give Euro-Rite wood doors a truly unique beauty and character.



Please contact Customer Service for Warranty Information Toll Free 1-888-464-5063 or email us CS@eurorite.com