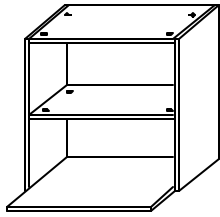


Assembly Instructions



Microwave Wall Cabinet



12 05400005	12 05400025	24 05400015	4 05500005	42" High Only
-----------------------	-----------------------	-----------------------	----------------------	----------------------

2-A

MICROWAVE GABLE

1-B

MICROWAVE BOTTOM ASSEMBLY SHELF

1-C

TOP ASSEMBLY SHELF

1-D

MIDDLE ASSEMBLY SHELF

3-E

SCREW RAILS

1-F

BACKBOARD

1-G

ADJUSTABLE SHELF

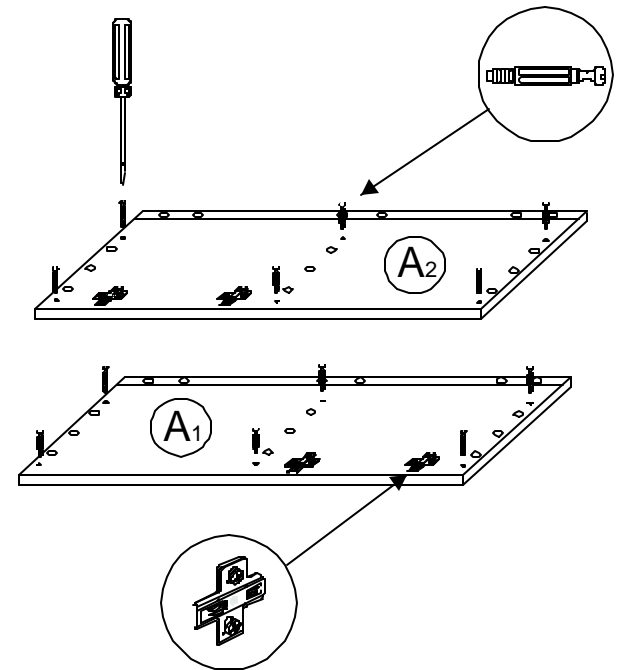
Packaged inside DOOR PACK

4 05100100	4 05100055	1 05500025
----------------------	----------------------	----------------------

1

x12

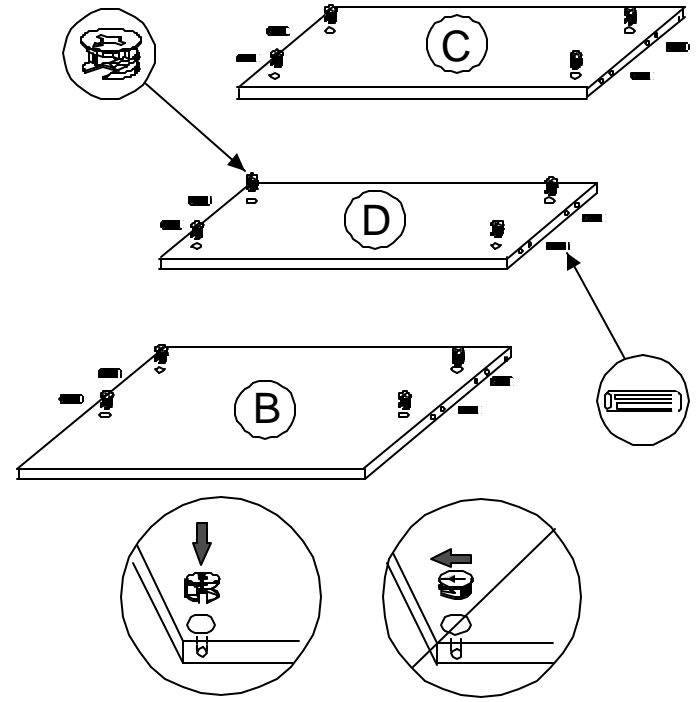
x4



2

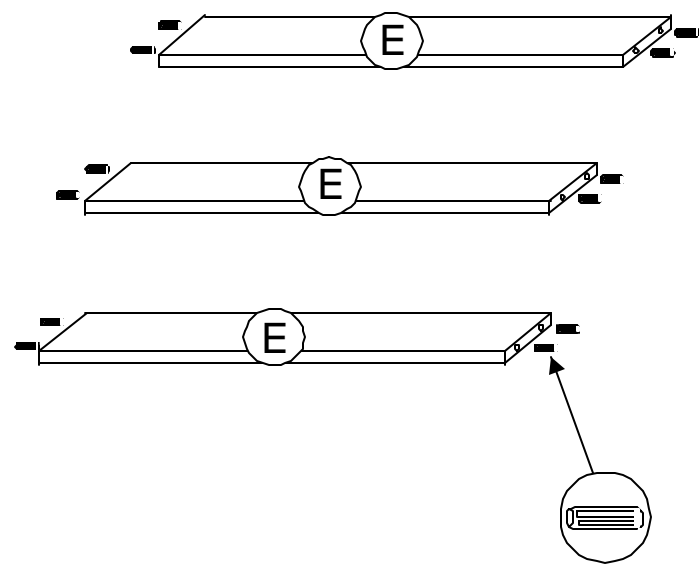
x12

x12



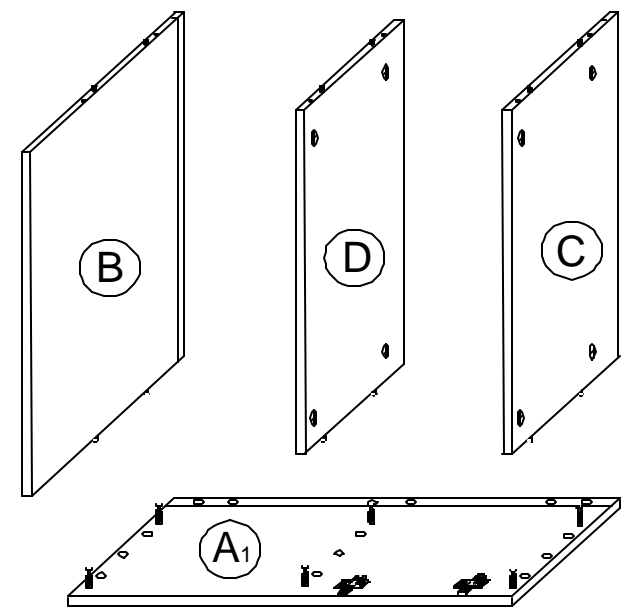
3

x12



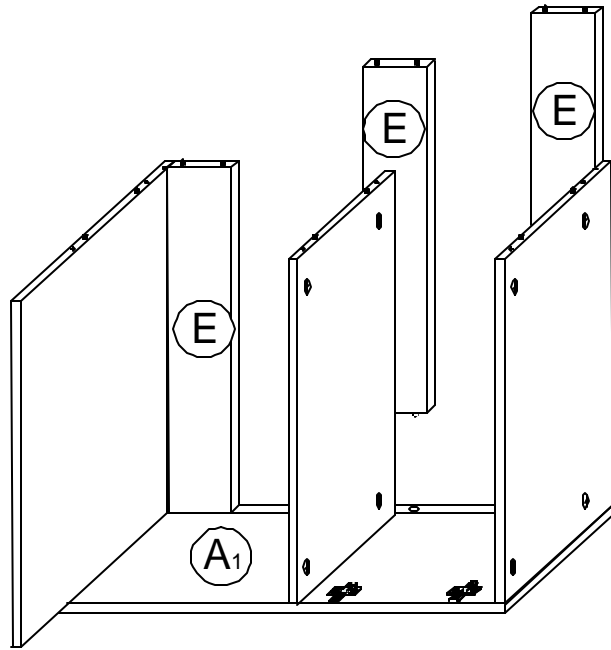
4

B → A1
C → A1
D → A1



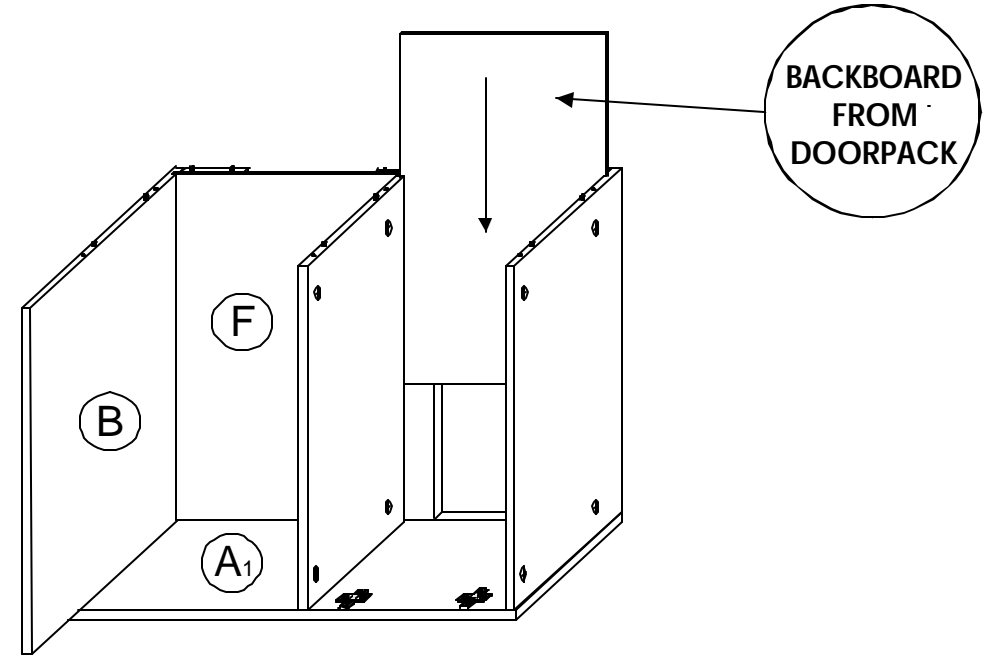
5

E x3 → A1



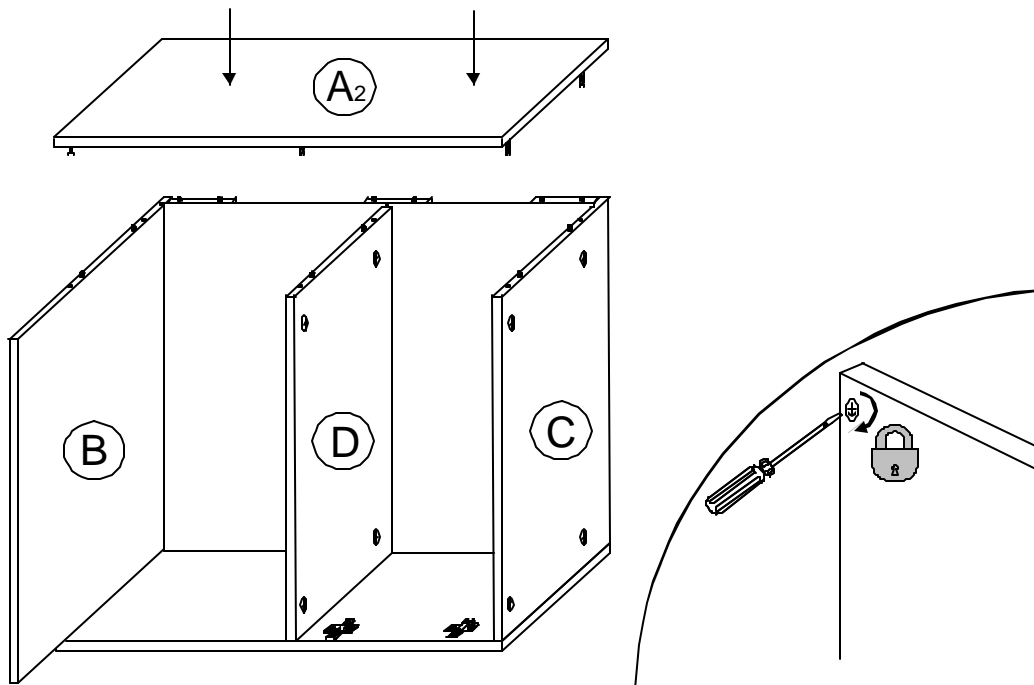
6

F → A1
→ B

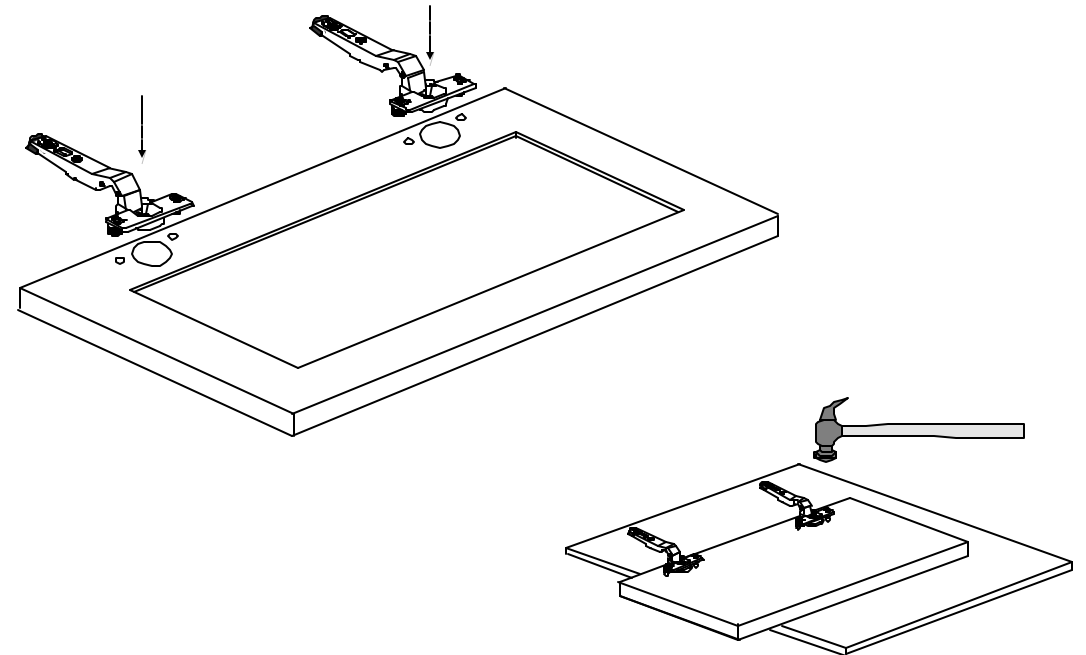


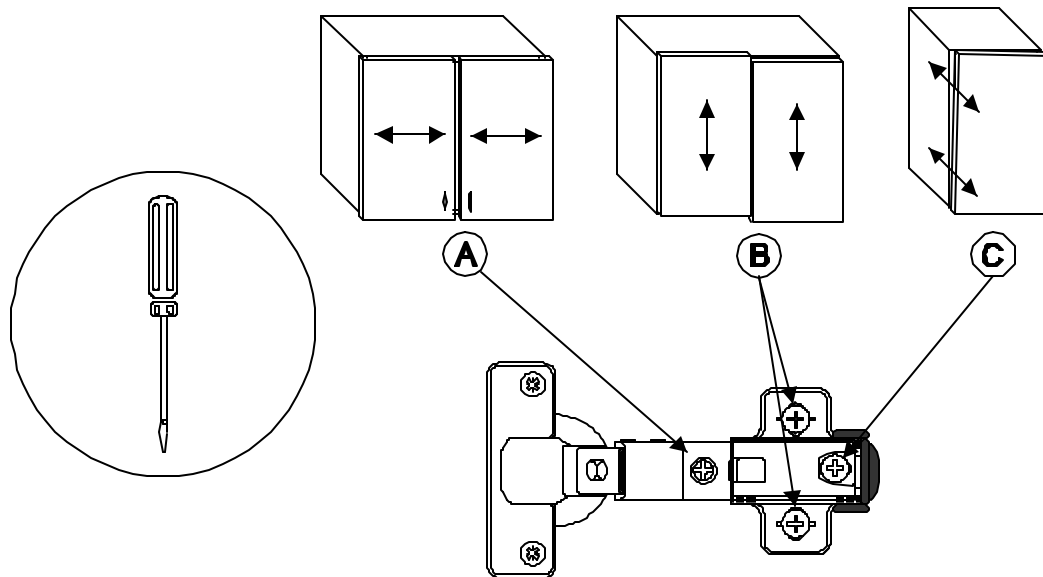
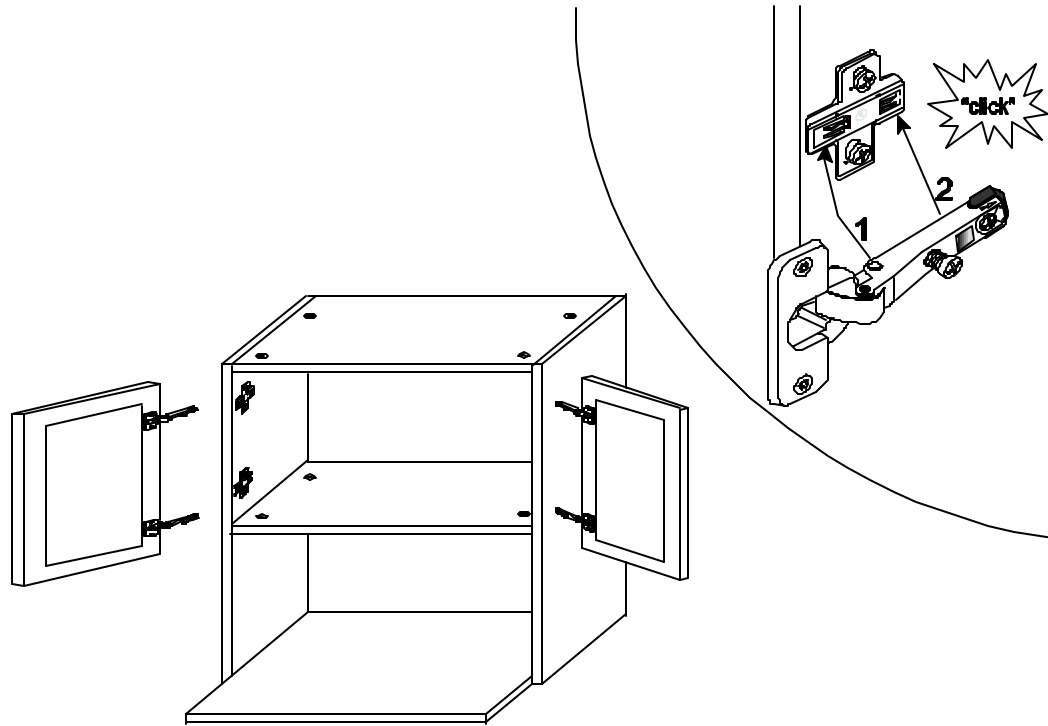
7

A2 → B
→ C
→ D
→ E x3



8





Thank you for choosing Euro-Rite!



Euro-Rite offers a series of real wood doors which may show occasional knots or slight colour variation from door to door. These naturally occurring variations give Euro-Rite wood doors a truly unique beauty and character.

Please contact Customer Service
for Warranty Information Toll Free
1-888-464-5063 or email us CS@eurorite.com