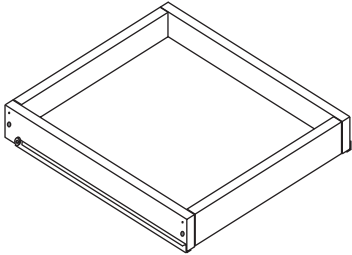


Assembly Instructions



Cabinet Pull Out Drawer

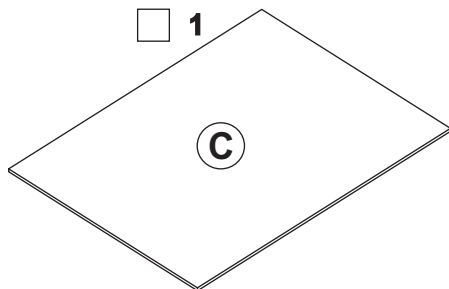
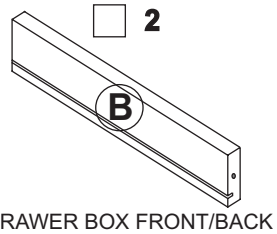
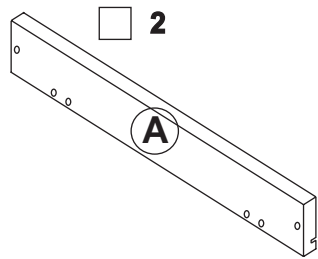
POD18
POD24
POD30



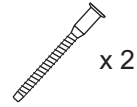
<input type="checkbox"/> 4 0540 0030	<input type="checkbox"/> 8 0540 0090	<input type="checkbox"/> 8 0540 0040	<input type="checkbox"/> 4 0540 0100
---	---	---	---

<input type="checkbox"/> 1 RIGHT CABINET SLIDE	<input type="checkbox"/> 1 RIGHT DRAWER SLIDE	<input type="checkbox"/> 4 0560 0025
---	--	---

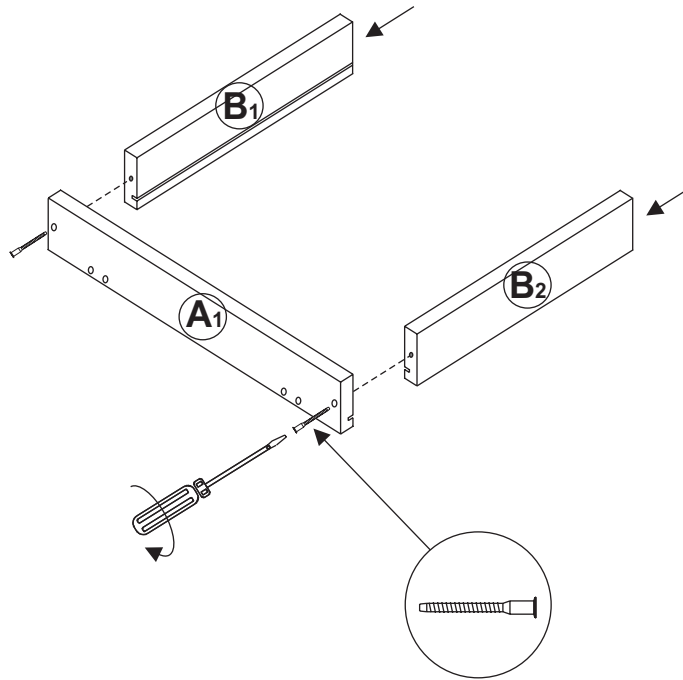
<input type="checkbox"/> 1 LEFT CABINET SLIDE	<input type="checkbox"/> 1 LEFT DRAWER SLIDE	<input type="checkbox"/> 4 0520 0015
--	---	---



1

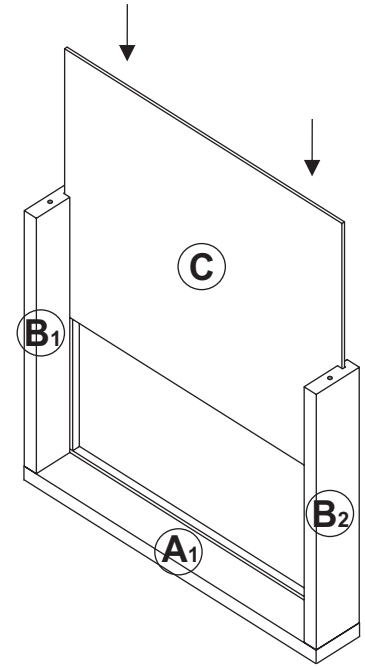


B1 → A1
B2 → A1

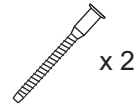


2

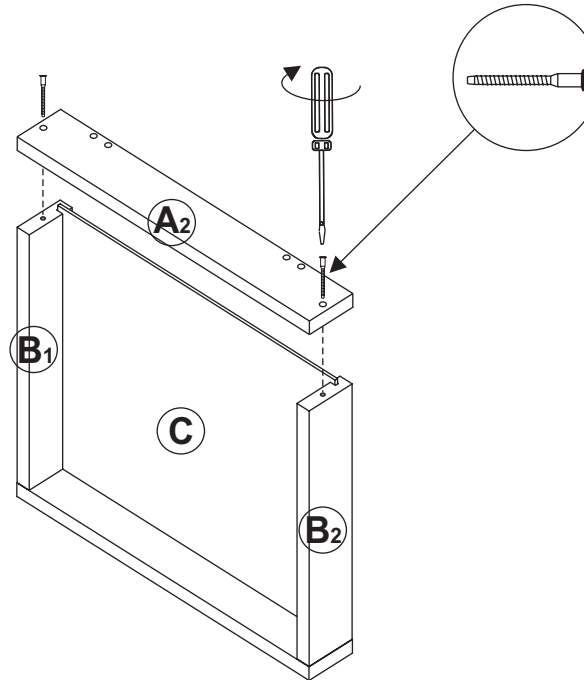
C → B1&2
C → A1



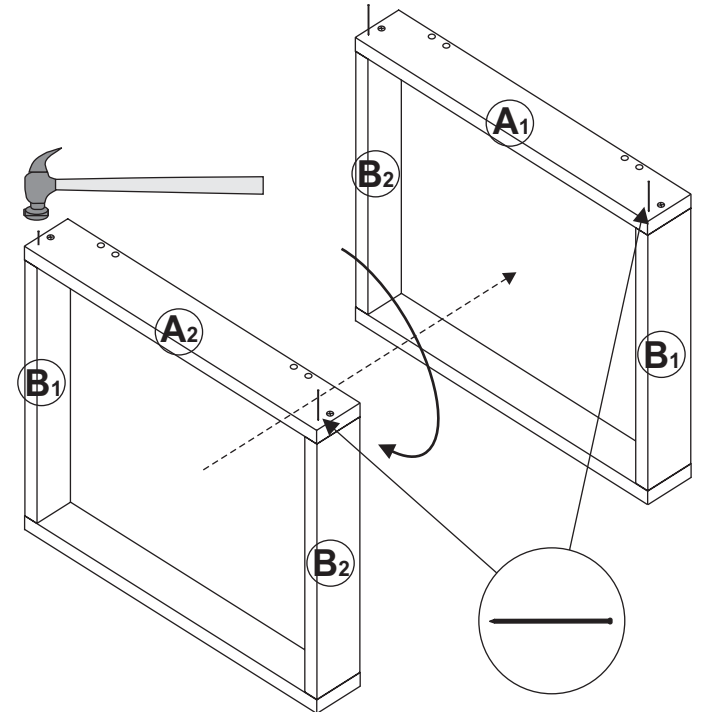
3



A1 → B1&2,
C



4

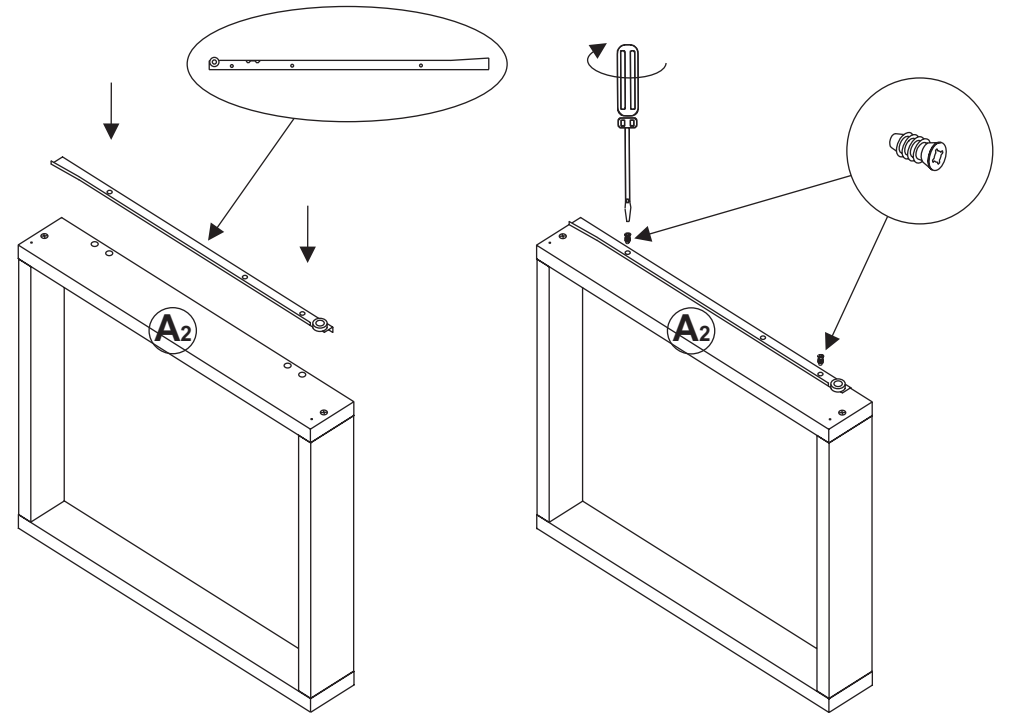
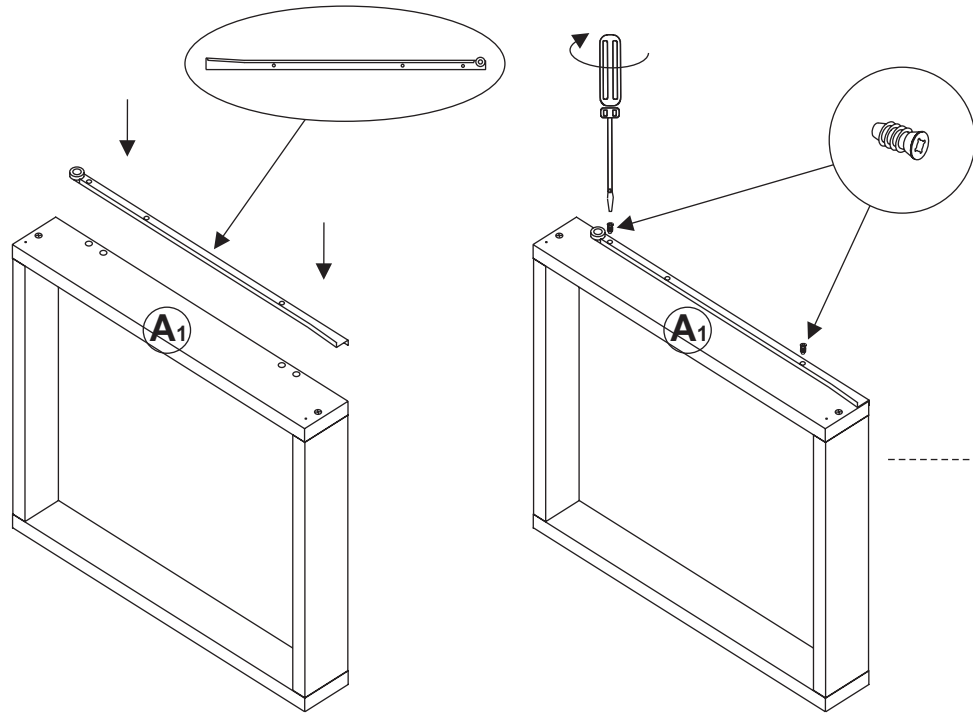


5

x 4

x 1

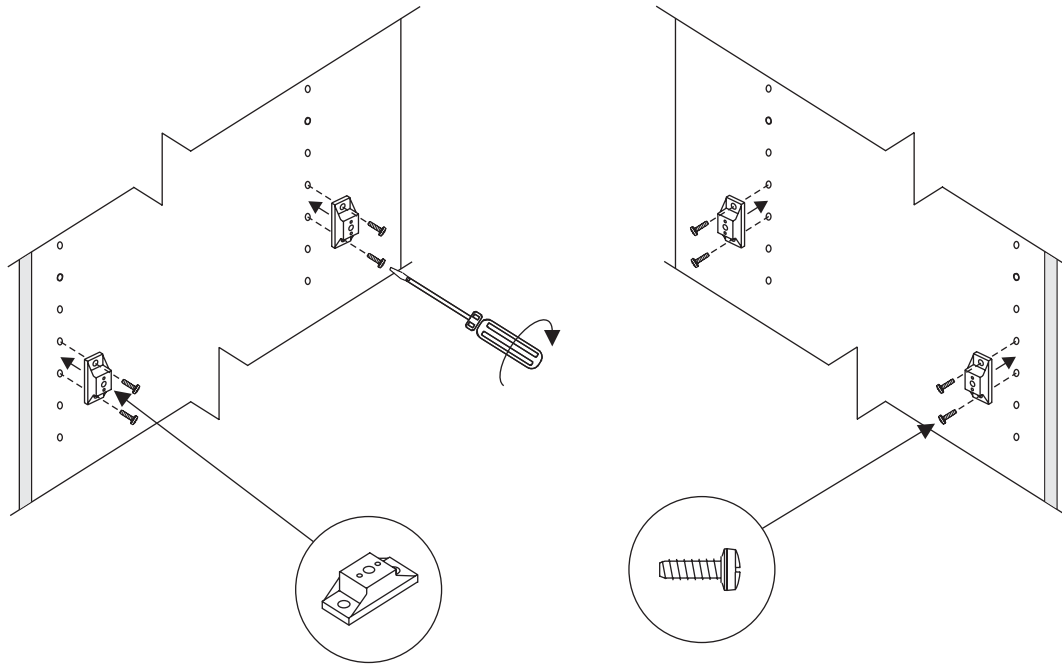
x 1



6

x 4

x 8



7

x 4

x 1

x 1

