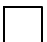









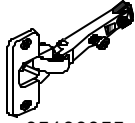



Assembly Instructions







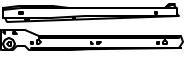

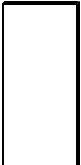
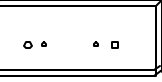
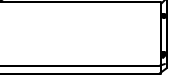
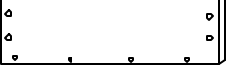
Cabinet Hardware

 	<input type="checkbox"/> 10  05400005	<input type="checkbox"/> 10  05400025	<input type="checkbox"/> 10  05400015
<input type="checkbox"/> 2 	<input type="checkbox"/> 2  05400095	<input type="checkbox"/> 2  05500015	<input type="checkbox"/> 4  05500005

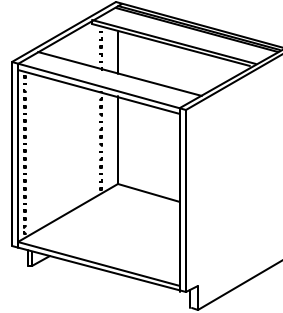
Packaged inside DOORPACK

<input type="checkbox"/> 2 per door  05100100	<input type="checkbox"/> 2 per door  05100055	<input type="checkbox"/> 1 per door  05500025
--	--	--

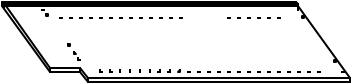
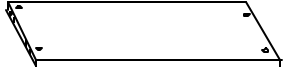

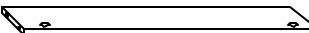
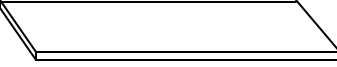

Drawer Box Parts (PER DRAWER) Inside Door Pack

<input type="checkbox"/> 2  05400095	<input type="checkbox"/> 8  05400030	<input type="checkbox"/> 4  GOLD 05400090	<input type="checkbox"/> 4  SILVER 05400035	<input type="checkbox"/> 1  05500025
<input type="checkbox"/> 4  05400045	<input type="checkbox"/> 1 (Left)  05200010	<input type="checkbox"/> 1 (Right)  05200010	<input type="checkbox"/> 1-F Drawer Bottom 	
<input type="checkbox"/> 1-G  DrawerFront	<input type="checkbox"/> 1-H  DrawerBack	<input type="checkbox"/> 2-I  DrawerSides		

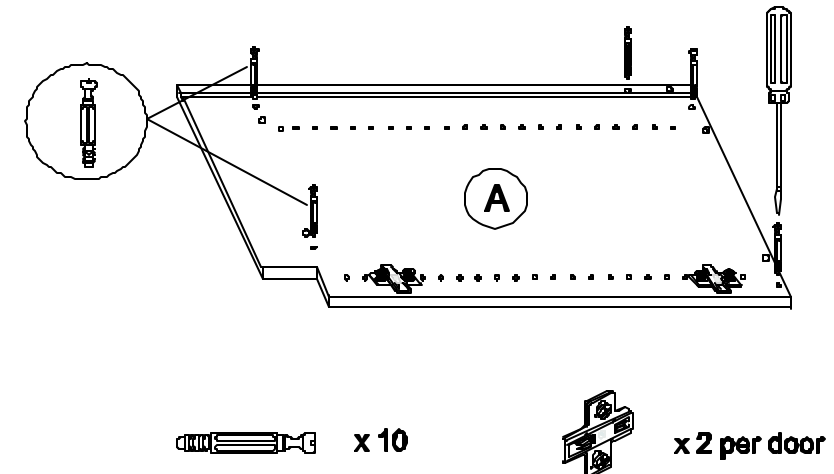
Universal Base



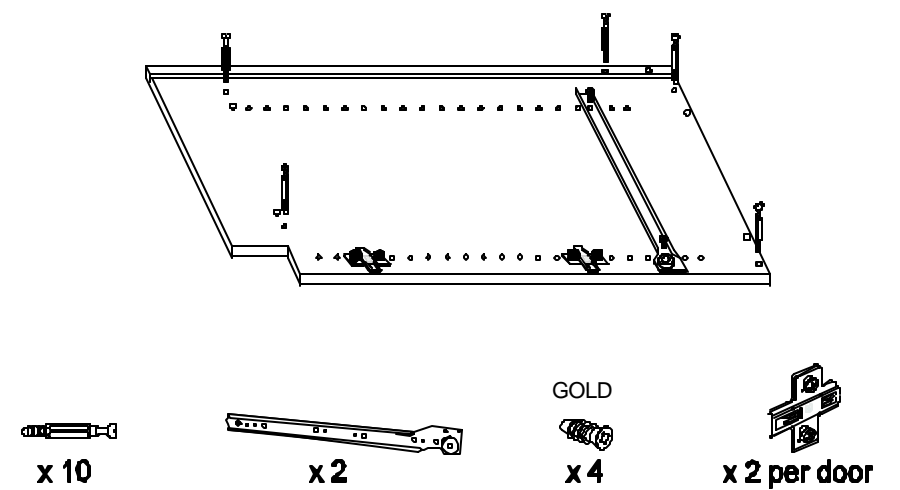
Cabinet Components

<input type="checkbox"/> 2-A  Gable	<input type="checkbox"/> 1-B  AssemblyShelf
<input type="checkbox"/> 1-C  FrontRail	<input type="checkbox"/> 2-D  BackRail
<input type="checkbox"/> 1-E  AdjustableShelf	 NOTE: DrawerFaces, Doors, Backboard and Hinges come inside <u>DOORPACK</u>

1a Full Height Door(s)



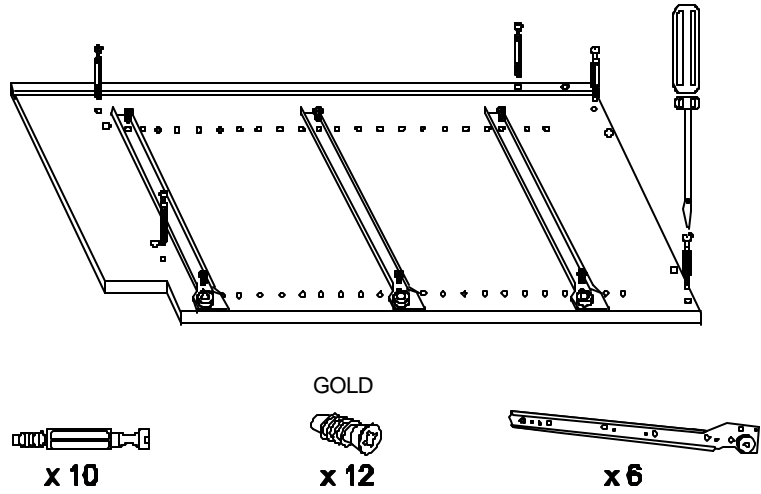
1b Door/Drawer Combo



1c

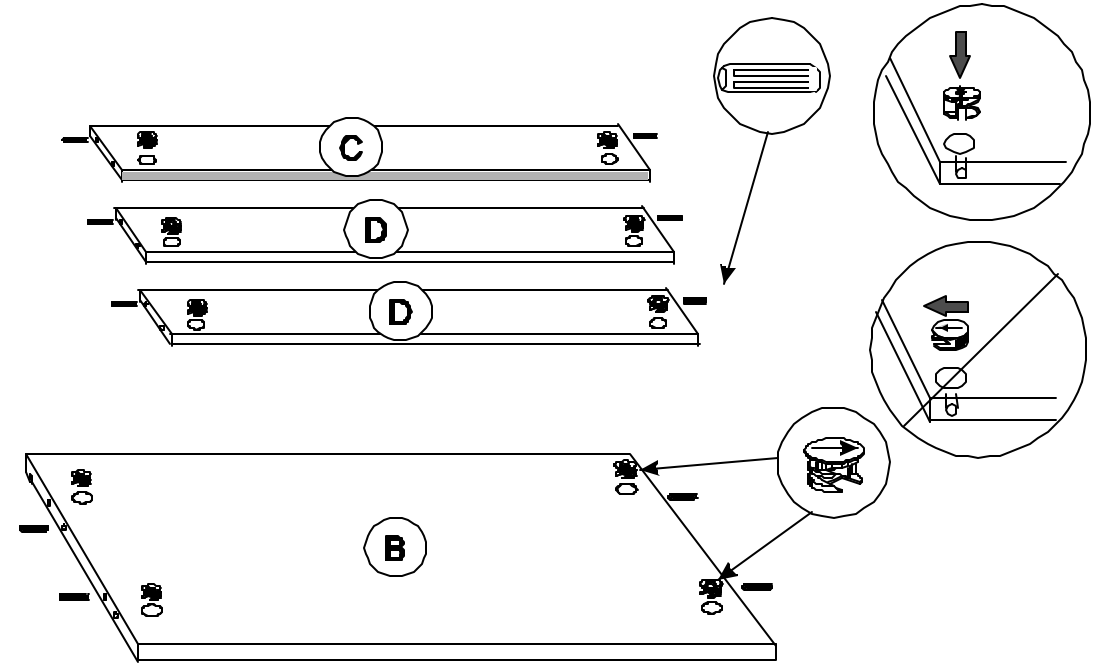
3 Drawer Pots & Pans

2



x 10

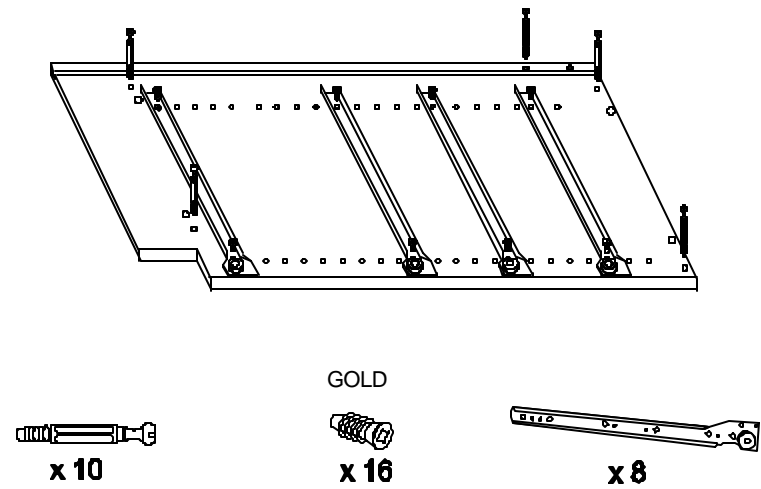
x 10



1d

4 Drawer Bank

3

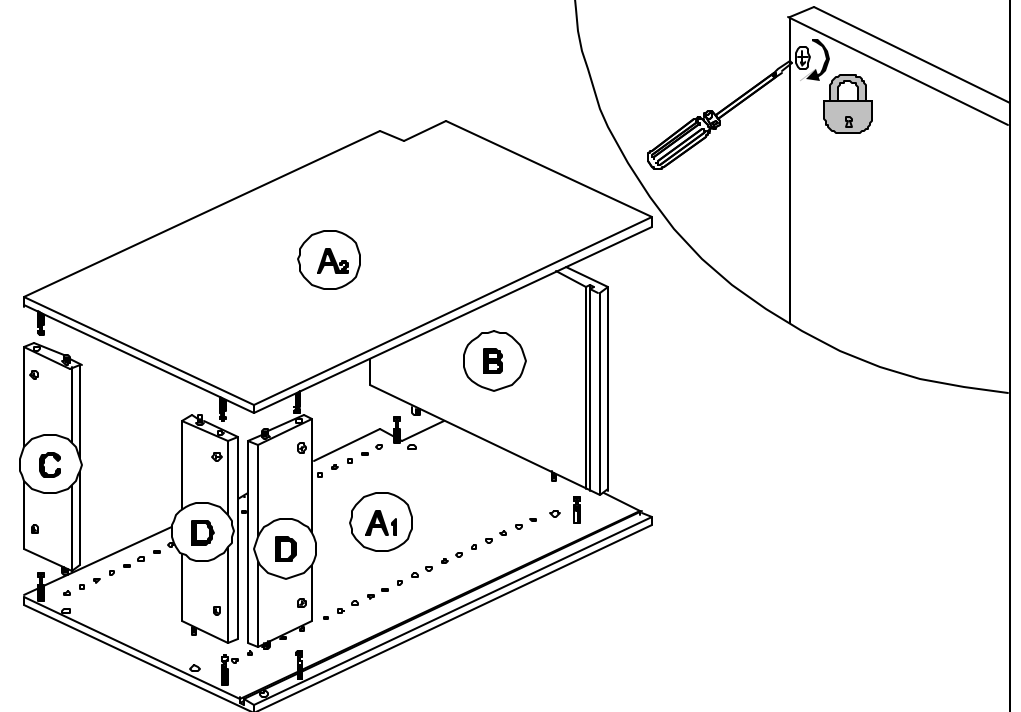


B → A1

C → A1

D1&2 → A1

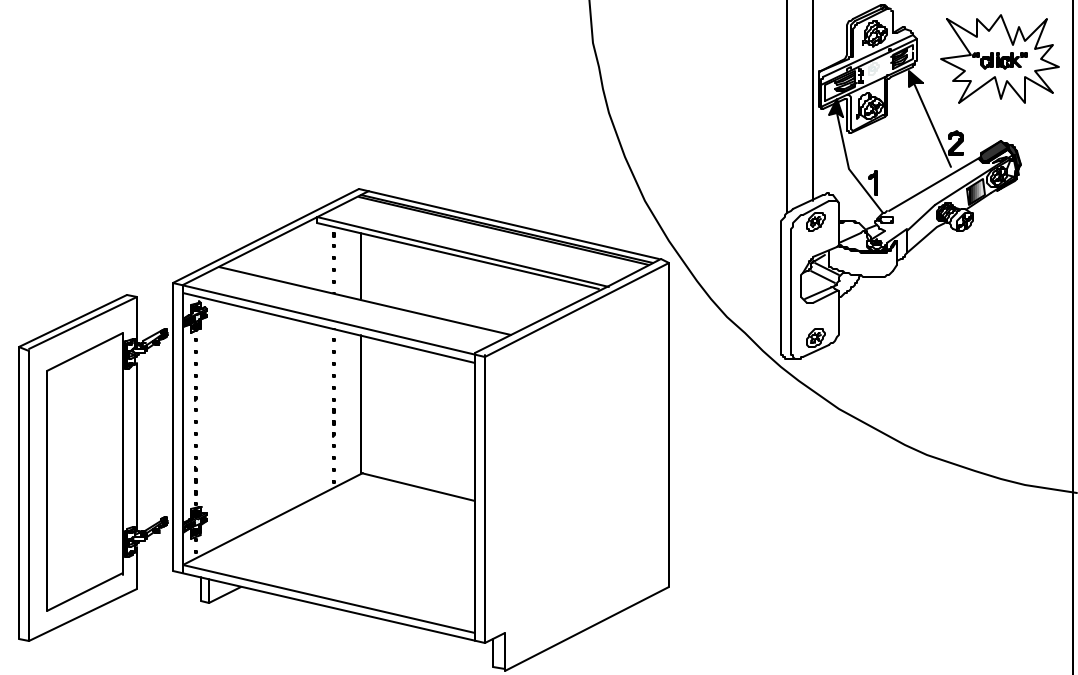
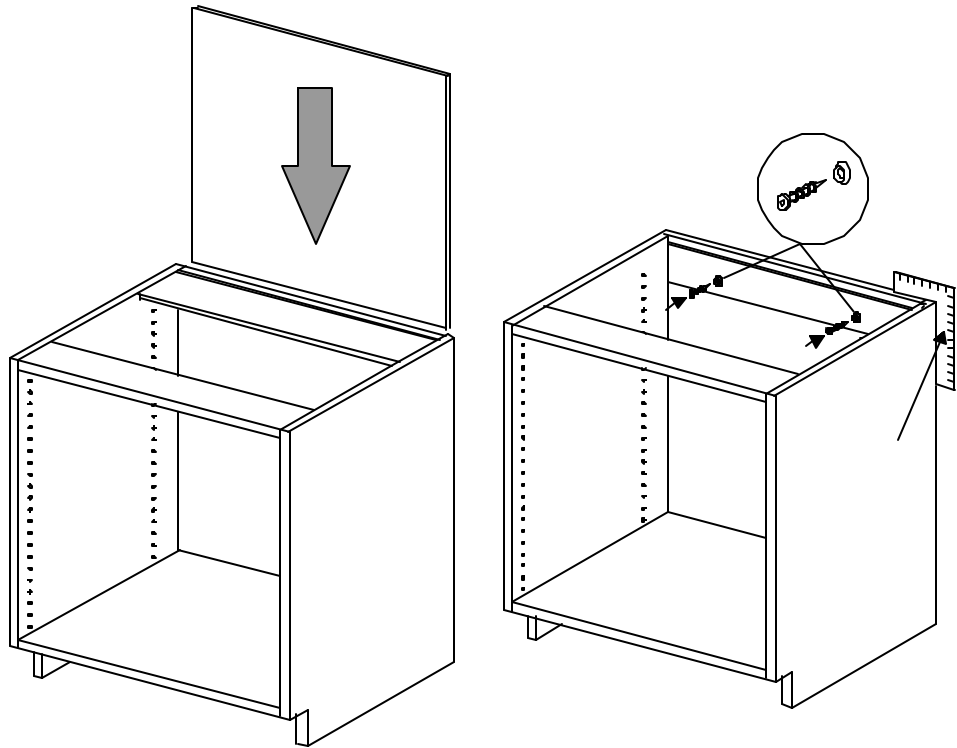
A2 → B, C, D



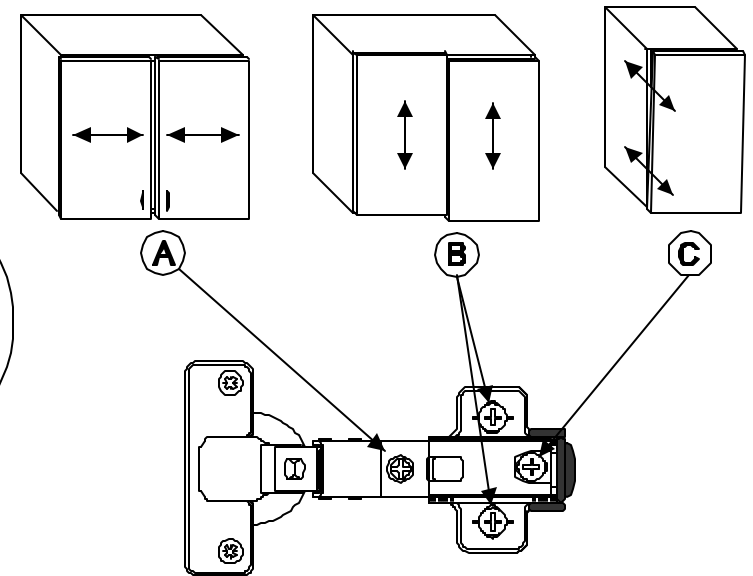
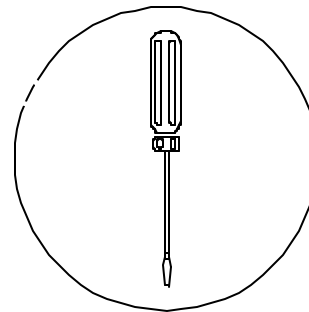
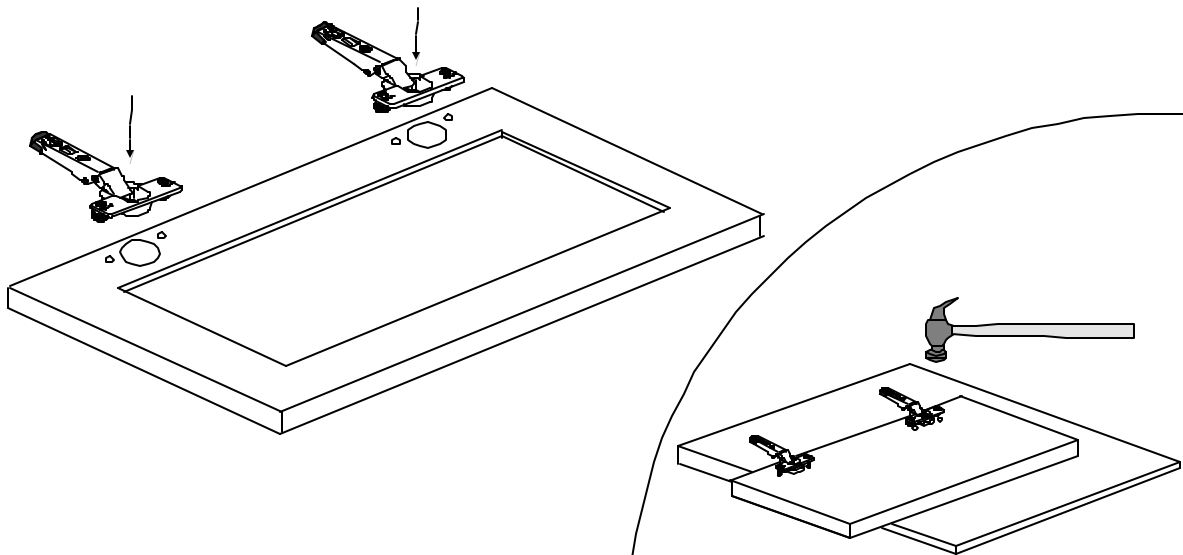
4.

⊙ x 2

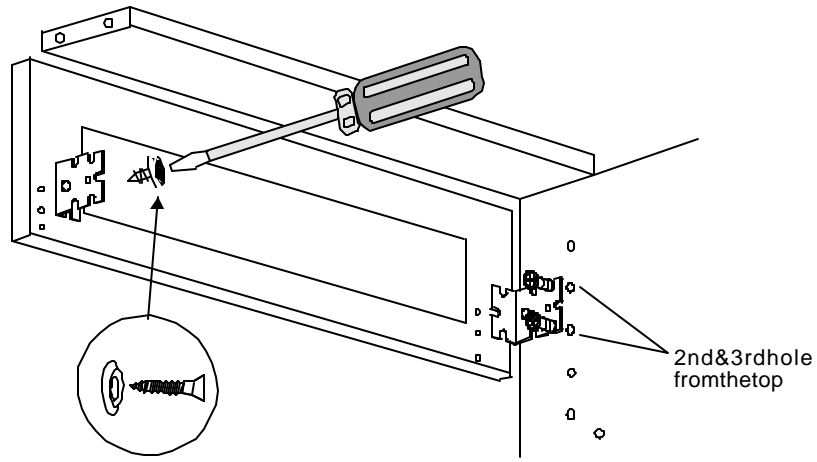
⊕ x 2

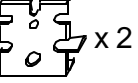
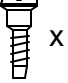
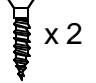
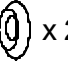


Insert Hinges & Clipping on Doors



Sink Face Attachment

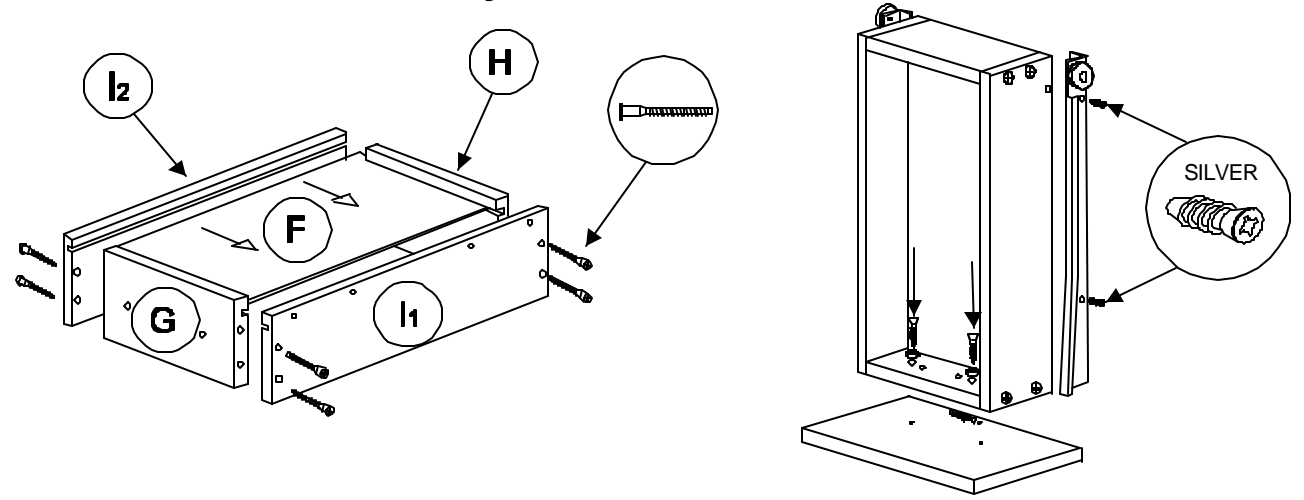




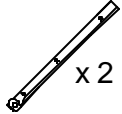
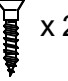
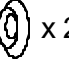
-  x 2
05600015
-  x 4
05400040
-  x 2
05400095
-  x 2
05400055

1

Drawer Box Assembly


- G → I1
- H → I1
- F → G, H, I1
- I2 → F, G, H

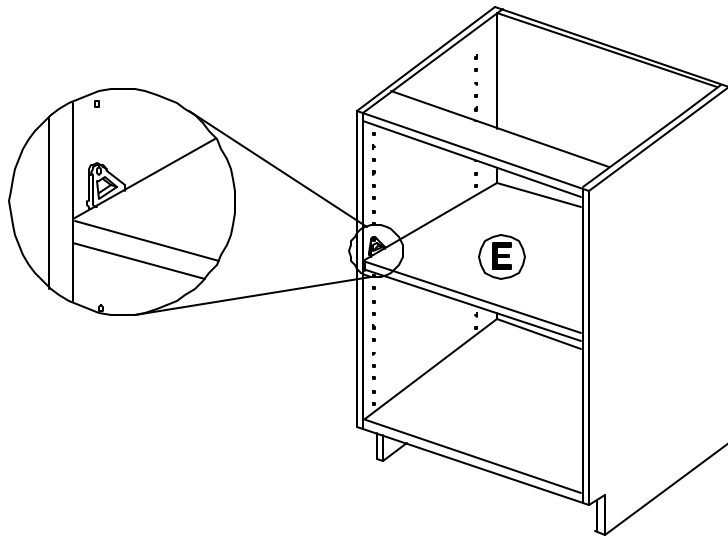


-  x 8
-  x 4
SILVER
-  x 2
-  x 2
-  x 2

Shelf Secure Clips

2

-  x 2



-  x 4
-  x 2

