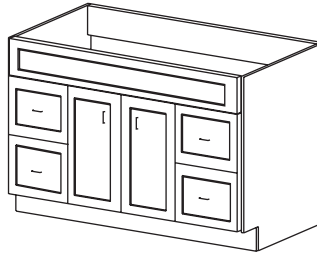


Assembly Instructions

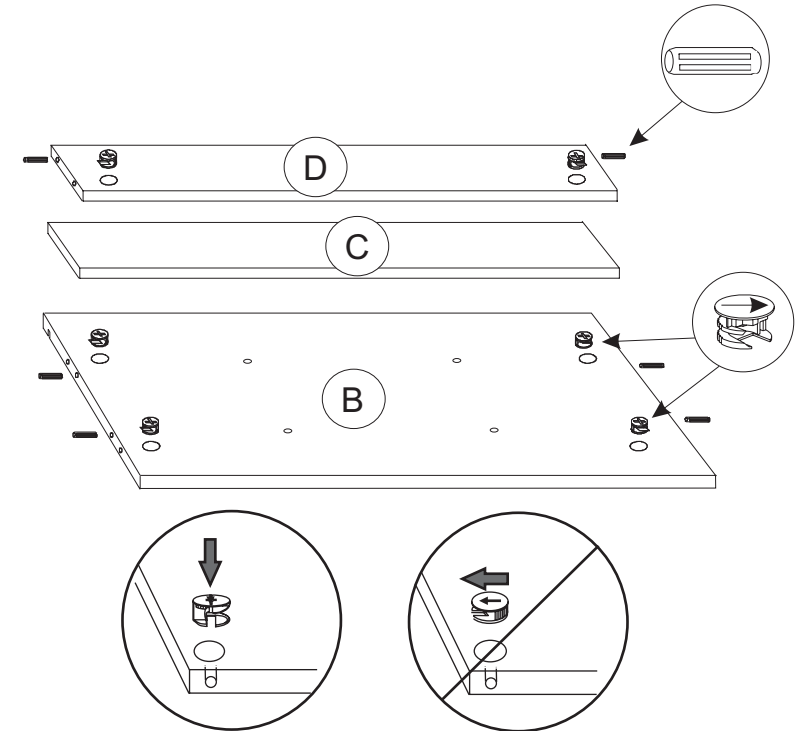
2 Door/4 Drawer Vanity VSD4821-4



1.

x 6

x 6



2.

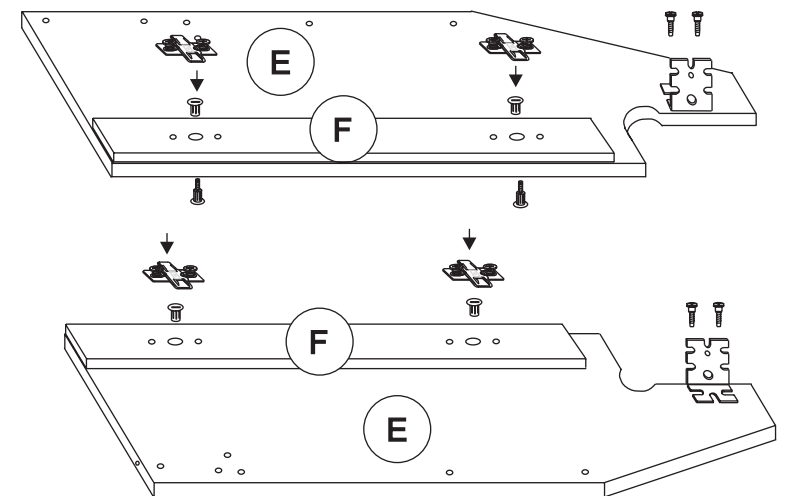
x 2

x 2

x 2

x 2

x 4

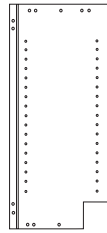


4 0540 0030	6 0540 0005	6 0540 0025
6 0540 0015	4 0540 0045	4 0540 0110
2 0540 0095	16 0540 0040	4 0540 0040
2 0510 0055	2 0510 0100	2 0550 0025

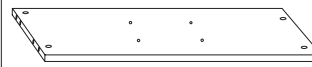
Drawer Box Parts & Hardware

8 0540 0030	4 GOLD 0540 0090	4 SILVER 0540 0035	6 0540 0045
2 0550 0025	2 0540 0095	1-F Drawer Bottom	1-G Drawer Front
1-H Drawer Back	2-I Drawer Sides	4 (Left) 0520 0010	4 (Right) 0520 0010

2 - A
GABLE

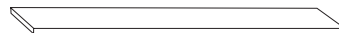


1 - B



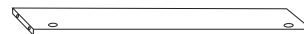
BASE ASSEMBLY SHELF

1 - C



SUB PANEL

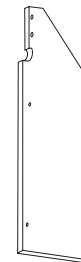
1 - D



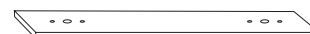
BACK PANEL

2 - E

CENTRE GABLE

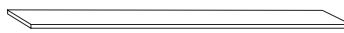


1 - F



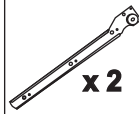
HINGE STRIP

1 - G



TOE KICK

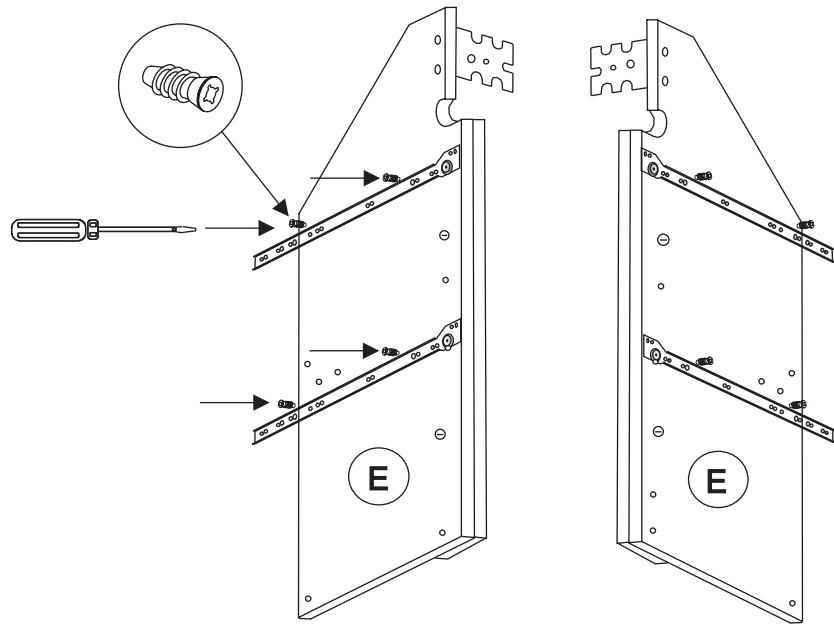
3.



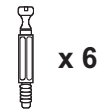
x2



x2



5.



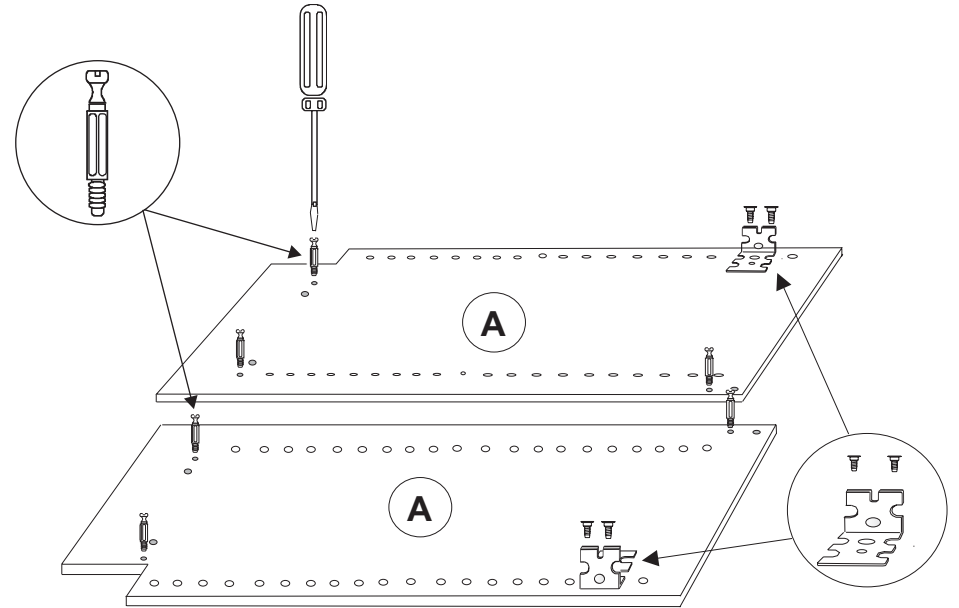
x6



x2



x4



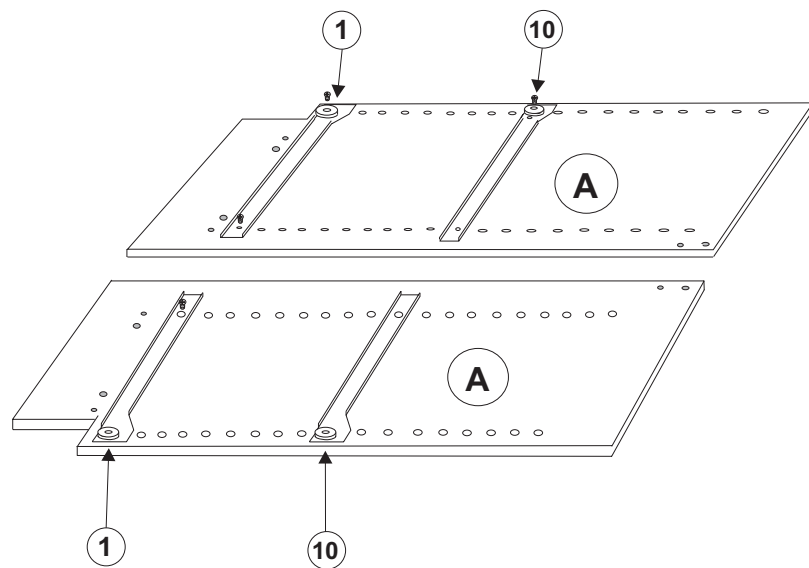
4.



x2



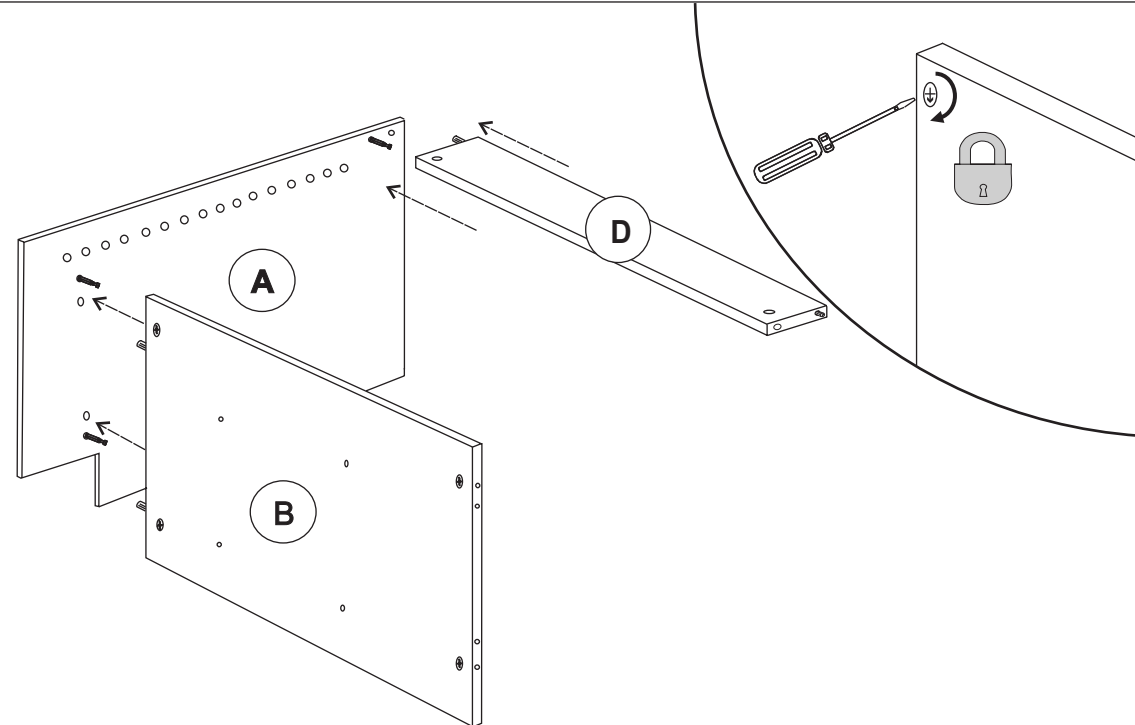
x2



6.

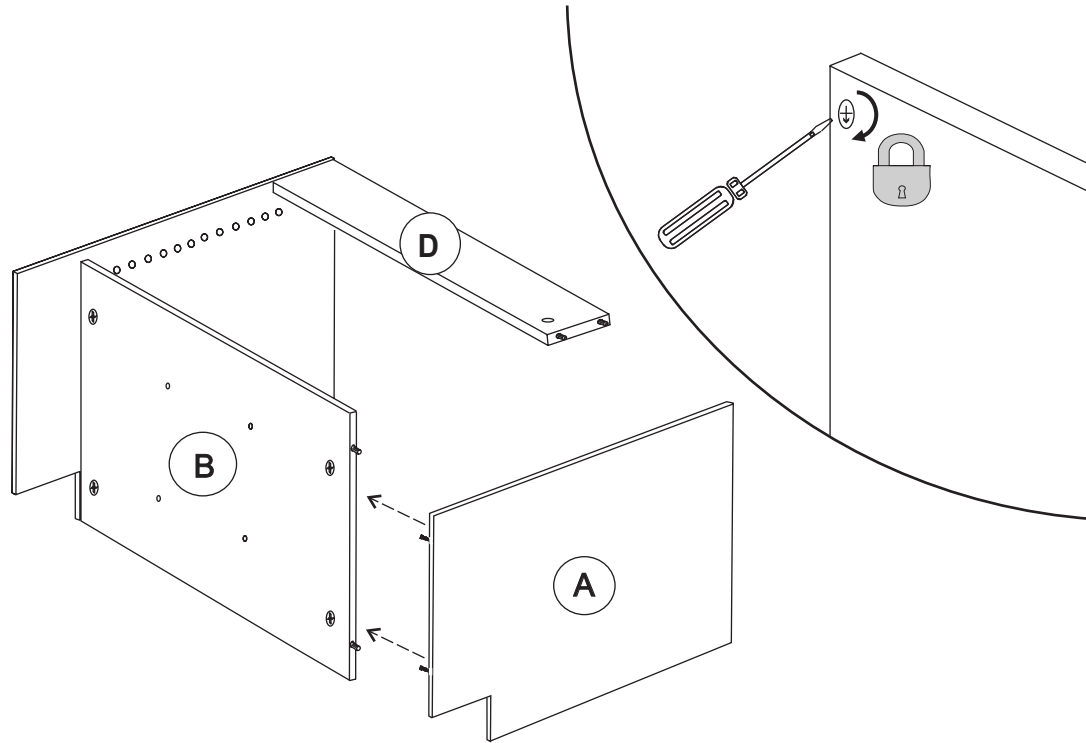
B → A

D → A

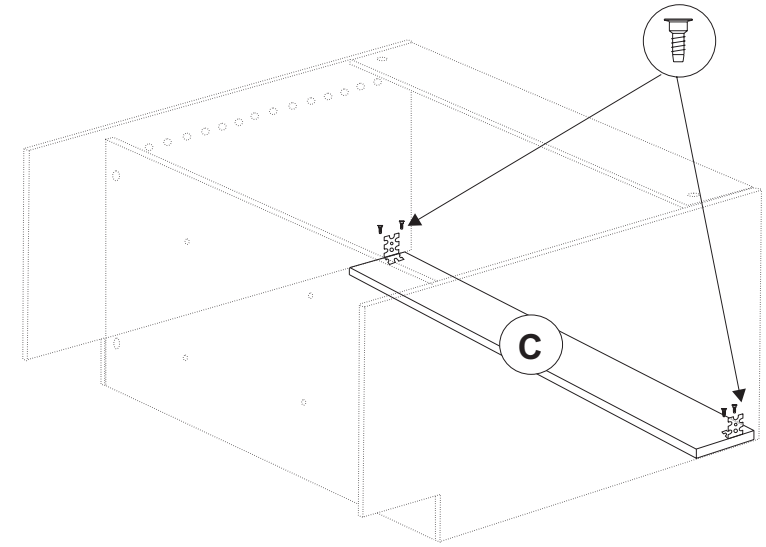


7.

A → B&D

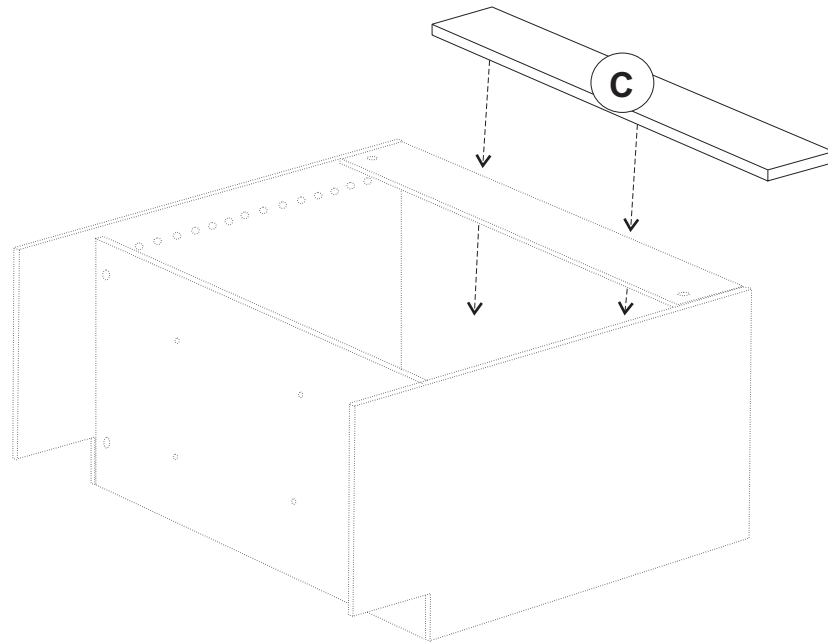


9.



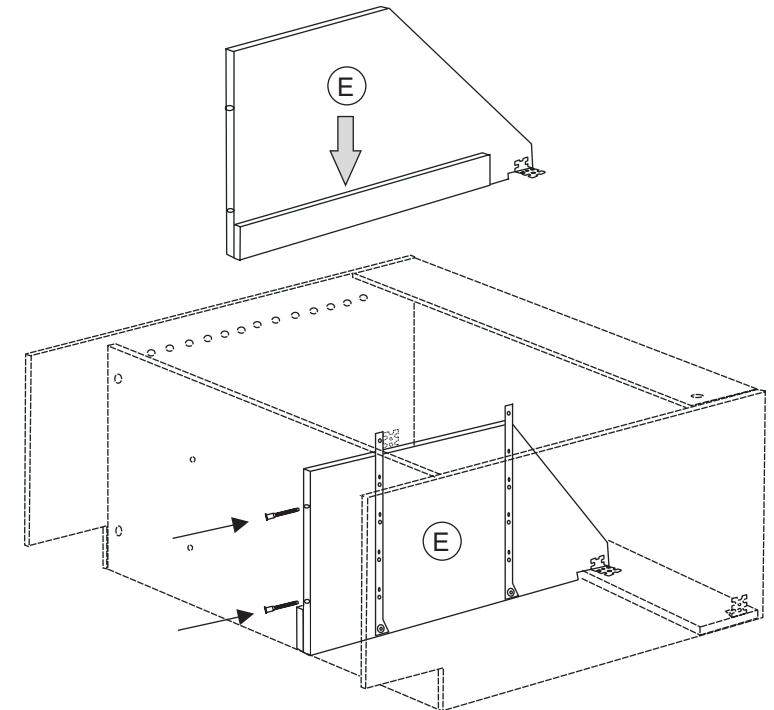
8.

D → Ax2



10.

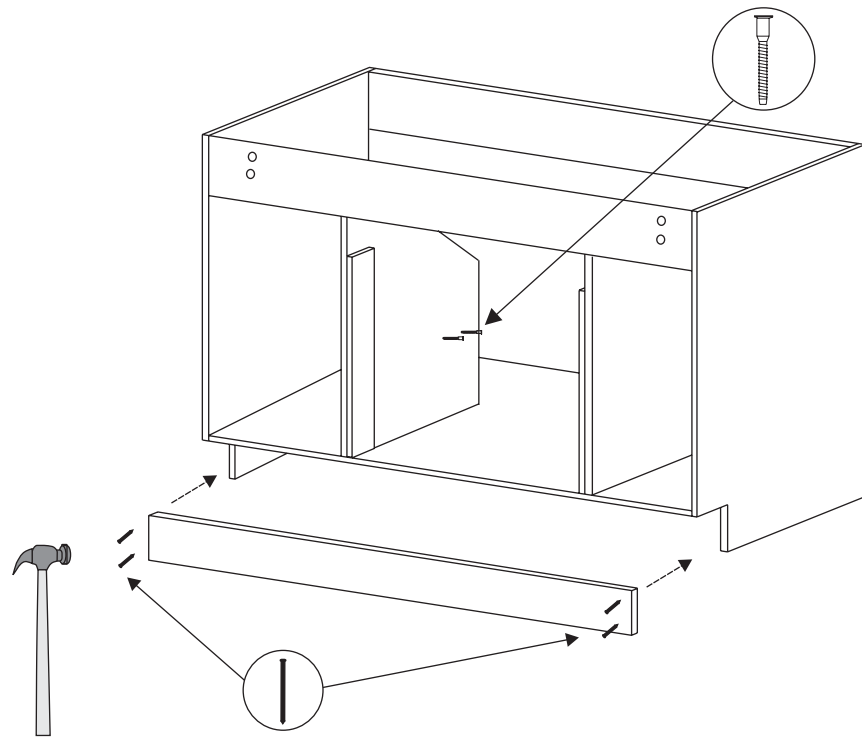
E_{x2} → C, B&H



10.

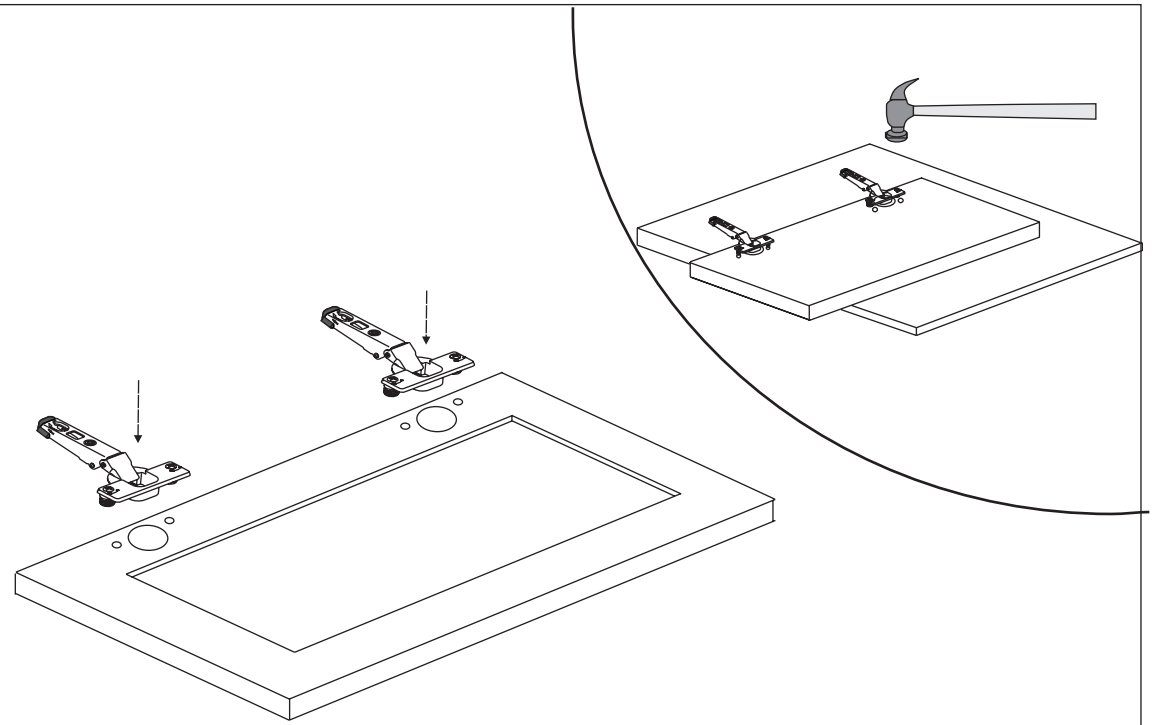
x 4

x 4



12.

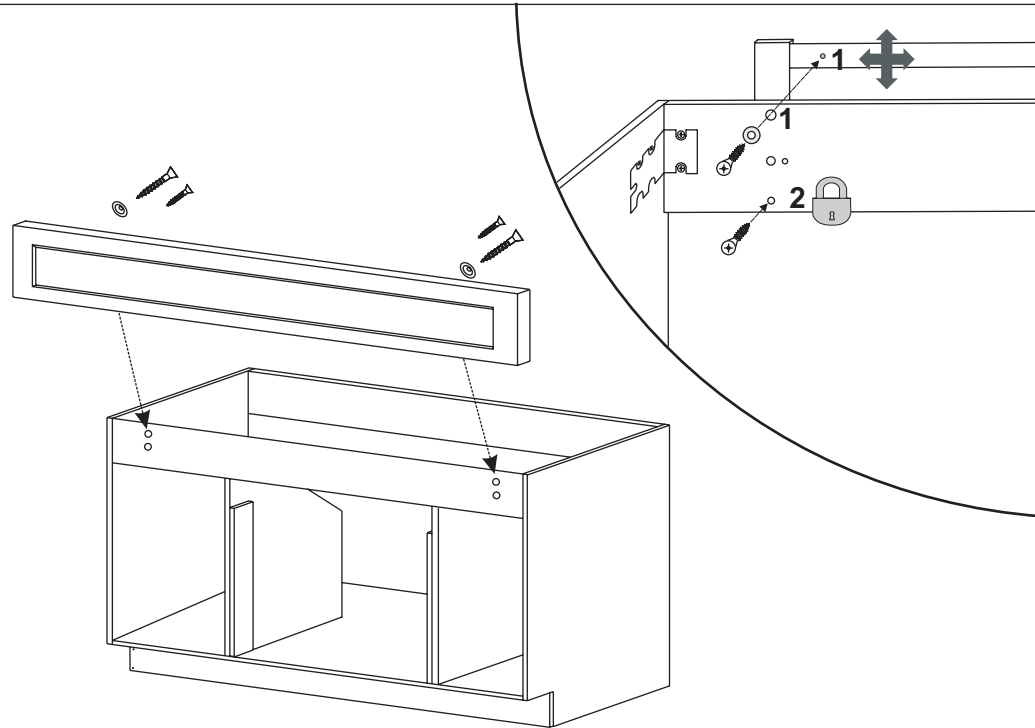
x4



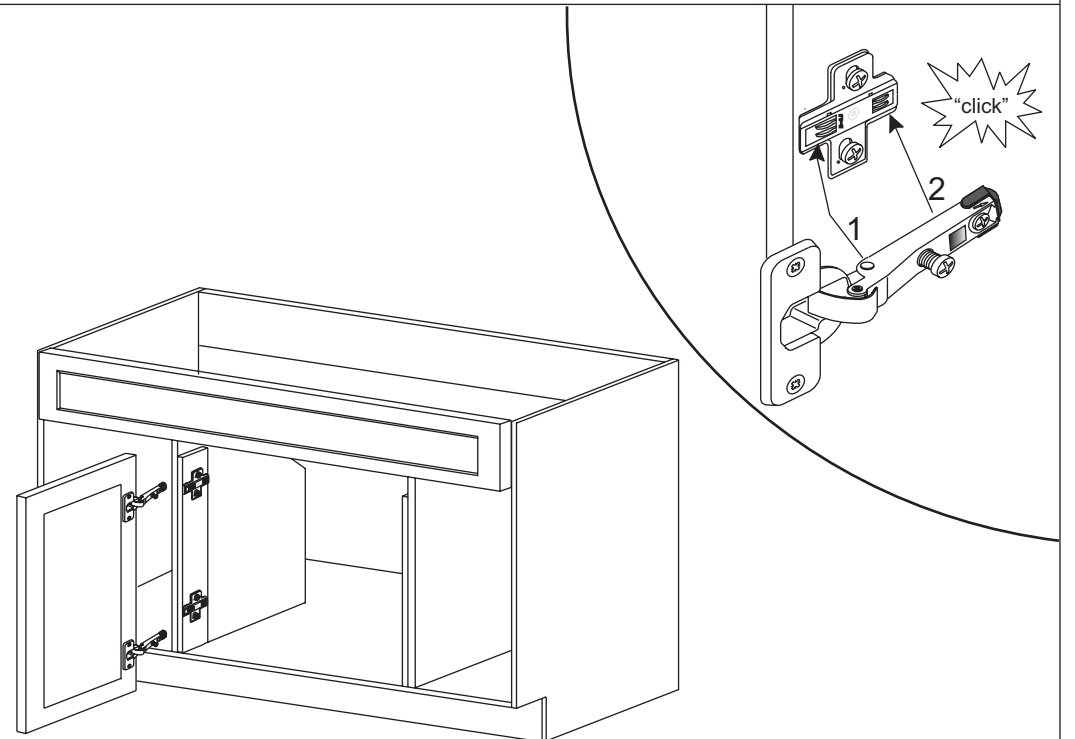
11.

x 4

x 2



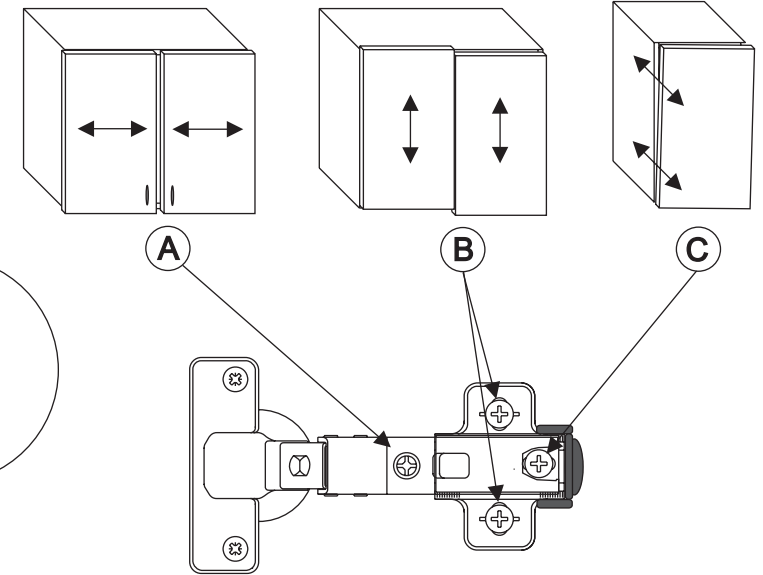
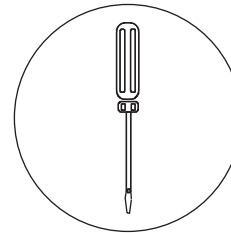
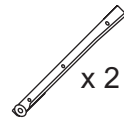
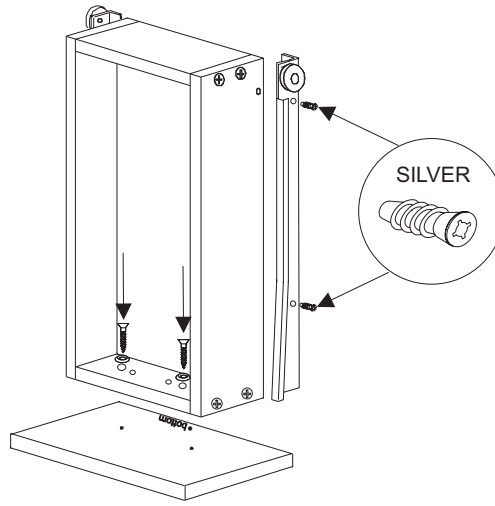
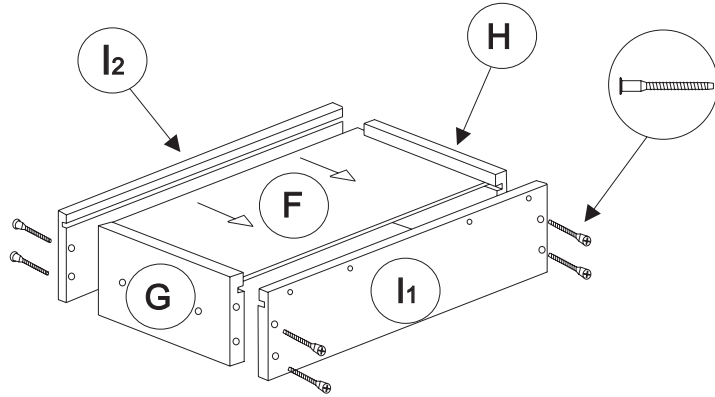
13.



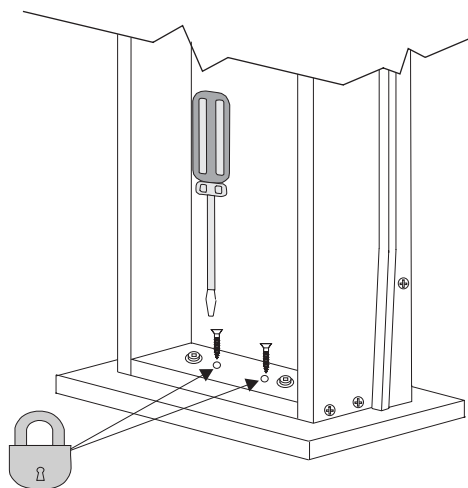
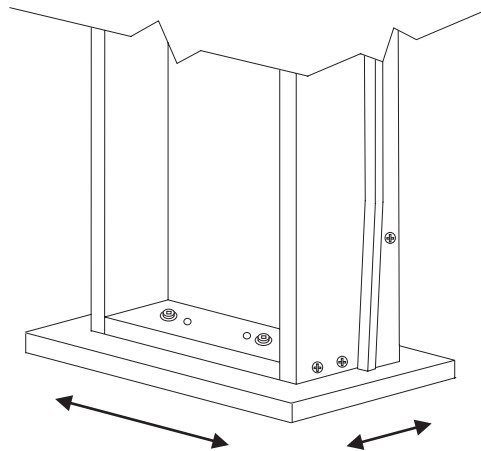
1

Drawer Box Assembly

- G → I₁
- H → I₁
- F → G, H, I₁
- I₂ → F, G, H



2



Euro-Rite offers a series of real wood doors which may show occasional knots or slight colour variation from door to door. These naturally occurring variations give Euro-Rite wood doors a truly unique beauty and character.

**Please Call Customer Service for Warranty Information
Toll Free 1-888-464-5063**



Thank you for choosing Euro-Rite!