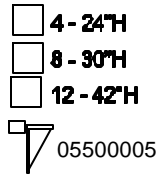
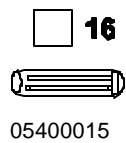
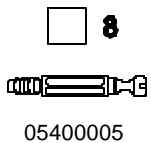
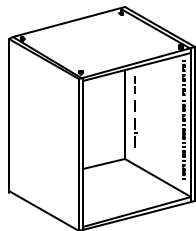
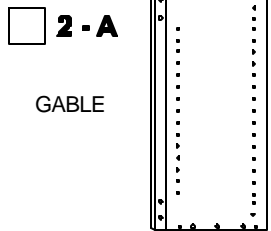
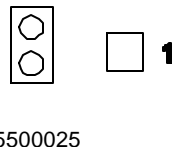
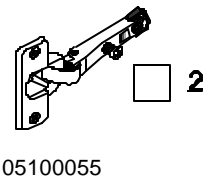
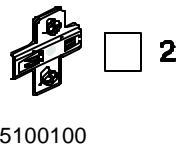


Assembly Instructions

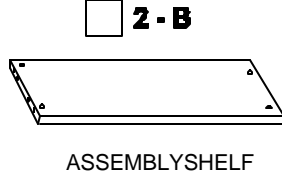
Wall Cabinet



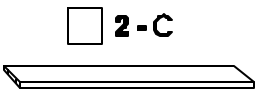
Packaged inside DOOR PACK (PerDoor)



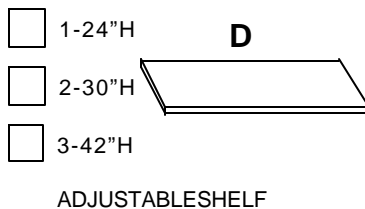
GABLE



ASSEMBLY SHELF

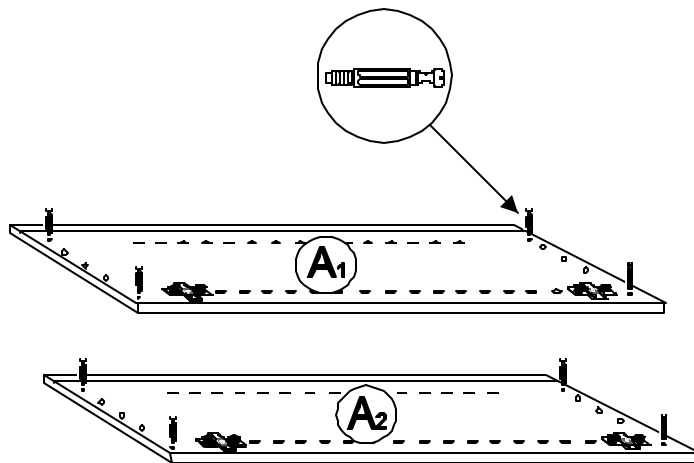


SCREWRAILS

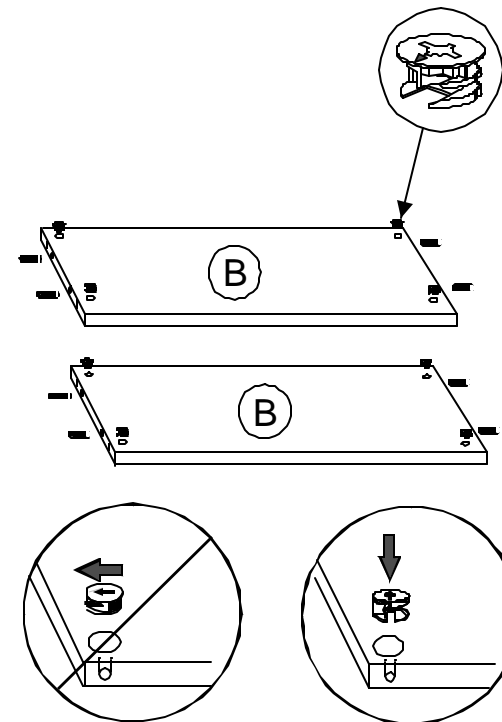
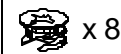


ADJUSTABLE SHELF

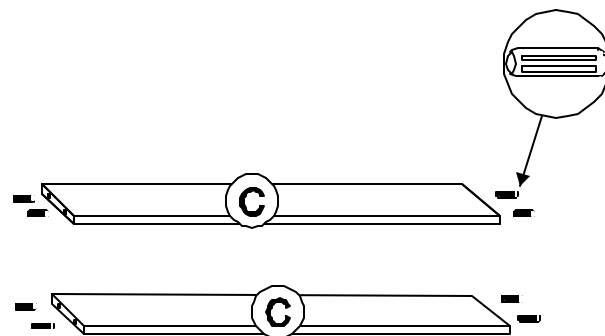
1



2

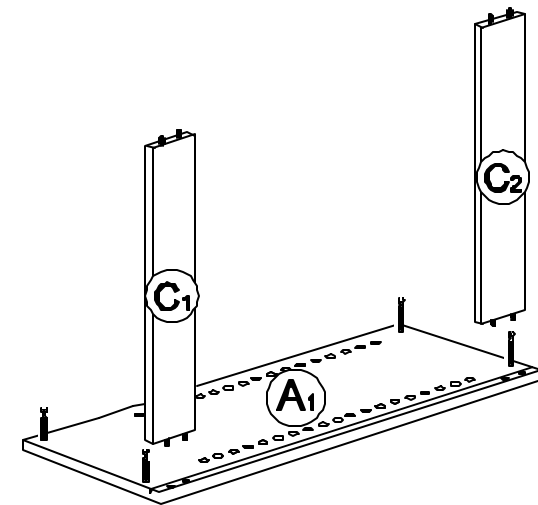


3



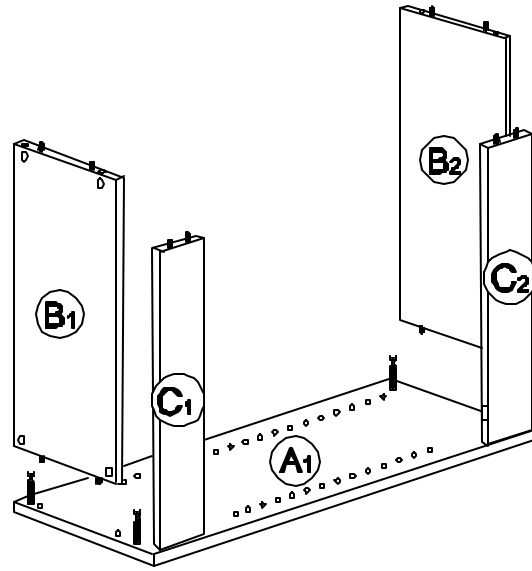
4

C1&2 → A1



5

B1&2 → A1

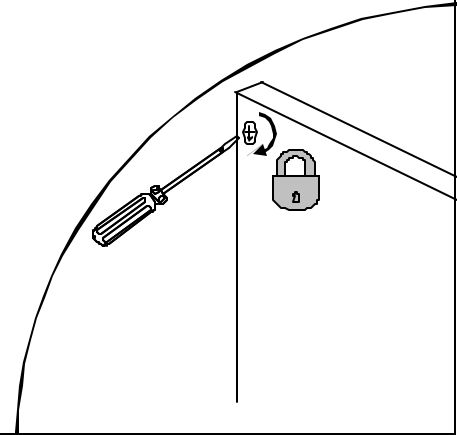
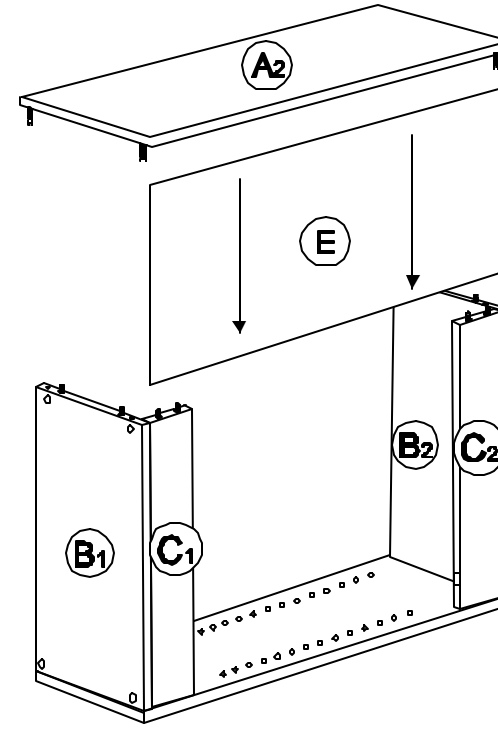


Note:
Backboard (E) comes
inside DOORPACK


6

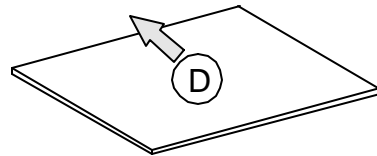
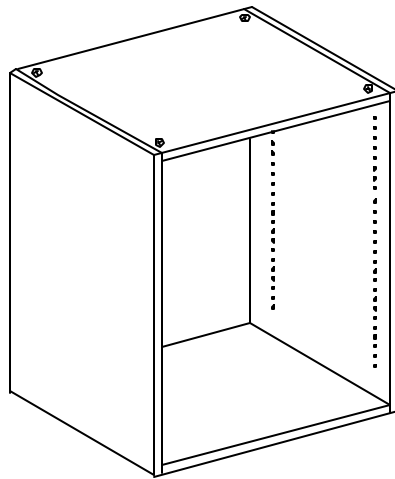
E → A1

A2 → B, C & E

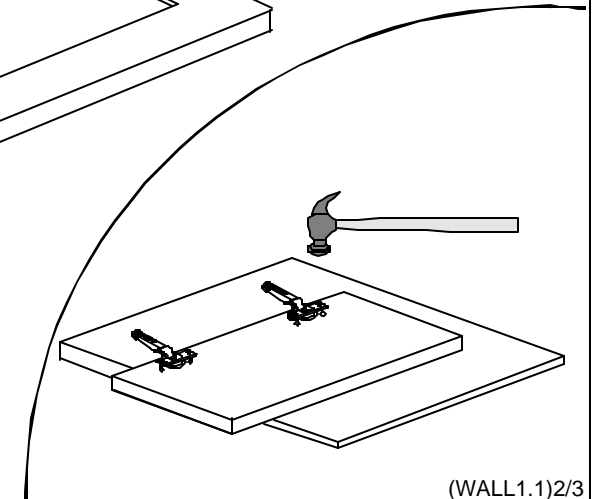
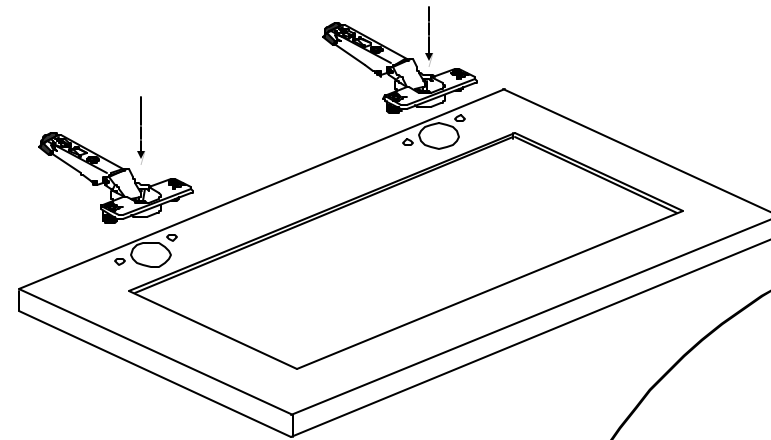


7

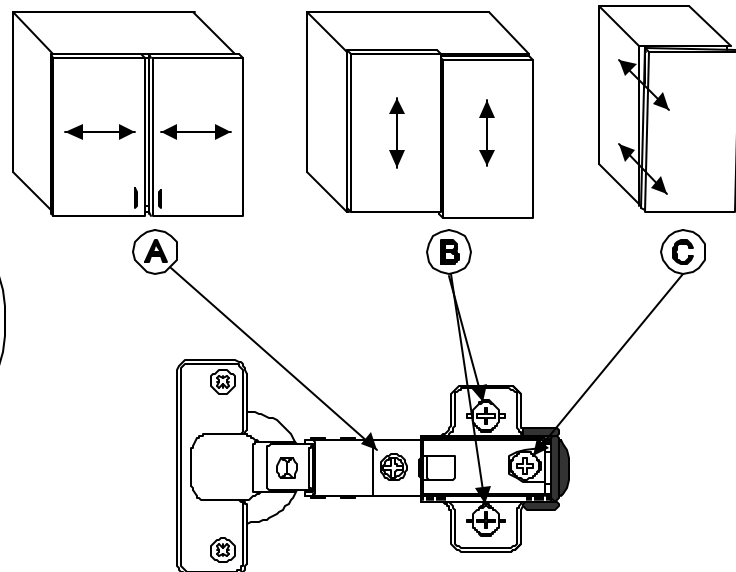
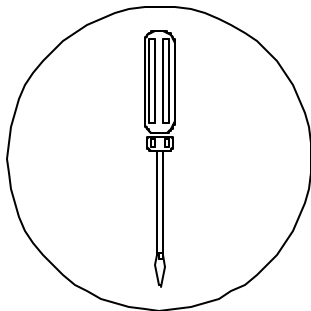
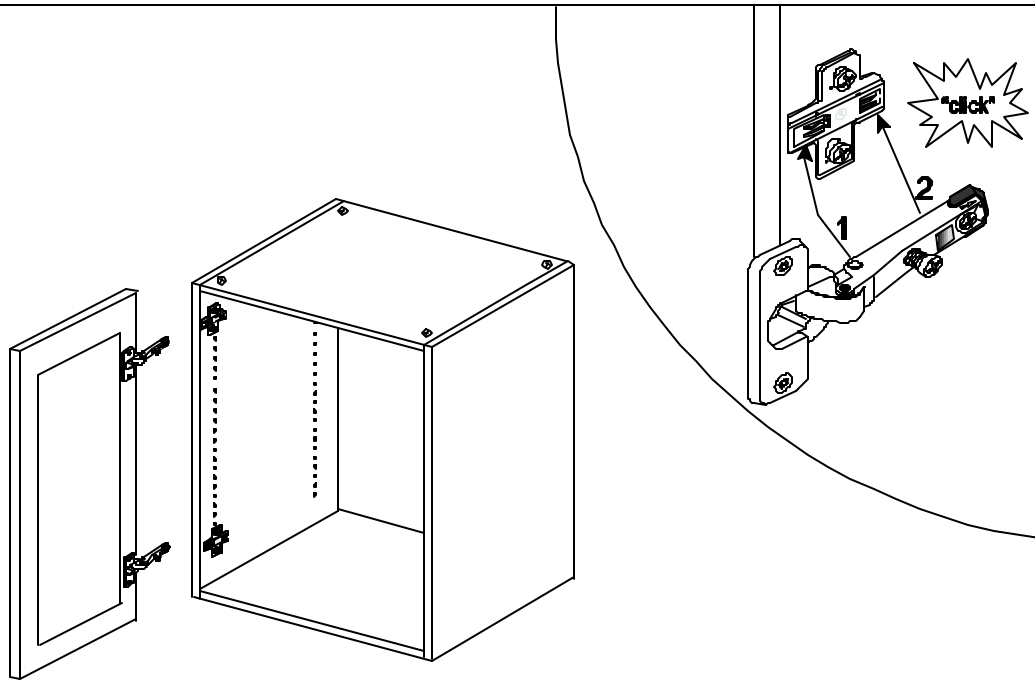
 x 4
pers shelf



8



7



Thank you for choosing Euro-Rite!



Euro-Rite offers a series of real wood doors which may show occasional knots or slight colour variation from door to door. These naturally occurring variations give Euro-Rite wood doors a truly unique beauty and character.

Please contact Customer Service
for Warranty Information Toll Free
1-888-464-5063 or email us CS@eurorite.com

Euro-Rite Cabinets Ltd.
www.euro-rite.com

