

FINDYOURSTYLE

The Euro-Rite Closet Program will improve the look, convenience and storage space in your closet. Your Euro-Rite representative will be glad to show you how to transform your closet with our high quality closet components and accessories.



ANTIQUE WHITE

Euro-Rite Closets are offered in two classic colours—a traditional Antique White and a rich Chocolate Pear woodgrain. The panels and shelves are 5/8" thick and are finished in durable high grade melamine.

The Chamfered Profile Doors are made from 3/4" medium density fibreboard. The high grade Thermofoil finish is both durable and easy to keep clean. Closet rods, valet rods, belt and tie racks, pull-out baskets and shoe rack rails are all finished in thick polished chrome.

CHOCOLATE PEAR

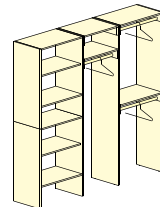


SAMPLECLOSETLAYOUTS



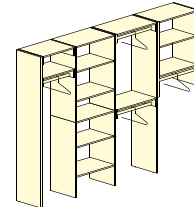
by-pass closet

With the by-pass door style, a shelf tower is most advantageous when placed closer to an end of the closet. This allows easy access to your shelf items when sliding open your closet door. Keep that in mind when designing for by-pass door closets of any size!



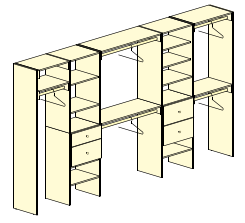
up to 6 ft

2 CLUS-2 2 CLP
4 CLFS-2 3 CLROD-2



up to 8 ft

3 CLUS-2 2 CLP
2 CLFS-1 1 CLROD-1
2 CLFS-2 3 CLROD-2



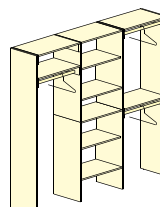
up to 10 ft

4 CLUS-1 3 CLD-L1
2 CLFS-1 1 CLD-S1
2 CLFS-2 1 CLROD-1
2 CLFS-3 2 CLROD-2
2 CLP 2 CLROD-3



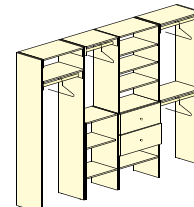
bi-fold closet

Opposite to the by-pass door style, it is best to place shelving closer to the middle of your bi-fold door closet. Heavier items can be tucked away at the two ends of your bi-fold closet while lighter, more frequently used items can be stored in the middle shelving.



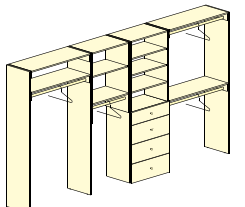
up to 6 ft

2 CLUS-2 2 CLP
4 CLFS-2 3 CLROD-2



up to 8 ft

1 CLUS-1 3 CLP
2 CLUS-2 1 CLROD-1
1 CLFS-1 3 CLROD-2
4 CLFS-2 2 CLD-L2



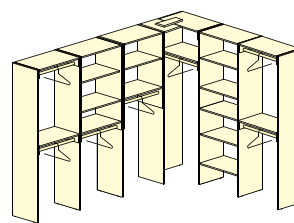
up to 10 ft

3 CLUS-2 3 CLROD-3
4 CLFS-3 3 CLD-L2
3 CLP 1 CLD-S2
1 CLROD-2

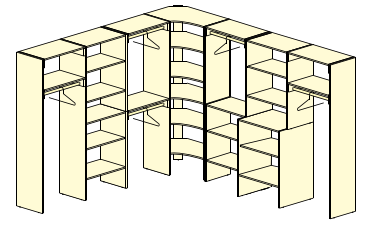


walk-in closet

Walk-in closets are extremely flexible as to where you prefer to have shelving, so have fun designing your walk-in closet the way you like it! Euro-Rite offers a corner shelving unit for maximum shelf storage space!



4 CLUS
8 CLFS 7 CLROD
6 CLP



4 CLUS
7 CLFS 5 CLROD
2 CLP 2 CLCS
1 CLBS

*European Styling,
Built Right*

EURO-RITE
C L O S E T S

1-888-464-5063

www.eurorite.com

TM

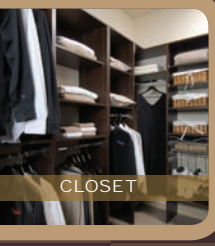
CLOSETS



KITCHEN



BATHROOM



CLOSET



OFFICE



LAUNDRY



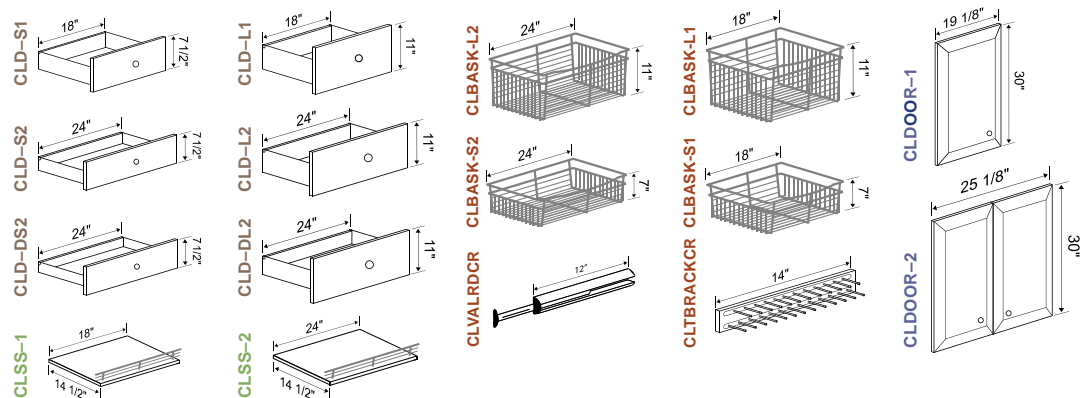
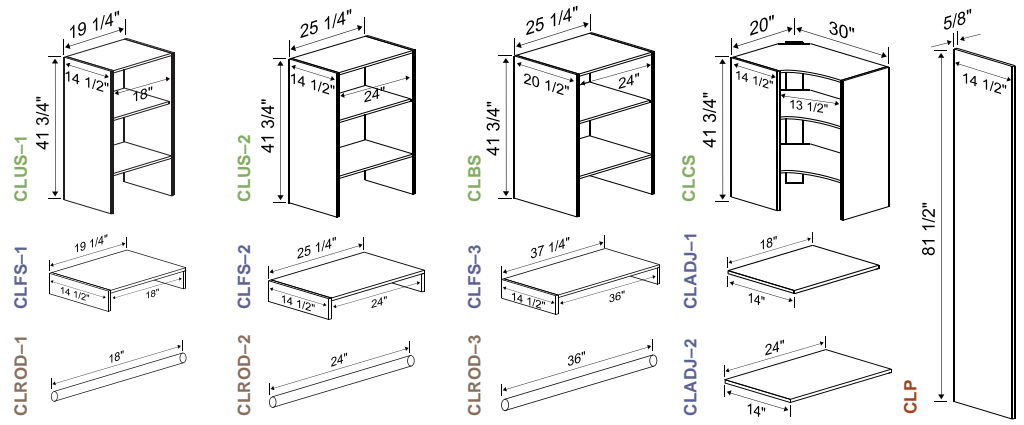
ENTERTAINMENT

COMPONENTS

FIND YOUR STYLE

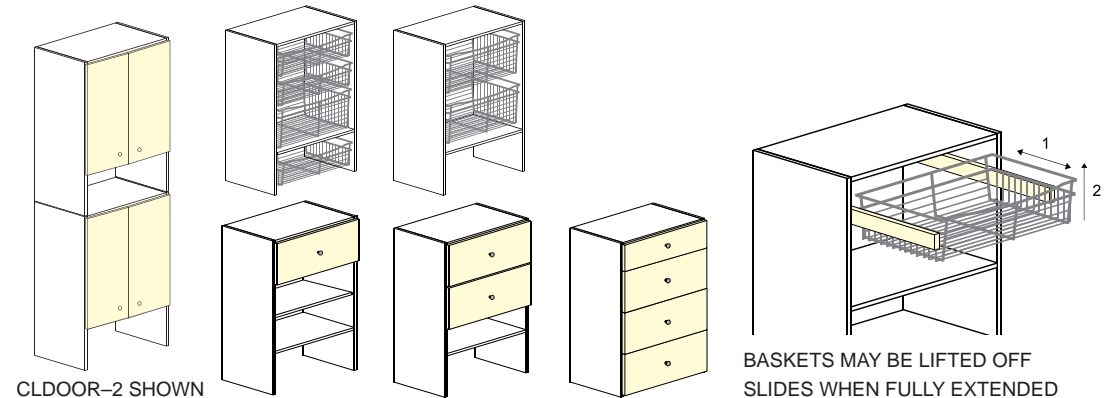
Discover Euro-Rite's new closet program designed to improve any closet space. Don't know where to start? Contact a Euro-Rite Closets dealer to find out more. Euro-Rite has been proudly manufacturing quality cabinets for more than 25 years!

DOORS DRAWERS ACCESSORIES



POSSIBLE CONFIGURATIONS

NOT ALL POSSIBLE CONFIGURATIONS SHOWN

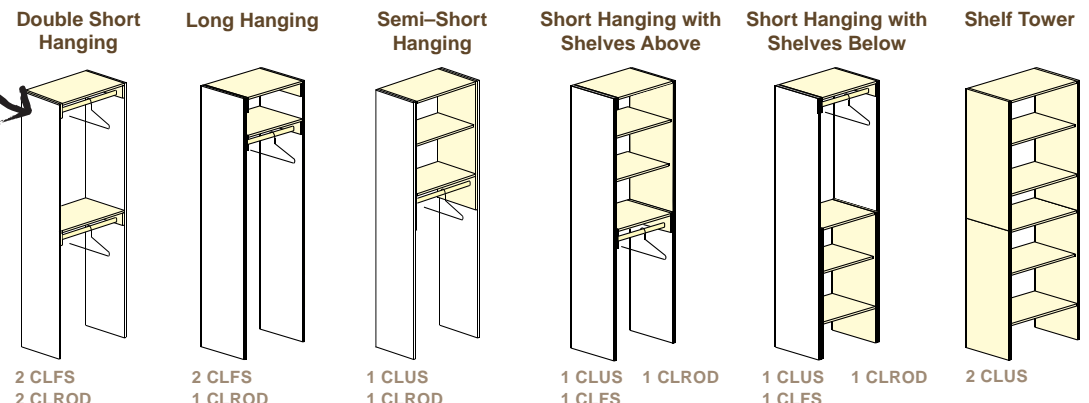


CLDOOR-2 SHOWN

BASKETS MAY BE LIFTED OFF SLIDES WHEN FULLY EXTENDED

STANDARD MODULES

("CLP"s shown in white are not included in parts list)



<p>2 CLFS 2 CLROD</p> <p>Probably the most common in closet organization. Two short hanging rods maximizes hanging space for shirts, blouses, pants and sport coats.</p>	<p>2 CLFS 1 CLROD</p> <p>This module is intended for housecoats, long dresses and gowns.</p>	<p>1 CLUS 1 CLROD</p> <p>The hanging length here is ideal for short dresses, pants hung by the cuff and coats. There is still space for folded clothes in the shelving above.</p>	<p>1 CLUS 1 CLROD 1 CLFS</p> <p>A good combination of shelving and short hanging. Folded clothes are easily accessible while still providing space for hanging items.</p>	<p>1 CLUS 1 CLROD 1 CLFS</p> <p>A good combination of shelving and short hanging. The shelving provides space for shoes and accessories (such as drawers and baskets for clothing items.)</p>	<p>2 CLUS</p> <p>Maximum shelf space for folded clothes. Extra shelves, drawers and baskets can be added. Can also be duplicated with corner and 20" deep units.</p>
--	--	---	--	--	---

Imagine



Euro-Rite Cabinets are value priced, making it easy for you to get the accessories and design elements that will bring your dream closet to life. 1-888-464-5063 | www.eurorite.com