

## INSTALLATION TIPS

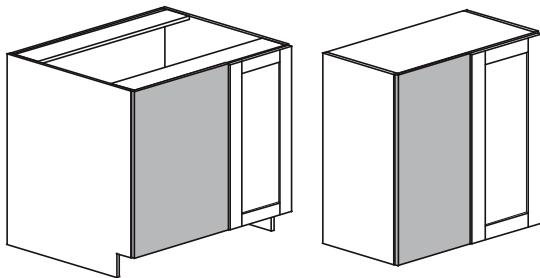
Detailed cabinet assembly instructions come in Box A. If for some reason you are missing an assembly instruction, you can download a copy from our website [www.eurorite.com](http://www.eurorite.com). The following pages will have important information when installing some of our more unique type of cabinets.

Installation screw kits are sold separately. One INS kit can install on average 7 cabinets. Be sure to order enough to complete your installation.

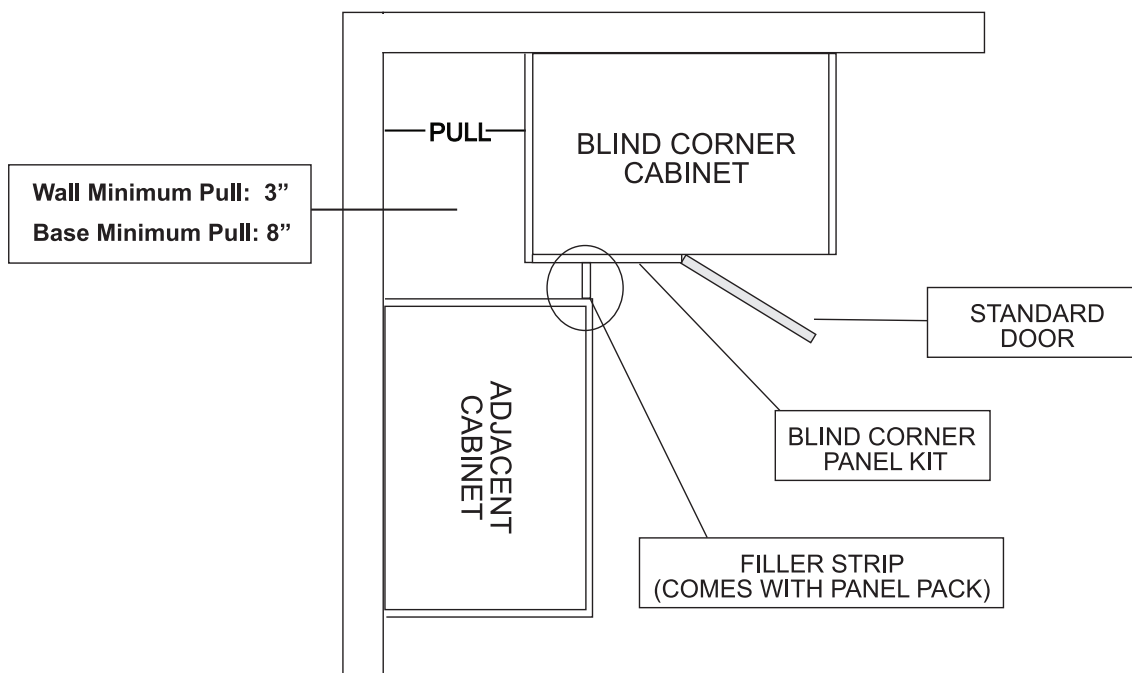
### *BLIND CORNER WALL & BASE CABINETS*

Blind corner cabinets can be used when space is an issue and a traditional angle corner will not fit.

When installing these cabinets here are a few things to remember:



1. You must "pull" the blind cabinet out from the wall far enough to clear the adjacent cabinet, door and hardware. On average that would be 2-4" for blind wall install and 7-9" for blind base install.
2. A filler strip has to be installed between the blind panel and the adjacent cabinet. The filler strip must be greater than the projection of the handle on the adjacent cabinets.
3. A 36" blind wall comes with 2 doors.

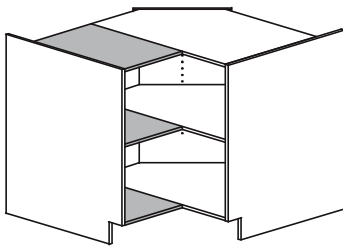


# INSTALLATION TIPS

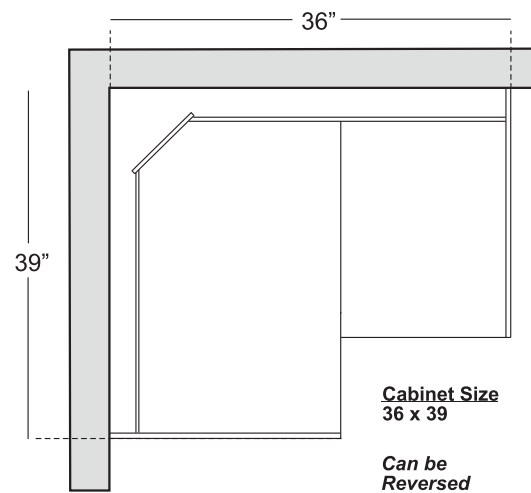
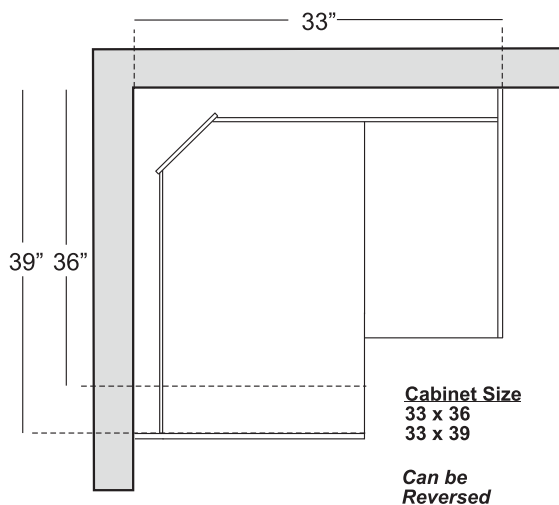
## NON-STANDARD CORNER BASE CABINETS

Euro-Rite offers a non-standard corner base option for versatility when designing a kitchen. You can increase or decrease one side of your corner base 3-6" to accommodate adjoining cabinetry when you just need that few extra inches.

When installing non-standard corner cabinets here are a few things to remember:



1. The cabinets are not directly mounted to the wall, there is a 5" space between the backboard and the wall
2. You will receive a standard corner base cabinet along with an extension kit. The smaller, standard shelf extension is discarded.
3. The assembly and adjustable shelves are a combination of 2 pieces and are locked together with cam and dowel.
4. The extended side can be either on the left or right side of the cabinet by flipping the shelves.
5. The smaller of the 2 doors is always hinged to the cabinet.

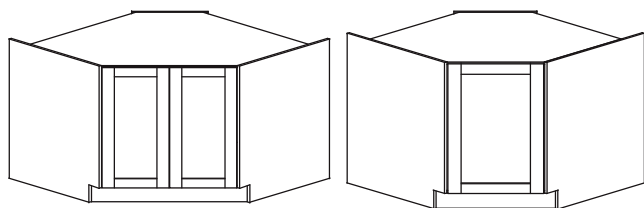


# INSTALLATION TIPS

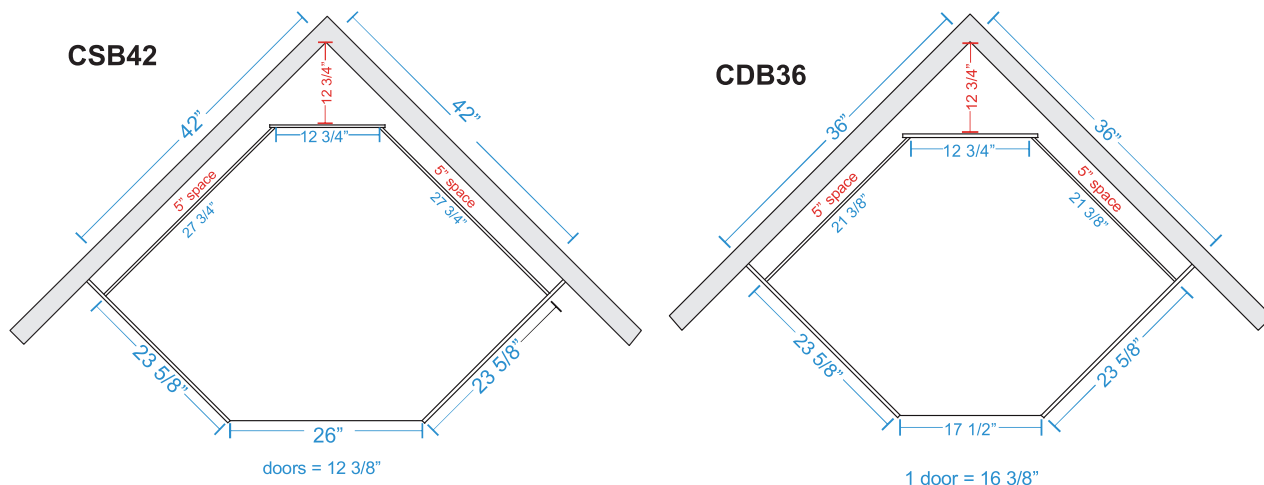
## DIAGONAL CORNER BASE CABINETS

Euro-Rite offers 2 sizes of diagonal base cabinets. A 36" and a 42". These unique cabinets are popular for large kitchens. Both can fit a sink but the 42" is the only one large enough to fit a double basin sink. If you would like a sink in the 36", it has to be a single basin.

When installing diagonal corner base cabinets here are a few things to remember:



1. The cabinets are not directly mounted to the wall, there is a 5" space between the backboard and the wall.
2. The CSB42 come with 2 doors
3. The CDB36 comes with 1 door and an adjustable shelf that must be installed prior to the top shelf.
4. Do not install a drawer bank or door/drawer unit on either side of these cabinets.
5. Where a dishwasher is beside these cabinets, use a filler strip or DW gable to allow for space.



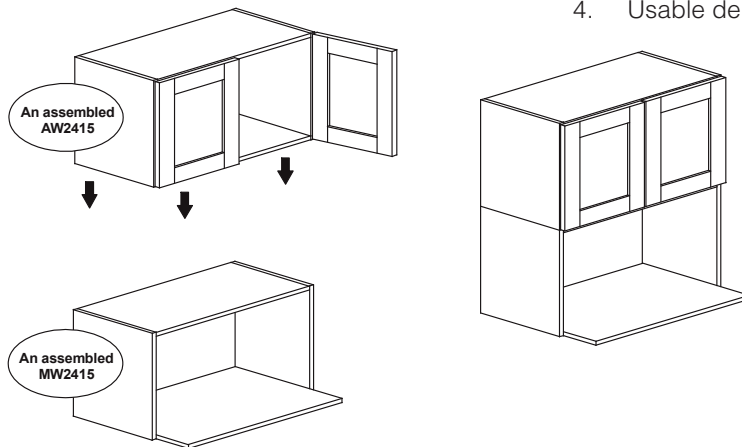
# INSTALLATION TIPS

## MICROWAVE CABINET

We have developed a unique system for any microwave configuration. The MW cabinet has an extended bottom shelf and no doors to house your microwave. This cabinet is available in either 24" or 30" width. It is to be assembled and attached to any 2 door wall cabinet. See page 2.37 for pricing.

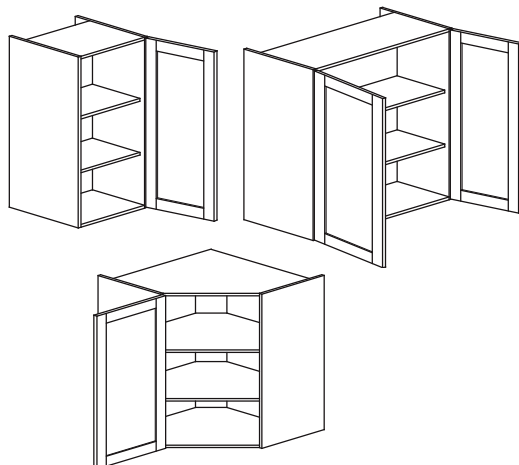
When using a microwave wall cabinet here are a few things to remember:

1. Verify height allowance when designing the space.
2. Attach the MW cabinet to the wall cabinet carriage bolts.
3. To cover the side seam, you can install a DC30.
4. Usable depth is 16".



## 15" GABLE DEPTH WALL CABINETS

Euro-Rite offers wall cabinets with 15" deep gables. The benefit of using a cabinet with 15" deep gables (sides) is the ability to stagger different heights of cabinets to crown molding without an apple basket cut.

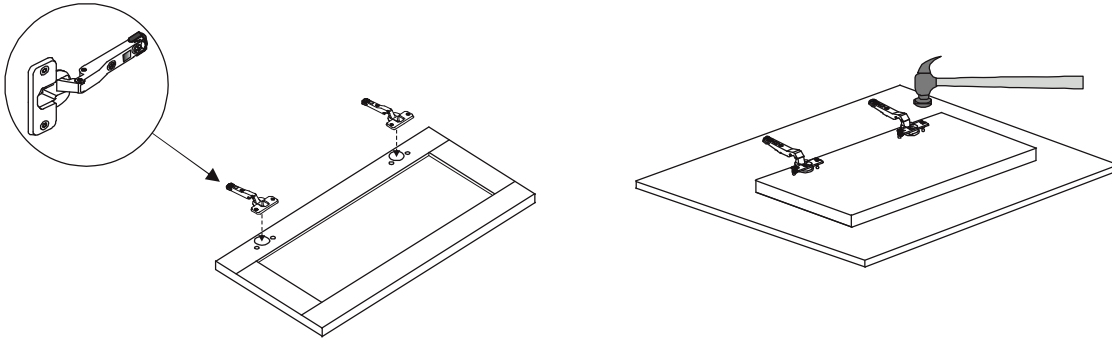


1. **\*\*important\*\* the INSIDE depth of the cabinet remains the same as our standard wall cabinets, 11" deep.**
2. On a corner wall with 15" deep gables, you must increase the cabinet width by 3".
3. Full 15" deep wall cabinets are available as a custom. See page 7.3 for available customs and pricing.
4. Some framing/cleating is required to attach these cabinets to the wall.

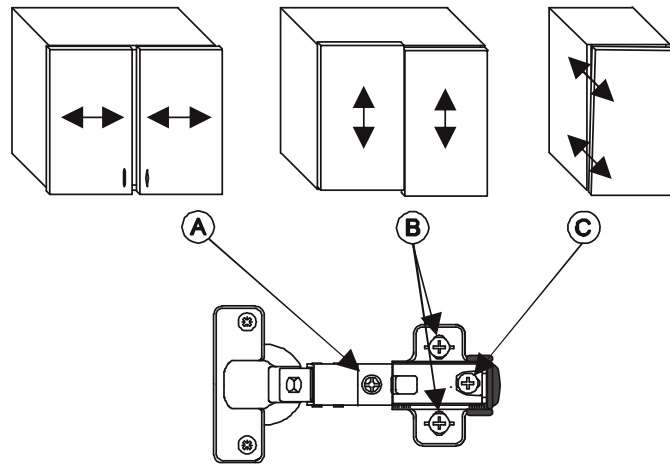
# INSTALLATION TIPS

## HINGE INSTALLATION & ADJUSTMENT

On a clean surface, install hinges into the door(s) by **gently** hammering the hinge until fully seated. Install the doors by attaching the hinges to the mounting plates on the cabinet and click into place.



Adjust the hinges and move doors to fill any gaps.



# INSTALLATION TIPS

## MOLDING & VALANCE INSTALLATION

It is important to know how to properly install moldings. Euro-Rite offers 4 different types of crown:

CM = standard

CMS = shaker crown

CMC = colonial crown

CMB = bull-nose crown and 2 different valance options

This chart shows what crown options you have with our door styles. See page 4.3 for crown prices.

DOOR STYLE	TYPE OF CROWN
San Juan (R)	CM, CMC
Saltspring (FO)	CM, CMC
Bowen (RO)	CM, CMC
Cortes (M)	CM, CMS, CMC
Rainier (RM)	CM, CMS, CMC
Cascade (RA)	CM, CMS, CMC
Monterrey (AB, OW, BW, CP, FM)	CMB, CM*, CMS* (*chocolate pear only)
Santos (VW, VAW)	CM, CMS, CMC
Solaire (FPW, FPCP, FPWC)	CM, CMS, CMC
Seymour (FAW)	CM, CMS, CMC
Capilano (RAW)	CM, CMS, CMC
Cyprus (SCPS, SWCS, SSS, SHNS)	CM, CMS, CMC
Langdale (RCPS, RWCS, RSS, RHNS)	CM, CMS, CMC

When installing molding there are a few options. This diagram shows all the applicable applications.

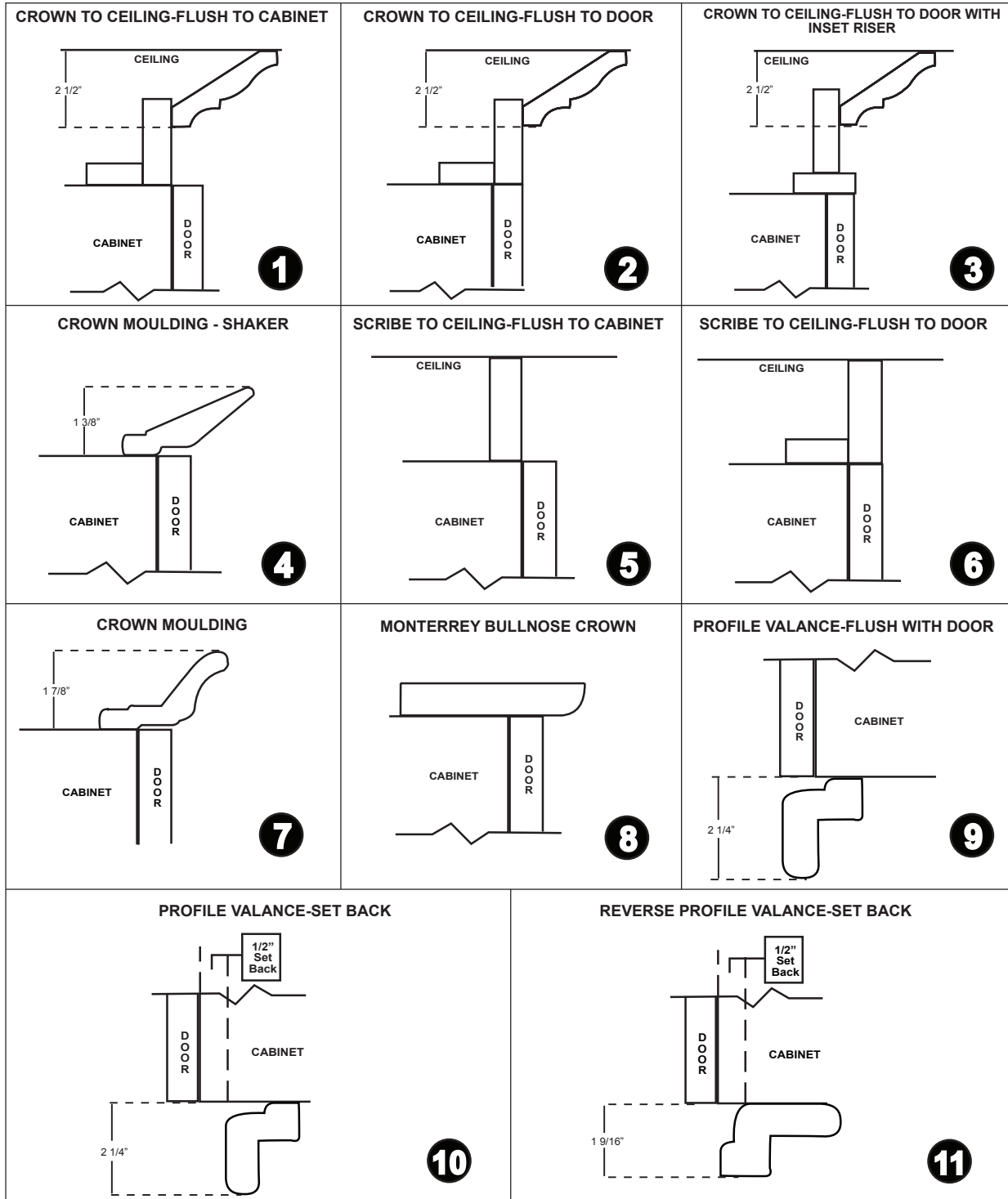
Tips to Remember:

1. Ceilings are not always square.
2. With an 8" ceiling and 42"H upper wall cabinets, crown should not be used. 36"H are ok to use.

**See the following chart for molding installation diagrams.**

# INSTALLATION TIPS

## OPTIONS FOR INSTALLING CROWN & VALANCE DIAGRAMS



# INSTALLATION TIPS

## MEASURING FOR COUNTERTOP & INSTALLATION

Countertop build up is required for all Euro-Rite base cabinets.

## BDE (Base Diagonal End) MEASUREMENTS FOR COUNTERTOP CUTTING

Then measuring for countertops on this unique cabinet required, requires the specific sizes indicated on this diagram.

