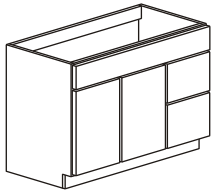
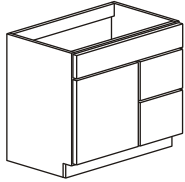


Assembly Instructions

Vanity Sink 30" or 36"
w/2 Drawers on Left or Right

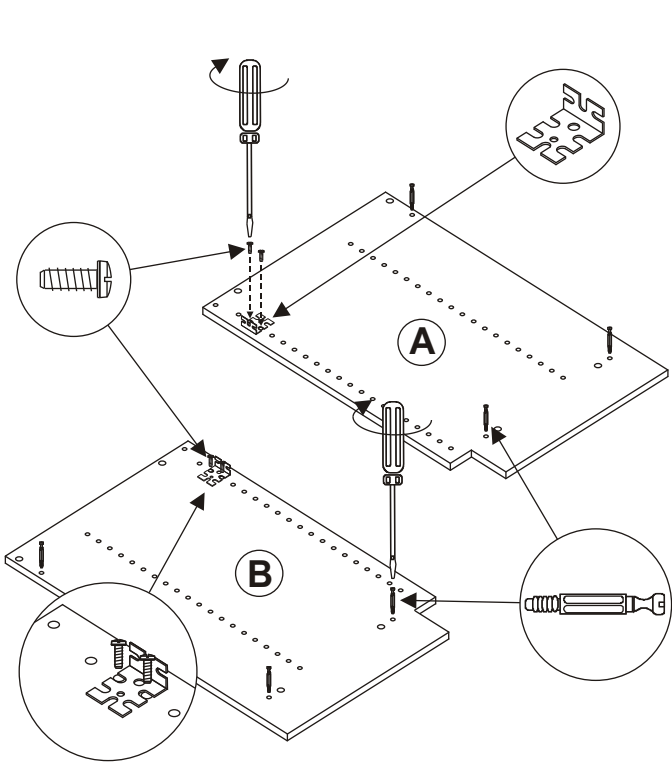
VSD30-2
VSD36-2



6 0540 0005	6 0540 0025	6 0540 0015	12 0540 0040
3 0560 0015	2 0540 0030	2 VSD36 ONLY 0540 0110	2 VSD36 ONLY 0540 0115
16 0540 0090	4 0540 0045	2 0540 0095	4 0540 0100
2 0550 0070	2 0530 0075	2 0530 0070	3-30" 4-36" 0550 0025
2-30" 4-36" 0510 0100	2 LEFT CABINET SLIDE	2 RIGHT CABINET SLIDE	
2-30" 4-36" 0510 0055	LEFT DRAWER SIDE 0530 0030	RIGHT DRAWER SIDE	

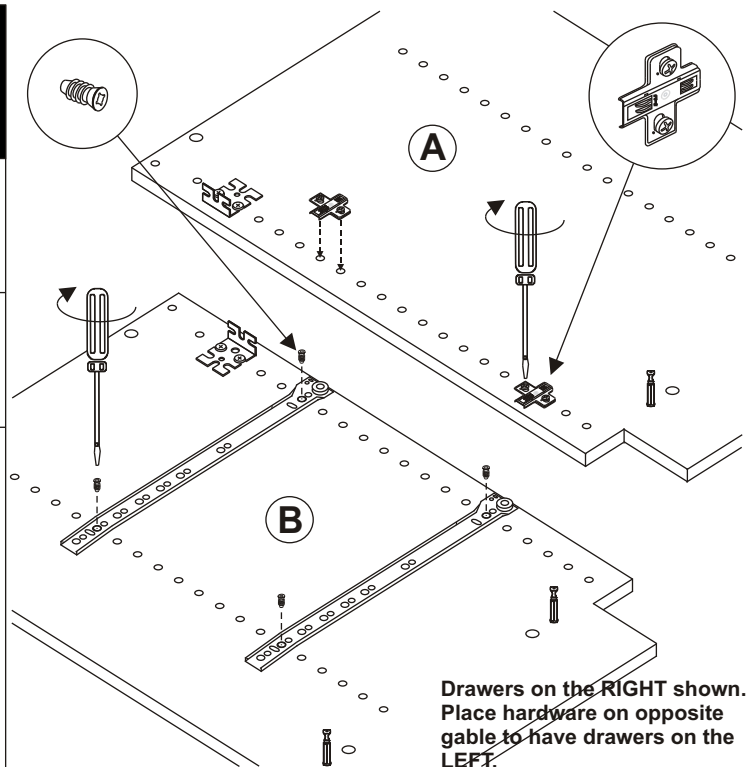
1

- x 6
- x 4
- x 2

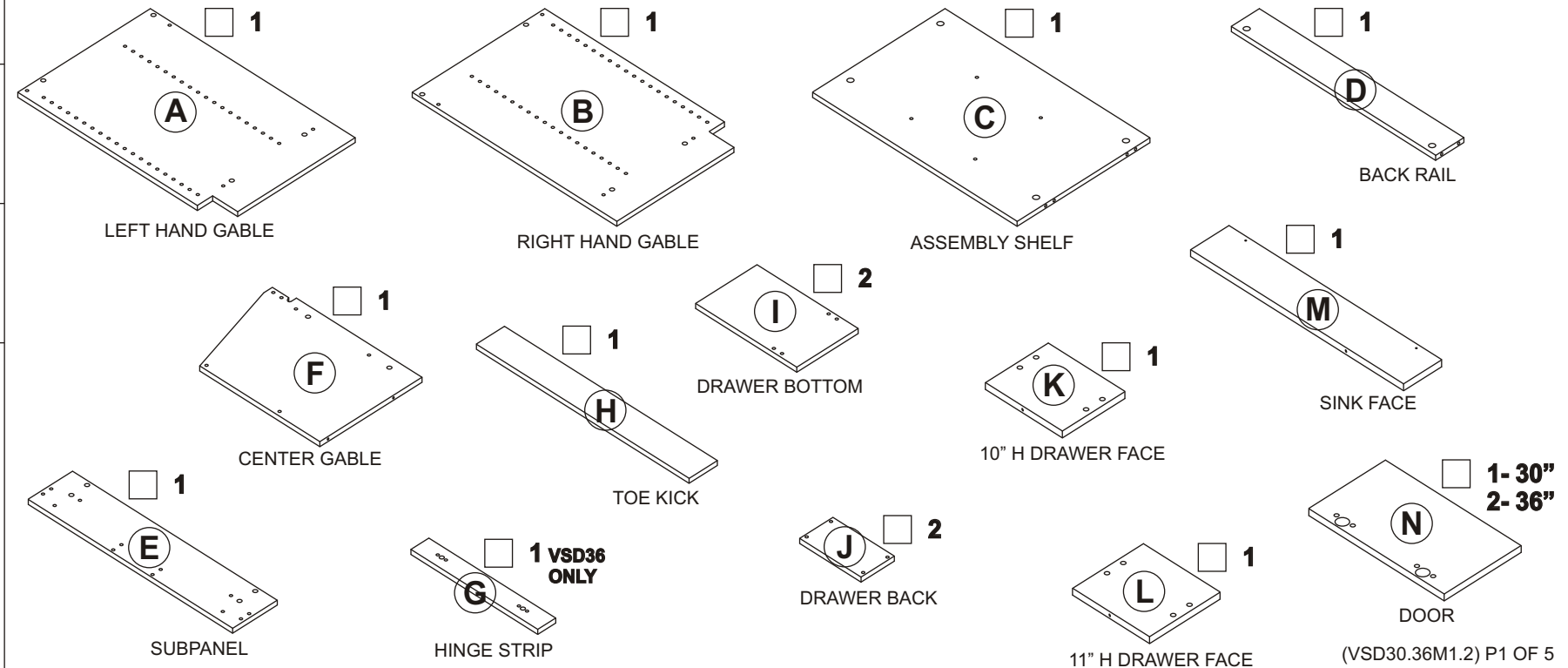


2


- x 4
- x 2



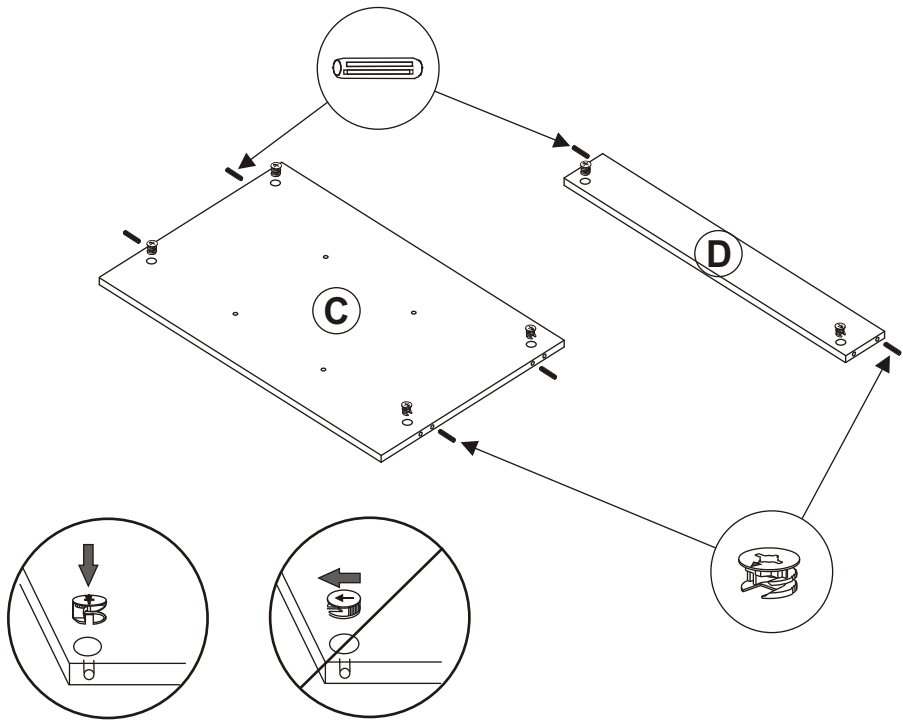
Drawers on the RIGHT shown.
Place hardware on opposite
gable to have drawers on the
LEFT.



3

 x 6

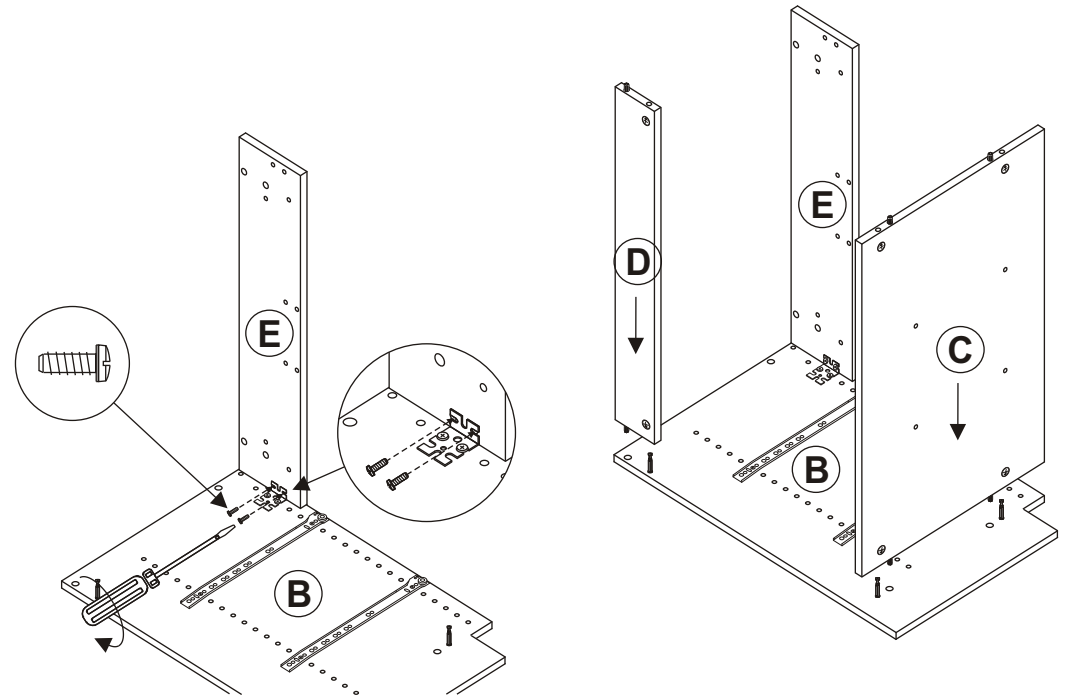
 x 6



4

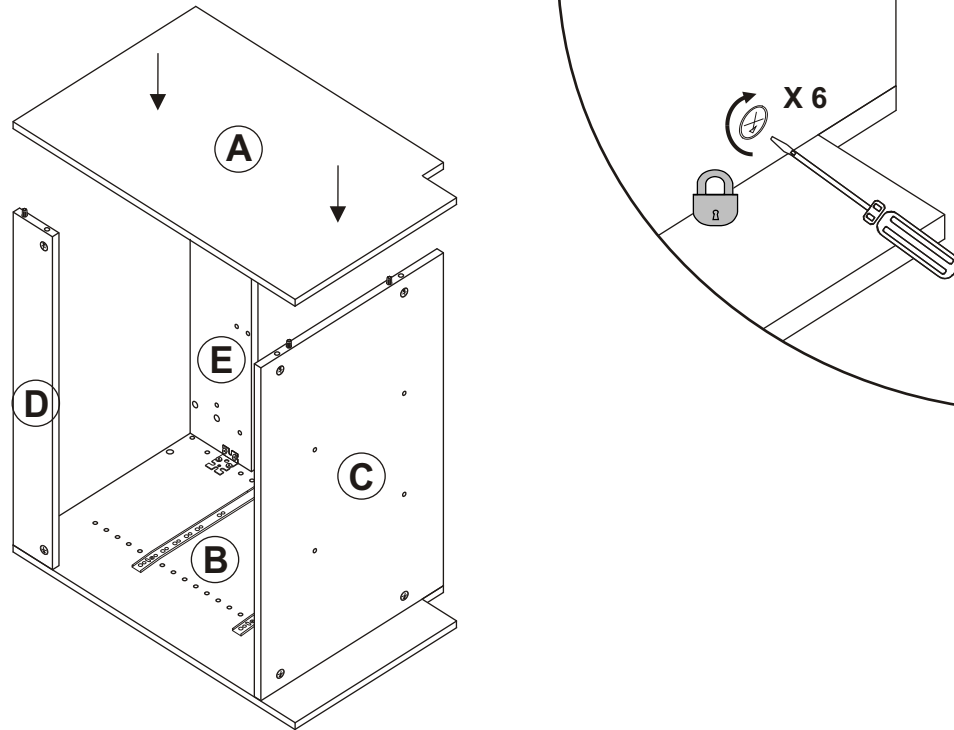
 x 2

E → B
C → B
D → B



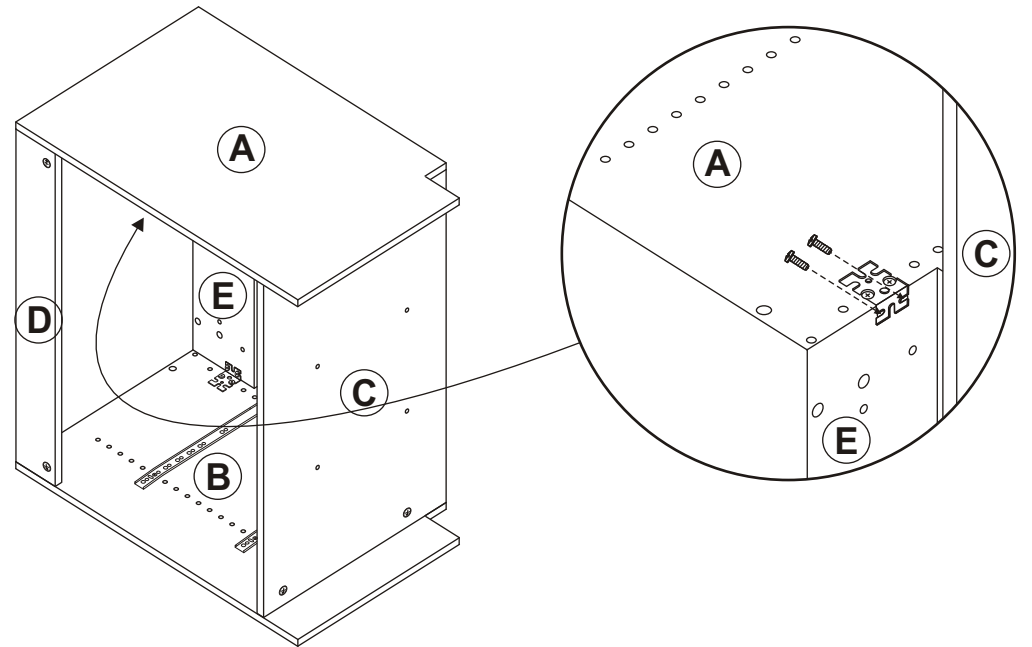
5

A → C, D
& E



6

 x 2

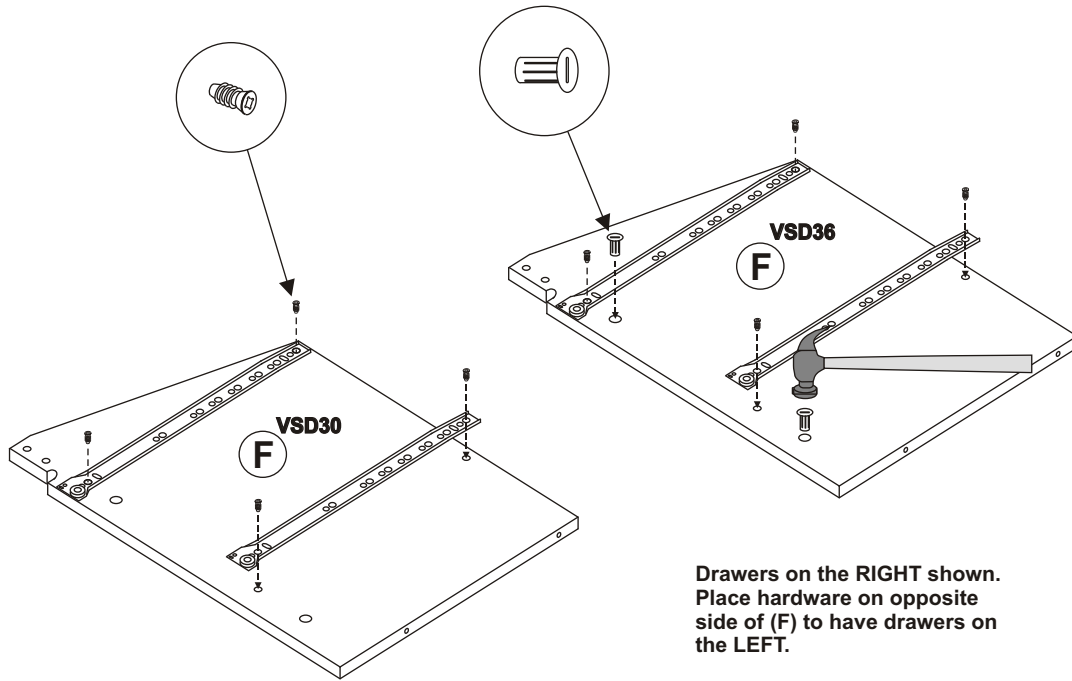


7

x 4

VSD36 ONLY

x 2



Drawers on the RIGHT shown. Place hardware on opposite side of (F) to have drawers on the LEFT.

8

VSD36 ONLY

x 2

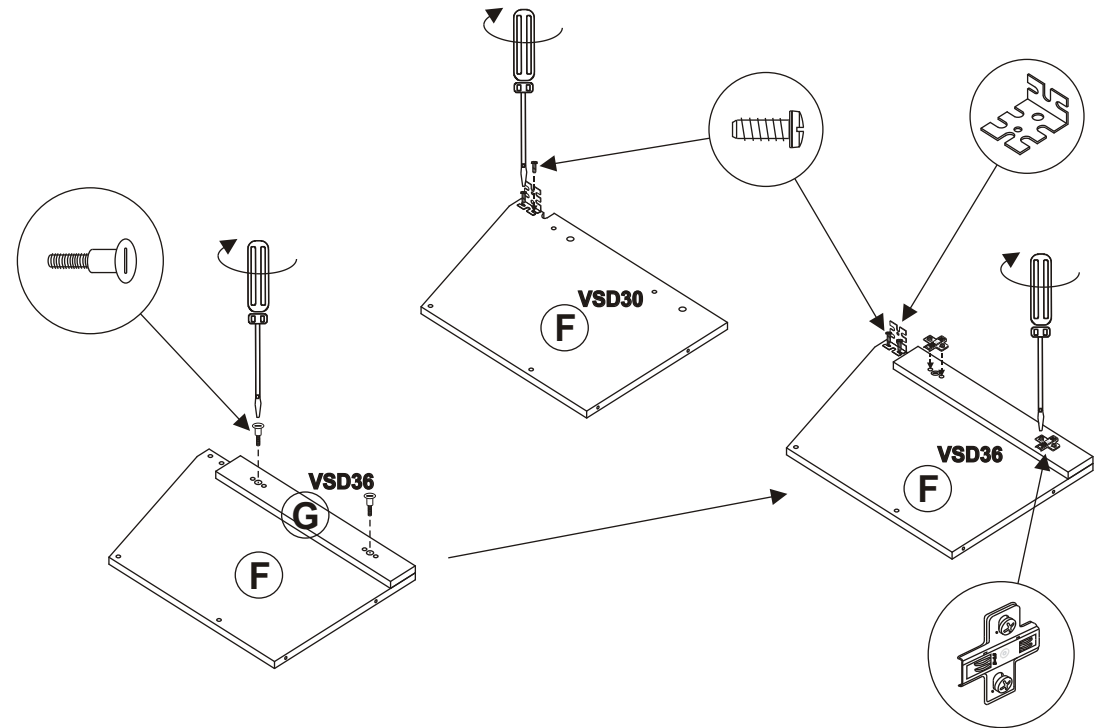
G → F
VSD36 ONLY

VSD36 ONLY

x 2

x 2

x 1

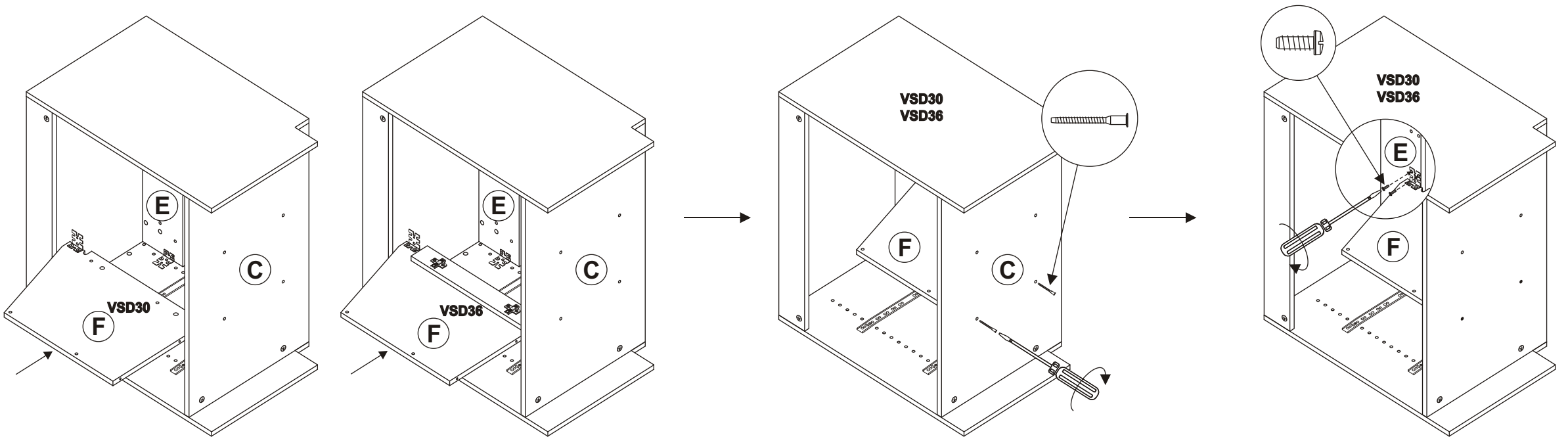


9

x 2

x 2

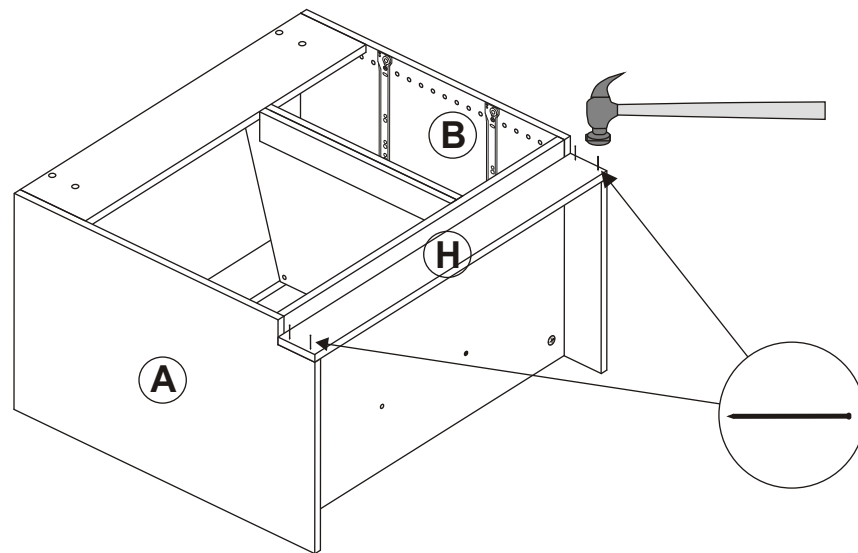
F → C, E



10

x 4

H → A, B

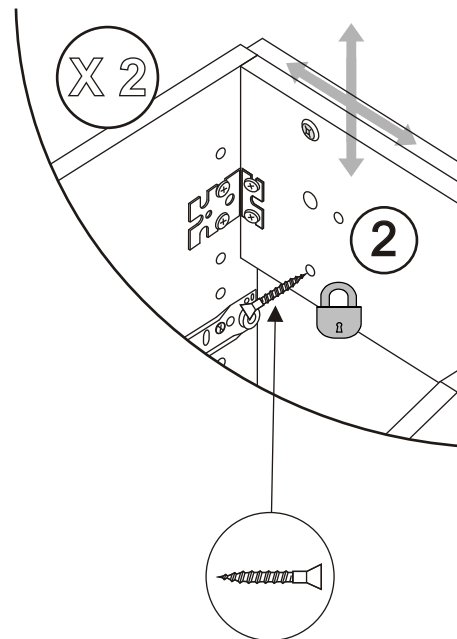
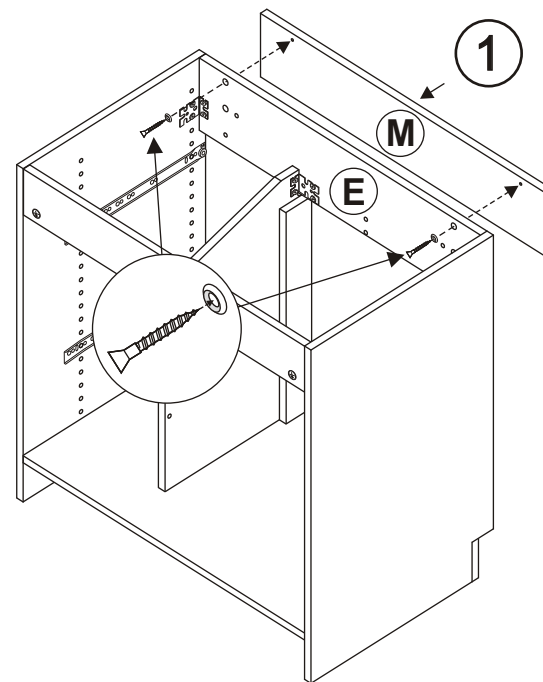


11

x 4

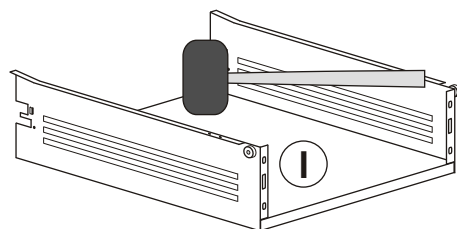
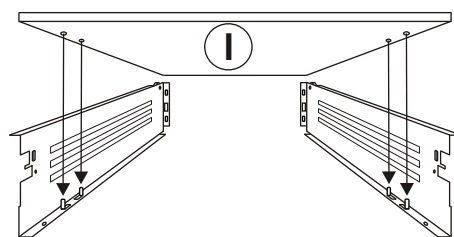
x 2

M → E



12

X 2

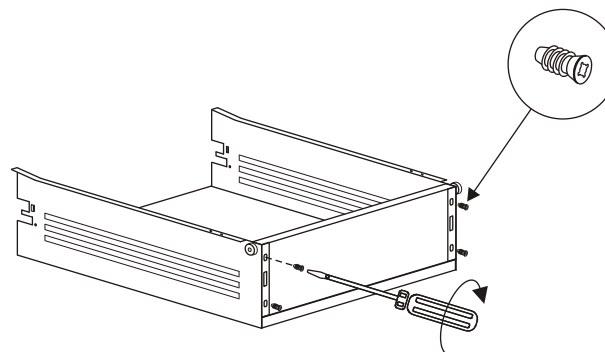
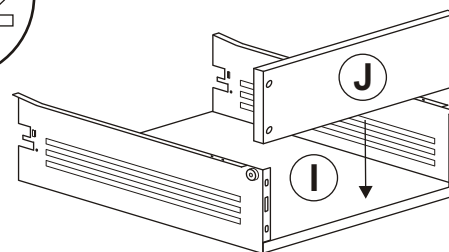


13

x 8

J → I

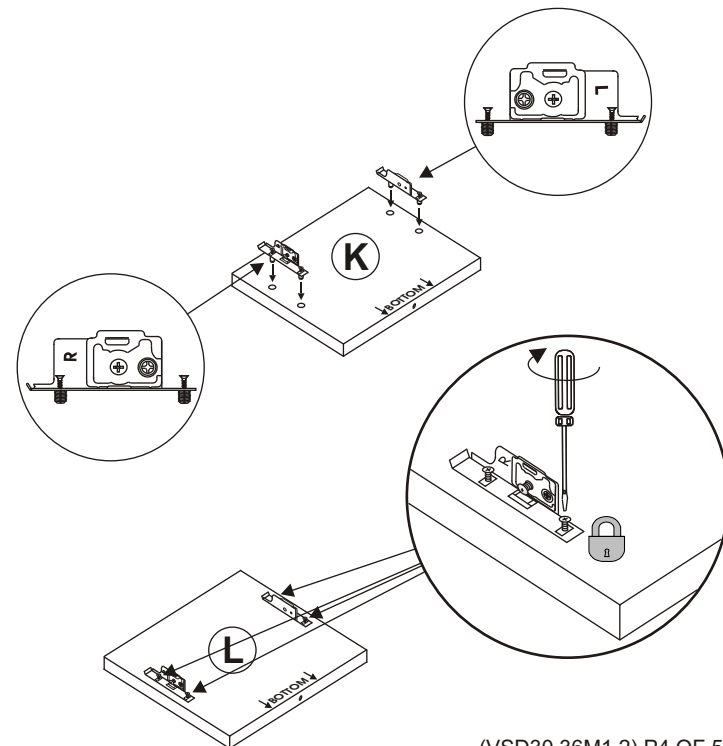
X 2



14

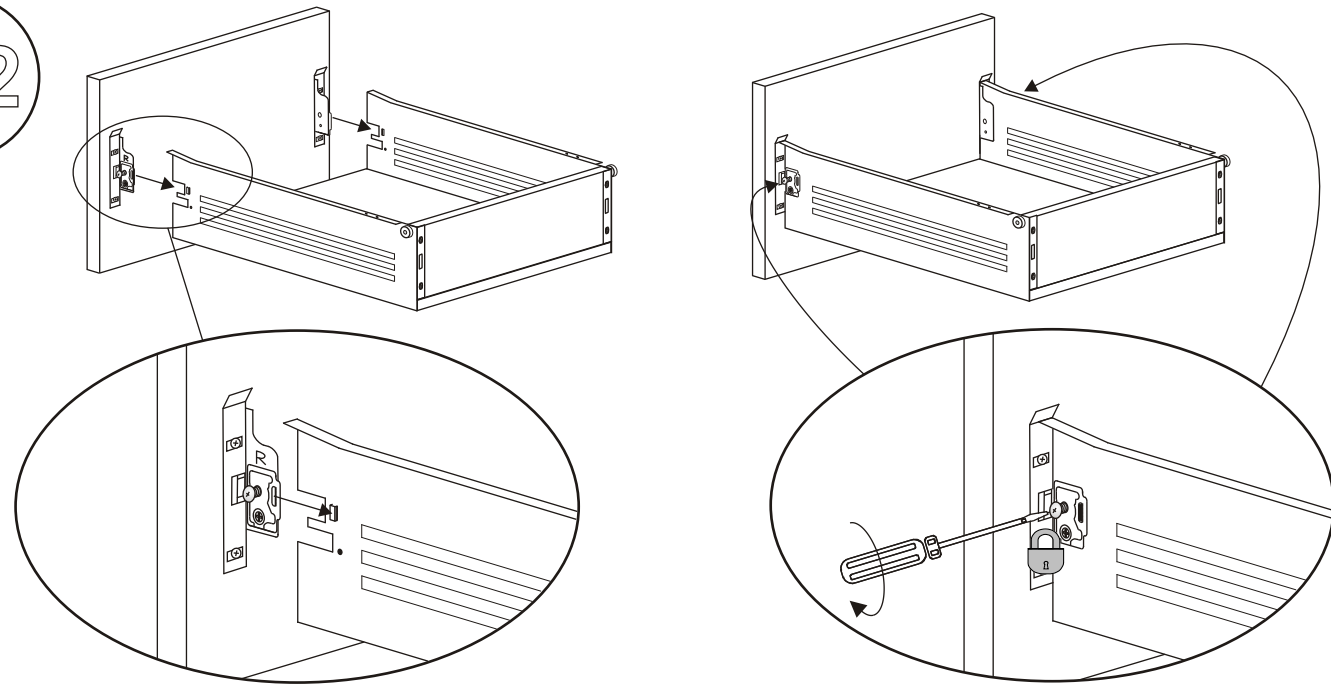
x 2

x 2

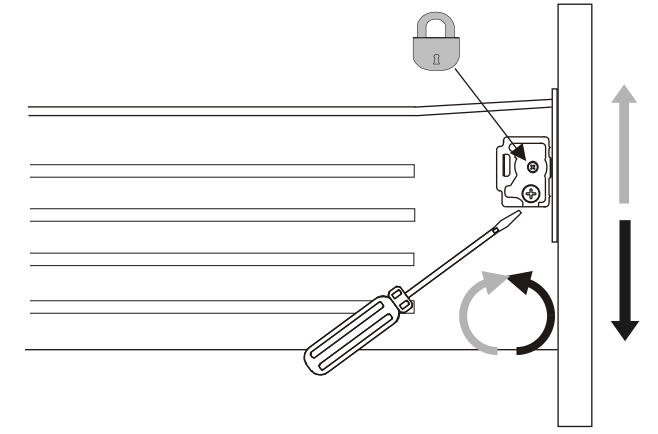


15

X 2

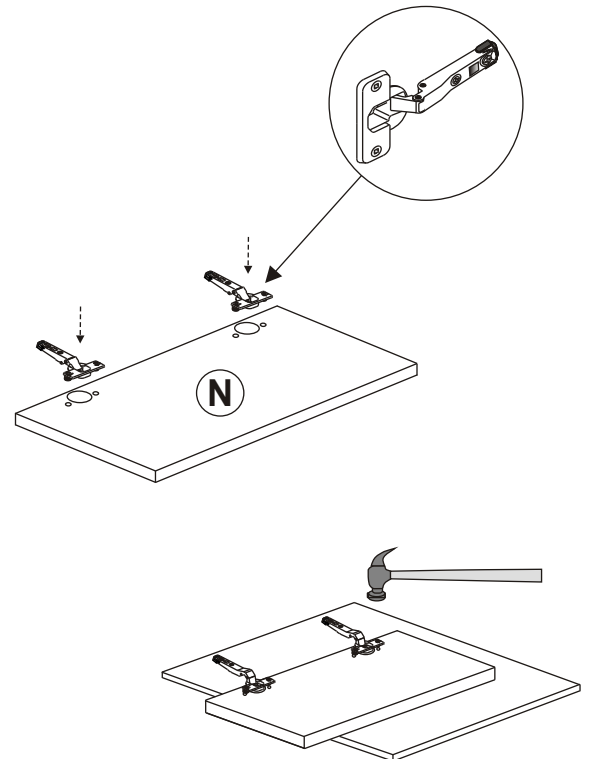


16



17

x 2
VSD30
x 4
VSD36



18

