



1610 Industrial Avenue
 Port Coquitlam BC V3C 6N3
 Phone: (604) 464-5060 Fax: (604) 464-7210

Order	ORD135955
Date	2/17/2009
Page	1

ORDER ACKNOWLEDGEMENT

BILLING ADDRESS

Bill To:

RICK NUNES
 1610 Industrial Ave
 Port Coquitlam BC V3C 6N3

Ship To:

RICK NUNES
 1610 Industrial Ave
 Port Coquitlam BC V3C 6N3

OUR ORDER #

SHIP TO ADDRESS

YOUR PO #

PAYMENT TERMS

QUANTITY ORDERED

SHIP DATE

ITEM CODE

DEALER COST (NOT LIST PRICE)

SHIPPING INSTRUCTIONS

ITEM DESCRIPTION

Purchase Order No.	Customer ID	Salesperson ID	Shipping Method	Payment Terms	Req Ship Date	Master No.	
RN12345	RN	RN			2/17/2009	22,169	
Ordered	Shipped	B/O	Item Number	Description	Discount	Unit Price	Ext. Price
1	1	0	CW2442	24W X 42H CORNER WALL CAB	\$ 0.00	\$ 260.00	\$ 260.00
1	1	0	W3342	33W X 42H WALL CABINET	\$ 0.00	\$ 110.00	\$ 110.00
1	1	0	W3042	30W X 42H WALL CABINET	\$ 0.00	\$ 105.00	\$ 105.00
1	1	0	W3024	30W X 24H WALL CABINET	\$ 0.00	\$ 75.00	\$ 75.00
1	1	0	W2442	24W X 42H WALL CABINET	\$ 0.00	\$ 95.00	\$ 95.00
1	1	0	AW331524-W	33W X 15H X 24D WALL WHT	\$ 0.00	\$ 125.00	\$ 125.00
1	1	0	MM3042-W	30W X 42H MICROWV WALL W	\$ 0.00	\$ 145.00	\$ 145.00
1	1	0	3342R	33W X 42H DR PK SAN JUAN	\$ 0.00	\$ 260.00	\$ 260.00
1	1	0	3042R	30W X 42H DR PK SAN JUAN	\$ 0.00	\$ 240.00	\$ 240.00
1	1	0	3024R	30W X 24H DR PK SAN JUAN	\$ 0.00	\$ 140.00	\$ 140.00
1	1	0	3024R	30W X 24H DR PK SAN JUAN	\$ 0.00	\$ 140.00	\$ 140.00
1	1	0	2442R	24W X 42H DR PK SAN JUAN	\$ 0.00	\$ 225.00	\$ 225.00
1	1	0	2442CR	24W X 42H CHR DR SAN JUAN	\$ 0.00	\$ 180.00	\$ 180.00
1	1	0	3315R	33W X 15H DR PK SAN JUAN	\$ 0.00	\$ 120.00	\$ 120.00
Subtotal						\$ 2,220.00	
Misc						\$ 0.00	
Tax						\$ 268.40	
Freight						\$ 0.00	
Trade Discount						\$ 0.00	
Total						\$ 2,488.40	

THANK YOU FOR YOUR ORDER.
 CHANGES ARE NOT ACCEPTED ON ORDERS WITHOUT PENALTY

How to Order

The following pages will explain in full detail the steps to request a quote and place an order.

It's simple and we're here to help!

SECTION INDEX

TABLE OF CONTENTS

INDEX	PAGE
Requesting A Quote	8.2
Our 2-Step Order Process	8.3
Who To Call	8.4
Order Forms	8.5 - 8.22
• Standard Program	8.5 - 8.10
• Kitchen	8.5 - 8.10
• Accessories	8.9 - 8.10
• Cabinet Components	8.11
• Knobs & Pulls, Metabox Drawer Parts & Hinges	8.11
• Shelf Packs & Tandembox Soft Close Drawer Parts	8.12
• Hardware & Sample Doors	8.13 - 8.14
• Replacement Doors & Drawer Faces	8.14
• Veneer Program	8.15 - 8.20
• Kitchen	8.15 - 8.19
• Accessories	8.20
• Soft Close Cabinets (Standard & Veneer)	8.21
• Vanity	8.22

REQUESTING A QUOTE

SEND US YOUR REQUEST FOR A QUOTE:

Fax Measurement / List to: 1-604-464-7210 -or-
1-866-881-4325
Or Email Measurement / List to: orders@eurorite.com

GUIDELINES FOR REQUESTING A QUOTE

- A quotation document will be returned to the store within 1 business day.
- Quotes done in 20:20 are in LIST PRICE. Prices listed on Euro-Rite's "Order Quotation" document are at your cost after your multiplier has been applied.
- Review your quote. Send changes / revisions back to Euro-Rite Cabinets written directly on the quote pages sent to you. Revisions will be made and a second quote will be sent back to the store for approval.
- Once the quote is approved and when you decide to place an order for the items quoted, see our "2-Step Order Process" page.
- All quotes will remain in Euro-Rite's system for 60 days. After 60 days the quote will be deleted from our system.
- Quotes are not a commitment to purchase. Ship dates will not be assigned to any quote. Ship dates are assigned to committed orders only.
- Any document sent to Euro-Rite with a purchase order number on it will be deemed a committed order and will be processed as an order (See our "2-Step Order Process" page.)

****IMPORTANT****

Store purchase orders MUST contain Euro-Rite's product codes to be processed.

OUR 2-STEP ORDER PROCESS

1. SEND US YOUR PURCHASE ORDER:

Fax Order to: 1-604-464-7210 -or-
1-866-881-4325
Or Email Order to: orders@eurorite.com

2. CHECK YOUR ORDER ACKNOWLEDGEMENT SENT BACK TO YOU.

A **SHIP DATE** will be assigned to the order at this stage, based on Euro-Rite's product lead times.

****IMPORTANT****

If you do not receive an order acknowledgement within 24 hours of sending in your purchase order, contact Euro-Rite Cabinets' customer service toll-free 1-888-464-5063.

GUIDELINES FOR PLACING AN ORDER

- Orders must have a store purchase order, otherwise they will be treated as quotes. (See "Requesting a Quote" page.)
- Orders must contain Euro-Rite Cabinets' product codes or they will be treated as quotes. (See "Requesting a Quote" page.)
- It is our goal to enter orders into the system the same day they are received. Please note that delays may occur during high volume periods.
- Once the order is entered and an order acknowledgement is sent, you have 24 hours to make any corrections or unforeseen changes. Please fax or email revisions to the above numbers. Changes will affect the ship date.
- After the 24 hours period, the order will be in the production process and no changes will be accepted.
- Orders do not require a signed off copy to be sent back to Euro-Rite Cabinets.
- If combining orders to meet your prepaid limit, the ship date will always be set by the date of the last order placed (longest lead time).

For example: If your prepaid amount is \$1500.00:

PO 1234 Placed Today = \$1240.00 San Juan (1 Week)
PO 5678 Placed Today = \$750.00 Solaire CP (4 Weeks)

Both orders ship in 4 weeks.

WHO TO CALL

CHANGES TO 20:20 DESIGNS/QUOTES

- QUESTIONS ON PRICING

SALES DIRECT

1-604-464-3477
1-888-412-3477

CHANGES TO ORDER ACKNOWLEDGMENTS

(WITHIN 24 HOURS)

CUSTOMER SERVICE

1-604-464-5060
1-888-464-5063

TRACK THE STATUS OF AN ORDER

CUSTOMER SERVICE

1-604-464-5060
1-888-464-5063

SHIPPING ISSUES

- FREIGHT DAMAGE
- WARRANTY CLAIMS

CUSTOMER SERVICE

1-604-464-5060
1-888-464-5063

ACCOUNT INFORMATION

- SHIPPING TERMS
- PRICE MULTIPLIER
- CHANGES TO ACCOUNT

SALES DIRECT

1-604-464-3477
1-888-412-3477

BILLING

- STATEMENTS
- INVOICE CORRECTIONS

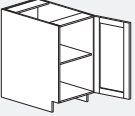


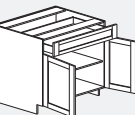
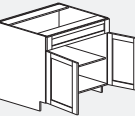
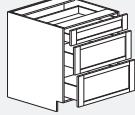


ACCOUNTS RECEIVABLE

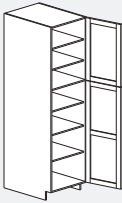
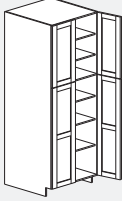
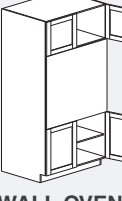
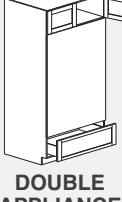
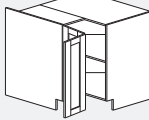
1-604-464-5060
1-888-464-5063

ORDER FORM STANDARD PROGRAM

Date _____
 Store/Dealer _____
 Contact Person _____
 P.O.: _____

Tag: _____
 Shipping Info _____
 Door Style _____

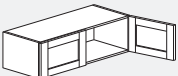
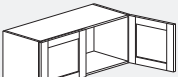
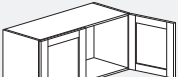
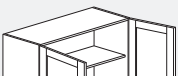
BASE CABINETS	Cross Members	Qty	Gable Pack	Qty	Door Pack	Qty
 1 DOOR	B09	___	BG-___	___	D0930	___
	B12	___	BG-___	___	D1230	___
	B15	___	BG-___	___	D1530	___
	B18	___	BG-___	___	D1830	___
	B21	___	BG-___	___	D2130	___
 2 DOORS	B24	___	BG-___	___	D2430	___
	B27	___	BG-___	___	D2730	___
	B30	___	BG-___	___	D3030	___
	B33	___	BG-___	___	D3330	___
	B36	___	BG-___	___	D3630	___
 1 DOOR 1 DRAWER	BD12	___	BG-___	___	D12D	___
	BD15	___	BG-___	___	D15D	___
	BD18	___	BG-___	___	D18D	___
	BD21	___	BG-___	___	D21D	___
	* to order Soft Close see pg 8.21					
 2 DOORS 1 DRAWER	BD24	___	BG-___	___	D24D	___
	BD27	___	BG-___	___	D27D	___
	BD30	___	BG-___	___	D30D	___
	BD33	___	BG-___	___	D33D	___
	BD36	___	BG-___	___	D36D	___
* to order Soft Close see pg 8.21						
 2 DOORS SINK FACE	B30	___	BG-___	___	D30D	___
	B33	___	BG-___	___	D33D	___
	B36	___	BG-___	___	D36D	___
 3 DRAWER POTS & PANS BANK	PB24	___	BG-___	___	D24PB	___
	PB30	___	BG-___	___	D30PB	___
* to order Soft Close see pg 8.21						
 4 DRAWER BANK	DB12	___	BG-___	___	D12DB	___
	DB15	___	BG-___	___	D15DB	___
	DB18	___	BG-___	___	D18DB	___
* to order Soft Close see pg 8.21						
 DESK DRAWER BANK	DDB15	___	DDG-___	___	D15DDB	___

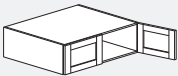


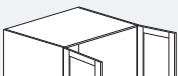
TALL CABINETS	Cross Members	Qty	Gable Pack	Qty	Door Pack	Qty
 18"W PANTRY	84"H, 90"H					
	P1824	___	PG84-___	___	D1884P	___
	P1824	___	PG90-___	___	D1890P	___
	95"H (REQUIRES EXTENSION KITS)					
	P1824	___	PG84-___	___	D1895P	___
PE1824	___	< (EXTENSION KIT)				
WG1224-___	< (EXTENSION KIT)					
 24"W PANTRY	84" & 90" TALL					
	P2424	___	PG84-___	___	D2484P	___
	P2424	___	PG90-___	___	D2490P	___
	95"H (REQUIRES EXTENSION KITS)					
	P2424	___	PG84-___	___	D2495P	___
PE2424	___	< (EXTENSION KIT)				
WG1224-___	< (EXTENSION KIT)					
 WALL OVEN	84" & 90" TALL					
	WO33	___	OG84-___	___	D3384WO	___
	WO33	___	OG90-___	___	D3390WO	___
	95"H (REQUIRES EXTENSION KITS)					
	WO33	___	OG84-___	___	D3395WO	___
AW3324	___	< (EXTENSION KIT)				
WG1224-___	< (EXTENSION KIT)					
 DOUBLE APPLIANCE WALL	84" & 90" TALL					
	MWO33	___	OG84-___	___	D3384MWO	___
	MWO33	___	OG90-___	___	D3390MWO	___
	95"H (REQUIRES EXTENSION KITS)					
	MWO33	___	OG84-___	___	D3395MWO	___
AW3324	___	< (EXTENSION KIT)				
WG1224-___	< (EXTENSION KIT)					
* to order Soft Close see pg 8.21						
 STANDARD CORNER	CORNER BASE CABINETS					
	Cross Members	Qty	Gable Pack	Qty	Door Pack	Qty
CCB3333	___	BCG-___	___	D3333C	___	
CCB3636	___	BCG-___	___	D3636C	___	
* For Non-Standard Corners, see page 8.7						

ORDER FORM STANDARD PROGRAM

Date _____
 Store/Dealer _____
 Contact Person _____
 P.O.: _____

Tag: _____
 Shipping Info _____
 Door Style _____

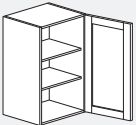
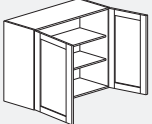
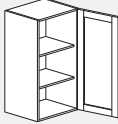
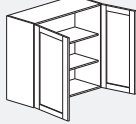
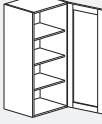
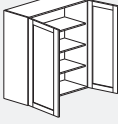
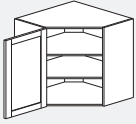
STANDARD APPLIANCE	Cross Members	Qty	Gable Pack	Qty	Door Pack	Qty
	AW30	___	WG12-__	___	D3012_	___
	AW33	___	WG12-__	___	D3312_	___
	AW36	___	WG12-__	___	D3612_	___
12" H						
	AW24	___	WG15-__	___	D2415_	___
	AW30	___	WG15-__	___	D3015_	___
	AW33	___	WG15-__	___	D3315_	___
	AW36	___	WG15-__	___	D3615_	___
15" H						
	AW24	___	WG18-__	___	D2418_	___
	AW30	___	WG18-__	___	D3018_	___
	AW33	___	WG18-__	___	D3318_	___
	AW36	___	WG18-__	___	D3618_	___
18" H						
	W24	___	WG24-__	___	D2424_	___
	W30	___	WG24-__	___	D3024_	___
	W33	___	WG24-__	___	D3324_	___
	W36	___	WG24-__	___	D3624_	___
24" H						

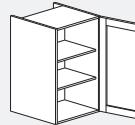
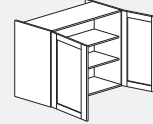
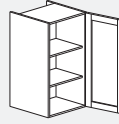
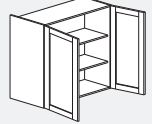

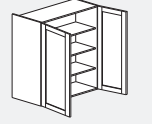

DEEP APPLIANCE	Cross Members	Qty	Gable Pack	Qty	Door Pack	Qty
	AW3024	___	WG1224-__	___	D3012_	___
	AW3324	___	WG1224-__	___	D3312_	___
	AW3624	___	WG1224-__	___	D3612_	___
12"H x 24"D						
	AW3024	___	WG1524-__	___	D3015_	___
	AW3324	___	WG1524-__	___	D3315_	___
	AW3624	___	WG1524-__	___	D3615_	___
15"H x 24"D						
	AW3024	___	WG1824-__	___	D3018_	___
	AW3324	___	WG1824-__	___	D3318_	___
	AW3624	___	WG1824-__	___	D3618_	___
18"H x 24"D						
	AW3024	___	WG2424-__	___	D3024_	___
	AW3324	___	WG2424-__	___	D3324_	___
	AW3624	___	WG2424-__	___	D3624_	___
24"H x 24"D						

ORDER FORM STANDARD PROGRAM

Date _____
 Store/Dealer _____
 Contact Person _____
 P.O.: _____

Tag: _____
 Shipping Info _____
 Door Style _____

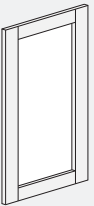
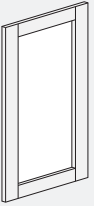
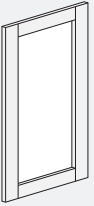
WALL CABINETS	Cross Members	Qty	Gable Pack	Qty	Door Pack	Qty
 30" HIGH 1 DOOR	W09	___	WG30-__	___	D0930__	___
	W12	___	WG30-__	___	D1230__	___
	W15	___	WG30-__	___	D1530__	___
	W18	___	WG30-__	___	D1830__	___
	W21	___	WG30-__	___	D2130__	___
 30" HIGH 2 DOORS	W24	___	WG30-__	___	D2430__	___
	W27	___	WG30-__	___	D2730__	___
	W30	___	WG30-__	___	D3030__	___
	W33	___	WG30-__	___	D3330__	___
	W36	___	WG30-__	___	D3630__	___
 36" HIGH 1 DOOR	W09	___	WG36-__	___	D0936__	___
	W12	___	WG36-__	___	D1236__	___
	W15	___	WG36-__	___	D1536__	___
	W18	___	WG36-__	___	D1836__	___
	W21	___	WG36-__	___	D2136__	___
 36" HIGH 2 DOORS	W24	___	WG36-__	___	D2436__	___
	W27	___	WG36-__	___	D2736__	___
	W30	___	WG36-__	___	D3036__	___
	W33	___	WG36-__	___	D3336__	___
	W36	___	WG36-__	___	D3636__	___
 42" HIGH 1 DOOR	WT09	___	WG42-__	___	D0942__	___
	WT12	___	WG42-__	___	D1242__	___
	WT15	___	WG42-__	___	D1542__	___
	WT18	___	WG42-__	___	D1842__	___
	WT21	___	WG42-__	___	D2142__	___
 42" HIGH 2 DOORS	WT24	___	WG42-__	___	D2442__	___
	WT27	___	WG42-__	___	D2742__	___
	WT30	___	WG42-__	___	D3042__	___
	WT33	___	WG42-__	___	D3342__	___
	WT36	___	WG42-__	___	D3642__	___
 CORNER WALL 30"H SHOWN HERE	DCW2142	___	WG42-__	___	D2142C__	___
	DCW2442	___	WG42-__	___	D2442C__	___
	DCW2136	___	WG36-__	___	D2136C__	___
	DCW2436	___	WG36-__	___	D2436C__	___
	DCW2130	___	WG30-__	___	D2130C__	___
DCW2430	___	WG30-__	___	D2430C__	___	

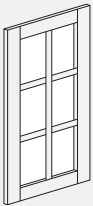
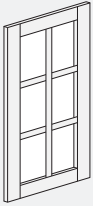
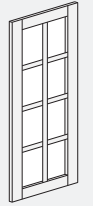
WALL CABINETS	Cross Members	Qty	Gable Pack	Qty	Door Pack	Qty
 30"H x 15"D 1 DOOR	W09	___	WG3015-__	___	D0930__	___
	W12	___	WG3015-__	___	D1230__	___
	W15	___	WG3015-__	___	D1530__	___
	W18	___	WG3015-__	___	D1830__	___
	W21	___	WG3015-__	___	D2130__	___
 30"H x 15"D 2 DOORS	W24	___	WG3015-__	___	D2430__	___
	W27	___	WG3015-__	___	D2730__	___
	W30	___	WG3015-__	___	D3030__	___
	W33	___	WG3015-__	___	D3330__	___
	W36	___	WG3015-__	___	D3630__	___
 36"H x 15"D 1 DOOR	W09	___	WG3615-__	___	D0936__	___
	W12	___	WG3615-__	___	D1236__	___
	W15	___	WG3615-__	___	D1536__	___
	W18	___	WG3615-__	___	D1836__	___
	W21	___	WG3615-__	___	D2136__	___
 36"H x 15"D 2 DOORS	W24	___	WG3615-__	___	D2436__	___
	W27	___	WG3615-__	___	D2736__	___
	W30	___	WG3615-__	___	D3036__	___
	W33	___	WG3615-__	___	D3336__	___
	W36	___	WG3615-__	___	D3636__	___
 42"H x 15"D 1 DOOR	WT09	___	WG4215-__	___	D0942__	___
	WT12	___	WG4215-__	___	D1242__	___
	WT15	___	WG4215-__	___	D1542__	___
	WT18	___	WG4215-__	___	D1842__	___
	WT21	___	WG4215-__	___	D2142__	___
 42"H x 15"D 2 DOORS	WT24	___	WG4215-__	___	D2442__	___
	WT27	___	WG4215-__	___	D2742__	___
	WT30	___	WG4215-__	___	D3042__	___
	WT33	___	WG4215-__	___	D3342__	___
	WT42	___	WG4215-__	___	D3642__	___
 CORNER WALL 15"D 30"H SHOWN HERE	DCW2142	___	WG4215-__	___	D2142C__	___
	DCW2442	___	WG4215-__	___	D2442C__	___
	DCW2136	___	WG3615-__	___	D2136C__	___
	DCW2436	___	WG3615-__	___	D2436C__	___
	DCW2130	___	WG3015-__	___	D2130C__	___
DCW2430	___	WG3015-__	___	D2430C__	___	

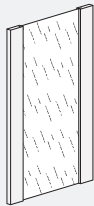
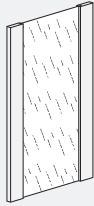
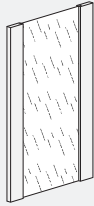
ORDER FORM STANDARD PROGRAM

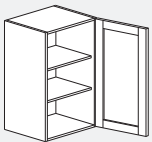
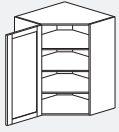
Date _____ Tag: _____
 Store/Dealer _____ Shipping Info _____
 Contact Person _____
 P.O.: _____ Door Style _____

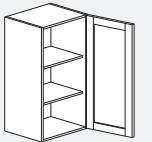

GLASS DOOR OPTIONS

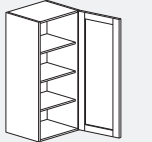
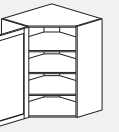
OPEN FRAME	
See pages 2.37-2.39 for door style availability (Does not include glass.)	
Code	Qty
 30"H OPEN FRAME	D1230OF _____ D1530OF _____ D1830OF _____ D2430OF _____ D3030OF _____ D3636OF _____ D2130COF _____ D2430COF _____
 36"H OPEN FRAME	D1236OF _____ D1536OF _____ D1836OF _____ D2436OF _____ D3036OF _____ D3636OF _____ D2136COF _____ D2436COF _____
 42"H OPEN FRAME	D1242OF _____ D1542OF _____ D1842OF _____ D2442OF _____ D3042OF _____ D3642OF _____ D2142COF _____ D2442COF _____

MULLION DOOR	
See pages 2.40-2.42 for door style availability (Does not include glass.)	
Code	Qty
 30"H MULLION	D1230M _____ D1530M _____ D1830M _____ D2430M _____ D3030M _____ D3630M _____ D2130CM _____ D2430CM _____
 36"H MULLION	D1236M _____ D1536M _____ D1836M _____ D2436M _____ D3036M _____ D3636M _____ D2136CM _____ D2436CM _____
 42"H MULLION	D1242M _____ D1542M _____ D1842M _____ D2442M _____ D3042M _____ D3642M _____ D2142CM _____ D2442CM _____

GLASS PANEL	
See pages 2.43-2.45 for door style availability (Comes with glass.)	
Code	Qty
 30"H GLASS PANEL	D1230G _____ D1530G _____ D1830G _____ D2430G _____ D3030G _____ D3630G _____ D2130CG _____ D2430CG _____
 36"H GLASS PANEL	D1236G _____ D1536G _____ D1836G _____ D2436G _____ D3036G _____ D3636G _____ D2136CG _____ D2436CG _____
 42"H GLASS PANEL	D1242G _____ D1542G _____ D1842G _____ D2442G _____ D3042G _____ D3642G _____ D2142CG _____ D2442CG _____

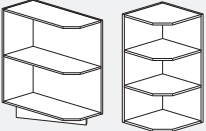
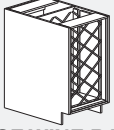
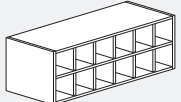
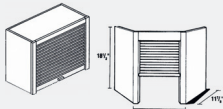
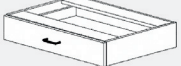
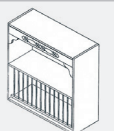
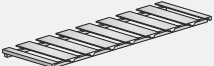
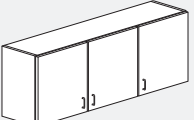
COLOUR CABINETS MELAMINE	
Code	Qty
 30"H 1 DOOR	W1230- _____ W1530- _____ W1830- _____ W2430- _____ W3030- _____ W3630- _____
 30"H 2 DOOR	CW2130- _____ CW2430- _____ CW213015- _____ CW243015- _____

COLOUR CABINETS MELAMINE	
Code	Qty
 36"H 1 DOOR	W1236- _____ W1536- _____ W1836- _____ W2436- _____ W3036- _____ W3636- _____
 36"H 2 DOOR	CW2136- _____ CW2436- _____ CW213615- _____ CW243615- _____

COLOUR CABINETS MELAMINE	
Code	Qty
 42"H 1 DOOR	W1242- _____ W1542- _____ W1842- _____ W2442- _____ W3042- _____ W3642- _____
 42"H 2 DOOR	CW2142- _____ CW2442- _____ CW214215- _____ CW244215- _____

ORDER FORM STANDARD PROGRAM

Date _____ Tag: _____
 Store/Dealer _____ Shipping Info _____
 Contact Person _____
 P.O.: _____ Door Style _____

ACCESSORIES	Code	Qty	ACCESSORIES	Code	Qty	
 BASE DIAGONAL END WALL DIAGONAL END	BDE-__	_____	OTHER 30"H PENNINSULA ISLAND BACK PIB-__ _____ 42"H PENNINSULA ISLAND BACK PIB42-__ _____ COUNTERTOP BRACKET CTB-__ _____ INSTALLATION SCREW KIT INS _____ SINK BRACKET KIT SKB _____ 18"W PULL OUT DRAWER POD18 _____ 24"W PULL OUT DRAWER POD24 _____ 30"W PULL OUT DRAWER POD30 _____ 25' EDGE TAPE ROLL ET-__ _____ TOUCH UP KIT (CP, WC, S, HN) TUKIT__ _____			
	WDE30-__	_____				
	WDE36-__	_____				
	WDE42-__	_____				
 BASE WINE RACK	BWR-__	_____		REV-A-SHELF 15"W CUTLERY TRAY CT15RAS _____ 18"W CUTLERY TRAY CT18RAS _____ 24"W CUTLERY TRAY CT24RAS _____ 15"W WOOD CUTLERY TRAY CTWOOD15RAS _____ 21"W WOOD CUTLERY TRAY CTWOOD21RAS _____ 15"W UTENSIL TRAY UT15RAS _____ 18"W UTENSIL TRAY UT18RAS _____ 24"W UTENSIL TRAY UT24RAS _____ 15 5/8"W SPICE TRAY SP15RAS _____ SINK TIP OUT TRAY SUTRAS _____ TOWEL HOLDER WHITE TH3WRAS _____ TOWEL HOLDER CHROME TH3CRAS _____ LAZY SUSAN FOR 33CB LS33RAS _____ LAZY SUSAN FOR 36CB LS36RAS _____ 12" TRAY DIVIDER WHITE TD12WRAS _____ 18" TRAY DIVIDER WHITE TD18WRAS _____ 12" TRAY DIVIDER CHROME TD12CRAS _____ 18" TRAY DIVIDER CHROME TD18CRAS _____		
 WINE RACK	WR-__	_____				
	 APPLIANCE GARAGE	AG-__			_____	
CG-__		_____				
 PENCIL DRAWER	PD30__	_____				
 PLATE RACK	PR3030-__	_____				
 STEMWARE HOLDER	WGH-__	_____				
 WALL UTILITY CABINET	W5424-R	_____				
	W5424-H	_____				

ORDER FORM

Date _____ Tag: _____
 Store/Dealer _____ Shipping Info _____
 Contact Person _____
 P.O.: _____ Door Style _____

CABINET PARTS	Code	Qty
GABLES		
for Veneer parts, see page 8.20		
DESK END	DG-__	_____
DISHWASHER END	DW35-__	_____
84"H X 12"D FRIDGE END	FR8412-__	_____
84"H X 24"D FRIDGE END	FR8424-__	_____
90"H X 12"D FRIDGE END	FR9012-__	_____
90"H X 24"D FRIDGE END	FR9024-__	_____
95"H X 12"D FRIDGE END	FR9512-__	_____
95"H X 24"D FRIDGE END	FR9524-__	_____
30"H DIAGONAL END GABLE	DC30-__	_____
36"H DIAGONAL END GABLE	DC36-__	_____
42"H DIAGONAL END GABLE	DC42-__	_____
MOLDINGS/FILLER STRIPS/TOE KICKS		
for Veneer parts, see page 8.20		
108"L CROWN MOLDING	CM-__	_____
108"L SHAKER MOLDING	CMS-__	_____
96"L BULL NOSE CROWN MOLDING	CMB-__	_____
108"L COLONIAL CROWN MOLDING	CMC-__	_____
96"L DENTIL MOLDING	DM-__	_____
96"L ROPE MOLDING	RM-__	_____
42"L INSIDE MOLDING	IM-__	_____
42"L OUTSIDE MOLDING	OM-__	_____
42"L BATTEN MOLDING	BM-__	_____
42"L ANGLE MOLDING	AM-__	_____
96"L SCRIBE MOLDING	SM-__	_____
42"L FLUTED FILLER	FF-__	_____
96"L FLUTED FILLER	FF96-__	_____
ROSETTES 2/PK	RS-__	_____
48"L STRAIGHT VALANCE	V48-__	_____
108"L PROFILED LIGHT VALANCE	PV-__	_____
30 5/8"L FILLER STRIP	FS330-__	_____
41 1/2"L FILLER STRIP	FS342-__	_____
90 7/8"L FILLER STRIP	FS391-__	_____
96"L TOE KICK	TK96-__	_____
48"L TOE KICK	TK48-__	_____

HARDWARE	Code	Qty
KNOBS & PULLS		
1 1/4 ROUND KNOB CHROME	KNBC	_____
1 1/4 ROUND KNOB BRUSHED CHROME	KNBBC	_____
1 1/4 ROUND KNOB BLACK	KNBBLK	_____
1 1/4 ROUND KNOB MATTE NICKEL	KNBMN	_____
1 1/4 ROUND KNOB BLACK NICKEL	KNBBN	_____
1 1/4 MUSHROOM KNOB BRSH CHROME	KNBBC	_____
1 1/4 MUSHROOM WEATHER SILVER	KNBWS	_____
1 1/4 MUSHROOM WEATHER BLACK	KNBWB	_____
3 3/4 D PULL POLISHED CHROME	PULD375C	_____
3 3/4 D PULL BRUSHED CHROME	PULD375BC	_____
3 3/4 D PULL MATTE NICKEL	PULD375MN	_____
3 3/4 BOW PULL POLISHED BRASS	PULB375B	_____
3 3/4 BOW PULL POLISHED CHROME	PULB375C	_____
3 3/4 BOW PULL MATTE NICKEL	PULB375MN	_____
3 3/4 BOW PULL MATTE BLACK	PULB375MB	_____
3 3/4 BOW PULL WEATHER SILVER	PULB375WS	_____
3 3/4 BOW PULL CHROME	PULB375C	_____
5 BOW PULL BRUSHED NICKEL	PULB5BNI	_____
5 BOW PULL WEATHER SILVER	PULFB5WS	_____
5 BOW PULL WEATHER BLACK	PULFB5WB	_____
5 STRING PULL BRUSHED NICKEL	PULST5BNI	_____
5 FLAT BAR PULL BRUSHED NICKEL	PULBARFL5I	_____
3 3/4 OPEN ARCH PULL POLISHED BRASS	PULOPAR375B	_____
3 3/4 ROUND BAR PULL POLISHED SILVER	PULBAR375S	_____
5 ROUND BAR PULL POLISHED SILVER	PULBAR5SS	_____
METABOX		
85 X 400 METABOX STD SLIDE PACK	SLDMETA400S	_____
85 X 500 METABOX STD SLIDE PACK	SLDMETA500S	_____
149 X 400 METABOX STD SLIDE PACK	SLDMETA400H	_____
149 X 500 METABOX STD SLIDE PACK	SLDMETA500H	_____
53 X 500 INTEG NRW SLIDE PACK	SLDI500N	_____
INTEG PRESS BRACKET NRW LH	BRKTINLH	_____
INTEG PRESS BRACKET NRW RH	BRKTINRH	_____
META BRACKET RTA LH	BRKTMETARTALH	_____
META BRACKET RTA RH	BRKTMETARTARH	_____
HINGES & MOUNTING PLATES		
110 DEG CLIP ON HINGE + PLATES (2/pk)	HINF110C-2	_____
45 DEG CLIP ON HINGE + PLATES (2/pk)	HINF45C-2	_____
90 DEG FLIP ON HINGE + PLATES (2/pk)	HINF90C-2	_____
CLIP ON PLATE FERRARI + PLATES (2/pk)	PLTFC-2	_____
165 DEG CORNER HINGE + PLATES (2/pk)	HINS165S-2	_____
PIE CORNER HINGE + PLATES (2/pk)	HINSPIES-2	_____
STD MOUNTING PLATE SALICE 2/PK	PLTSS-2	_____



ORDER FORM

Date _____
 Store/Dealer _____
 Contact Person _____
 P.O.: _____

Tag: _____
 Shipping Info _____

 Door Style _____

CABINET PARTS	Code	Qty
SHELF PACKS (STANDARD)		
9"W WALL SHELF PACK 2/PK	SHPKW-9	_____
12"W WALL SHELF PACK 2/PK	SHPKW-12	_____
15"W WALL SHELF PACK 2/PK	SHPKW-15	_____
18"W WALL SHELF PACK 2/PK	SHPKW-18	_____
21"W WALL SHELF PACK 2/PK	SHPKW-21	_____
24"W WALL SHELF PACK 2/PK	SHPKW-24	_____
27"W WALL SHELF PACK 2/PK	SHPKW-27	_____
30"W WALL SHELF PACK 2/PK	SHPKW-30	_____
33"W WALL SHELF PACK 2/PK	SHPKW-33	_____
36"W WALL SHELF PACK 2/PK	SHPKW-36	_____
9"W BASE SHELF PACK 1/PK	SHPKB-9	_____
12"W BASE SHELF PACK 1/PK	SHPKB-12	_____
15"W BASE SHELF PACK 1/PK	SHPKB-15	_____
18"W BASE SHELF PACK 1/PK	SHPKB-18	_____
21"W BASE SHELF PACK 1/PK	SHPKB-21	_____
24"W BASE SHELF PACK 1/PK	SHPKB-24	_____
27"W BASE SHELF PACK 1/PK	SHPKB-27	_____
30"W BASE SHELF PACK 1/PK	SHPKB-30	_____
33"W BASE SHELF PACK 1/PK	SHPKB-33	_____
36"W BASE SHELF PACK 1/PK	SHPKB-36	_____

CABINET PARTS	Code	Qty
TANDEMBOX REPLACEMENT HARDWARE (SOFT CLOSE)		
BLUMOTION SLIDE 500MM LEFT	TBSLD500BLH	_____
BLUMOTION SLIDE 500MM RIGHT	TBSLD500BRH	_____
PROFILE SIDE "M" WH 500MM LEFT	TBPSIDE500WHLH	_____
PROFILE SIDE "M" WH 500MM RIGHT	TBPSIDE500WHRH	_____
SIDE COVER CAP WH LEFT	TBCOVCAPWHLH	_____
SIDE COVER CAP WH RIGHT	TBCOVCAPWHRH	_____
REAR FIXING BRACKET "M" WH LEFT	TBRBRKTMWHLH	_____
REAR FIXING BRACKET "M" WH RIGHT	TBRBRKTMWHRH	_____
REAR FIXING BRACKET "B" WH LEFT	TRBRBRKTBWHLH	_____
REAR FIXING BRACKET "B" WH RIGHT	TBRBRKTBWHRH	_____
FRONT FIX BRKT W/ INSERTA DOWELS	TBFBRKT	_____
GALLERY RAILS 500MM WH	TBGALRAIL500WH	_____

ORDER FORM

Date _____ Tag: _____
 Store/Dealer _____ Shipping Info _____
 Contact Person _____
 P.O.: _____ Door Style _____

ACCESSORIES	Code	Qty
HARDWARE		
DOWEL METAL (50/pk)	F1-50	_____
DOWEL METAL DBL END (50/pk)	F13-50	_____
DOWEL WOODEN (100/pk)	F3-100	_____
DOWEL WOODEN PREGLOUE (50/pk)	F55-50	_____
DOWEL HINGE INSTALL (10/pk)	F61-10	_____
CAM METAL (50/pk)	F2-50	_____
SCREW CONFIRMAT 38mm (100/pk)	F5-50	_____
SCREW EURO 6.3x10 (100/pk)	F6-100	_____
SCREW EURO 6.3x13 (100/pk)	F10-100	_____
SCREW 8x1-1/8 FLAT HEAD (100/pk)	F7-100	_____
SCREW 8x1-1/4 FLAT HEAD (100/pk)	F8-100	_____
SCREW 8x3/4 FLAT HEAD (50/pk)	F31-50	_____
SCREW 6x5/8 FLAT HEAD (50/pk)	F19-50	_____
SCREW 1 1/4 ROUND HEAD (20/pk)	F28-20	_____
SCREW 2 1/2 INSTALL (50/pk)	F36-50	_____
SCREW BREAKAWAY (10/pk)	F63-10	_____
SCREW MULTI-HEAD 10mm (10/pk)	F67-10	_____
SCREW 7.5x10 EURO GOLD (10/pk)	F50-10	_____
WASHER #8 CUP (100/pk)	F9-100	_____
NAIL FINISHING (100/pk)	F12-100	_____
NAIL 1" COMMON (100/pk)	F14-100	_____
CONNECTOR BOLT MALE (20/pk)	F25-20	_____
CONNECTOR BOLT FEMALE (20/pk)	F26-20	_____
BRACKET 1" CORNER (10/pk)	F20-10	_____
BRACKET 45° CORNER (10/pk)	F21-10	_____
BRACKET SINK (10/pk)	F22-10	_____
BLUM FITTING WHITE (10/pk)	F17-10	_____
BLUM FITTING NYLON (10/pk)	F18-10	_____
SPACER NYLON 19mm (10/pk)	F11-10	_____
SHELF CLIP CLEAR 5mm (50/pk)	F4-50	_____
SHELF CLIP WINE RACK (20/pk)	F23-20	_____
SHELF SECURE CLIP (50/pk)	F56-50	_____
BUMPER CLEAR 5/16 (50/pk)	F15-50	_____
BUMPER CLEAR 1/2 (50/pk)	F16-50	_____
CAM COVER CAP WHITE (100/pk)	F39-100	_____
SCREW COVER SNAPON (50/pk)	F37-50	_____
SCREW COVER PUSHIN (50/pk)	F38-50	_____
SCREW COVER CONFIRMAT (20/pk)	F44-20	_____
PULL D WHITE PLASTIC (10/pk)	F27-10	_____
DIVIDER 1/8 PLASTIC (20/pk)	F24-20	_____
LARGE PARTS BOX	LPARTS	_____
SMALL PARTS BOX	SPARTS	_____

POINT OF SALE MERCHANDISE	Code	Qty
SAMPLE DOORS		
SAMPLE DOOR-GABRIOLA	SD-H	_____
SAMPLE DOOR-SAN JUAN	SD-R	_____
SAMPLE DOOR-SALTSPRING	SD-FO	_____
SAMPLE DOOR-BOWEN	SD-RO	_____
SAMPLE DOOR-RAINIER	SD-RM	_____
SAMPLE DOOR-CASCADE	SD-RA	_____
SAMPLE DOOR-MONT ACADIA BEECH	SD-AB	_____
SAMPLE DOOR-MONT FUSION MAPLE	SD-FM	_____
SAMPLE DOOR-MONT OXFORD WHITE	SD-OW	_____
SAMPLE DOOR-MONT PEARWOOD	SD-PW	_____
SAMPLE DOOR-MONT CHOCOLATE PEAR	SD-CP	_____
SAMPLE DOOR-CYPRUS ALDER	SD-SA	_____
SAMPLE DOOR-CYPRUS MAPLE	SD-SM	_____
SAMPLE DOOR-CYPRUS CHOC PEAR	SD-SCPS	_____
SAMPLE DOOR-CYPRUS WILD CHERRY	SD-SWCS	_____
SAMPLE DOOR-CYPRUS SPICE	SD-SSS	_____
SAMPLE DOOR-CYPRUS HAZELNUT	SD-SNHS	_____
SAMPLE DOOR-CAPILANO ANTIQUE WHITE	SD-RAW	_____
SAMPLE DOOR-SEYMOUR ANTIQUE WHITE	SD-FAW	_____
SAMPLE DOOR-SANTOS ANTIQUE WHITE	SD-VAW	_____
SAMPLE DOOR-LANGDALE CHOC PEAR	SD-RCPS	_____
SAMPLE DOOR-LANGDALE WILD CHERRY	SD-RWCS	_____
SAMPLE DOOR-LANGDALE SPICE	SD-RSS	_____
SAMPLE DOOR-LANGDALE HAZELNUT	SD-RHNS	_____
SAMPLE DOOR-SOLAIRE WHITE	SD-FPW	_____
SAMPLE DOOR-SOLAIRE CHOC PEAR	SD-FPCP	_____
SAMPLE DOOR-SOLAIRE WILD CHERRY	SD-FPWC	_____
SAMPLE DOOR-SOLAIRE ANTIQUE WHITE	SD-FPAW	_____
SAMPLE DOOR-SANTOS WHITE	SD-VW	_____
SAMPLE DOOR-CLOSET CHOC PEAR	SD-CCP	_____
SAMPLE DOOR-CLOSET ANTIQUE WHITE	SD-CAW	_____
POS MATERIAL/LITERATURE		
INSTORE SALES CATALOGUE (EACH)	POSCAT	_____
TEAR OFF PAD KITCHEN (50/PAD)	POSTOKIT	_____
TEAR OFF PAD BATHROOM (50/PAD)	POSTOBATH	_____
TEAR OFF PAD CLOSET (50/PAD)	POSTOCLOSET	_____
DESIGN GUIDE (100/PKG)	POSDG	_____
DESIGN GUIDE CLOSETS (100/PKG)	POSCLTF	_____
DOOR MERCHANDISER WALL UNIT	DMW24-RTA	_____
DOOR MERCHANDISER FULL UNIT	DMWB-RTA	_____
MERCHANDISER TAB SET- NATURAL WOOD	POSTABWDNAT	_____
MERCHANDISER TAB SET- STAINED WOOD	POSTABWDSTN	_____
MERCHANDISER TAB SET- LAMINATE	POSTABLAM	_____
MERCHANDISER TAB SET- THERMOFOIL	POSTABTF	_____
DOOR MERCHANDISER SIGN	POSSIGN530	_____



ORDER FORM REPLACEMENT DOORS & DRAWER FACE

Date _____ Tag: _____
 Store/Dealer _____ Shipping Info _____
 Contact Person _____
 P.O.: _____ Door Style _____

Width	Height	Item Description	Code	Qty
11-7/8	49	301.8 X 1245 2PNL DOOR	DR120490	___
17-7/8	49	454.2 X 1245 2PNL DOOR	DR180490	___
42" HIGH				
8-7/8	42	225.6 X 1053 DOOR	DR090420	___
11-7/8	42	301.8 X 1053 DOOR	DR120420	___
	12	308 X 1053 DOOR	DR121420	___
13-3/8	42	339.9 X 1053 DOOR	DR135420	___
14-7/8	42	378 X 1053 DOOR	DR150420	___
16-3/8	42	416.1 X 1053 DOOR	DR165420	___
17-7/8	42	454.2 X 1053 DOOR	DR180420	___
20-7/8	42	530.4 X 1053 DOOR	DR210420	___
36" HIGH				
8-7/8	35-1/2	225.6 X 893 DOOR	DR090360	___
11-7/8	35-1/2	301.8 X 893 DOOR	DR120360	___
	12	308 X 893 DOOR	DR121360	___
13-3/8	35-1/2	339.9 X 893 DOOR	DR135360	___
14-7/8	35-1/2	378 X 893 DOOR	DR150360	___
16-3/8	35-1/2	416.1 X 893 DOOR	DR165360	___
17-7/8	35-1/2	454.2 X 893 DOOR	DR180360	___
20-7/8	35-1/2	530.4 X 893 DOOR	DR210360	___
30" HIGH				
6	30-1/8	149.2 X 765 DOOR	DR060300	___
8-1/2	30-1/8	216.8 X 765 DOOR	DR085300	___
8-7/8	30-1/8	225.6 X 765 DOOR	DR090300	___
11-7/8	30-1/8	293 X 765 DOOR	DR115300	___
11-7/8	30-1/8	301.8 X 765 DOOR	DR120300	___
	12	308 X 765 DOOR	DR121300	___
12-3/8	30-1/8	315 X 765 DOOR	DR125300	___
13-3/8	30-1/8	339.9 X 765 DOOR	DR135300	___
14-4/8	30-1/8	369.2 X 765 DOOR	DR145300	___
14-7/8	30-1/8	378 X 765 DOOR	DR150300	___
16-3/8	30-1/8	416.1 X 765 DOOR	DR165300	___
17-7/8	30-1/8	454.2 X 765 DOOR	DR180300	___
20-7/8	30-1/8	530.4 X 765 DOOR	DR210300	___
14-7/8	28-7/8	378 X 733 DOOR	DR150290	___
16-3/8	28-7/8	416.1 X 733 DOOR	DR165290	___
14-7/8	26-3/8	378 X 669 DOOR	DR150260	___
24" HIGH				
12-3/8	23-7/8	301.8 X 605 DOOR	DR120240	___
13-3/8	23-7/8	339.9 X 605 DOOR	DR135240	___
14-7/8	23-7/8	378 X 605 DOOR	DR150240	___
16-3/8	23-7/8	416.1 X 605 DOOR	DR165240	___
17-7/8	23-7/8	454.2 X 605 DOOR	DR180240	___
20-7/8	23-7/8	530.4 X 605 DOOR	DR210240	___
9-7/8	22-1/2	252 X 573 DOOR	DR100220	___
16-3/8	22-1/2	416.1 X 573 DOOR	DR165225	___

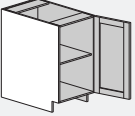
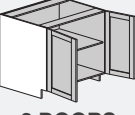
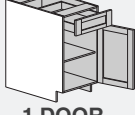
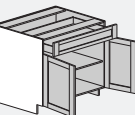
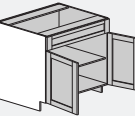
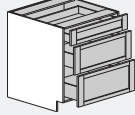
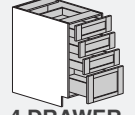

Width	Height	Item Description	Code	Qty
24" HIGH (cont')				
11-7/8	21-1/4	301.8 X 541 DOOR	DR120210	___
14-7/8	21-1/4	378 X 541 DOOR	DR150210	___
17-7/8	21-1/4	454.2 X 541 DOOR	DR180210	___
18" HIGH				
11-7/8	17-1/2	301.8 X 445 DOOR	DR120180	___
14-7/8	17-1/2	378 X 445 DOOR	DR150180	___
16-7/8	17-1/2	416.1 X 445 DOOR	DR165180	___
17-7/8	17-1/2	454.2 X 445 DOOR	DR180180	___
15" HIGH				
11-7/8	15	301.8 X 381 DOOR	DR120150	___
14-7/8	15	378 X 381 DOOR	DR150150	___
16-3/8	15	416.1 X 381 DOOR	DR165150	___
17-7/8	15	454.2 X 381 DOOR	DR180150	___
12" HIGH				
16-3/8	12-7/8	416.1 X 317 DOOR	DR165125	___
11-7/8	11-1/4	301.8 X 285 DOOR	DR120120	___
14-7/8	11-1/4	378 X 285 DOOR	DR150120	___
16-3/8	11-1/4	416.1 X 285 DOOR	DR165120	___
17-7/8	11-1/4	454.2 X 285 DOOR	DR180120	___
DRAWER FACES				
(ADD "SC" IF ORDERING RELACEMENT SOFT CLOSE DRAWER FACE)				
29-7/8	4-7/8	759 X 125 DRAWER FACE	DF300050	___ * ___
11-7/8	6-1/8	301.8 X 157 DRAWER FACE	DF120060	___ * ___
14-7/8	6-1/8	378 X 157 DRAWER FACE	DF150060	___ * ___
17-7/8	6-1/8	454.2 X 157 DRAWER FACE	DF180060	___ * ___
20-7/8	6-1/8	530 X 157 DRAWER FACE	DF210060	___ * ___
23-7/8	6-1/8	607 X 157 DRAWER FACE	DF240060	___ * ___
26-7/8	6-1/8	683 X 157 DRAWER FACE	DF270060	___ * ___
29-7/8	6-1/8	759 X 157 DRAWER FACE	DF300060	___ * ___
32-7/8	6-1/8	835 X 157 DRAWER FACE	DF330060	___ * ___
35-7/8	6-1/8	911 X 157 DRAWER FACE	DF360060	___ * ___
47-7/8	6-1/8	1216 X 157 DRAWER FACE	DF480060	___ * ___
11-7/8	10	302 X 253 DRAWER FACE	DF120100	___ * ___
14-7/8	10	378 X 253 DRAWER FACE	DF150100	___ * ___
17-7/8	10	454.2 X 253 DRAWER FACE	DF180100	___ * ___
11-7/8	11-1/4	301.8 X 285 DRAWER FACE	DF120110	___ * ___
14-7/8	11-1/4	378 X 285 DRAWER FACE	DF150110	___ * ___
17-7/8	11-1/4	454.2 X 285 DRAWER FACE	DF180110	___ * ___
20-7/8	11-1/4	607 X 285 DRAWER FACE	DF240110	___ * ___
23-7/8	11-1/4	759 X 285 DRAWER FACE	DF300110	___ * ___
11-7/8	12-1/2	378 X 317 DRAWER FACE	DF150120	___ * ___
14-7/8	12-1/2	607 X 317 DRAWER FACE	DF240120	___ * ___
17-7/8	12-1/2	759 X 317 DRAWER FACE	DF300120	___ * ___

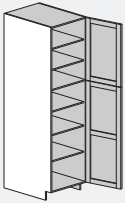
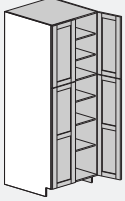
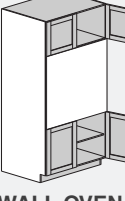
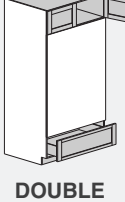
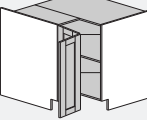
Bold items: Door Pack Item available

ORDER FORM VENEER PROGRAM

Date _____
 Store/Dealer _____
 Contact Person _____
 P.O.: _____

Tag: _____
 Shipping Info _____
 Door Style _____

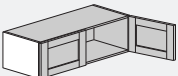
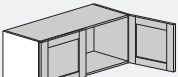
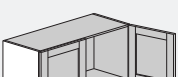
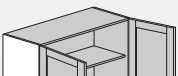
BASE CABINETS	Cross Members	Qty	Gable Pack	Qty	Door Pack	Qty
 1 DOOR	B09	___	BGV-___	___	D0930	___
	B12	___	BGV-___	___	D1230	___
	B15	___	BGV-___	___	D1530	___
	B18	___	BGV-___	___	D1830	___
	B21	___	BGV-___	___	D2130	___
 2 DOORS	B24	___	BGV-___	___	D2430	___
	B27	___	BGV-___	___	D2730	___
	B30	___	BGV-___	___	D3030	___
	B33	___	BGV-___	___	D3330	___
	B36	___	BGV-___	___	D3630	___
 1 DOOR 1 DRAWER	BD12	___	BGV-___	___	D12D	___
	BD15	___	BGV-___	___	D15D	___
	BD18	___	BGV-___	___	D18D	___
	BD21	___	BGV-___	___	D21D	___
	* to order Soft Close see pg 8.21					
 2 DOORS 1 DRAWER	BD24	___	BGV-___	___	D24D	___
	BD27	___	BGV-___	___	D27D	___
	BD30	___	BGV-___	___	D30D	___
	BD33	___	BGV-___	___	D33D	___
	BD36	___	BGV-___	___	D36D	___
* to order Soft Close see pg 8.21						
 2 DOORS SINK FACE	B30	___	BGV-___	___	D30D	___
	B33	___	BGV-___	___	D33D	___
	B36	___	BGV-___	___	D36D	___
 3 DRAWER POTS & PANS BANK	PB24	___	BGV-___	___	D24PB	___
	PB30	___	BGV-___	___	D30PB	___
* to order Soft Close see pg 8.21						
 4 DRAWER BANK	DB12	___	BGV-___	___	D12DB	___
	DB15	___	BGV-___	___	D15DB	___
	DB18	___	BGV-___	___	D18DB	___
* to order Soft Close see pg 8.21						
 DESK DRAWER BANK	DDB15	___	DDGV-___	___	D15DDB	___

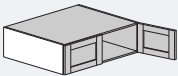
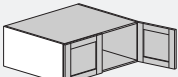
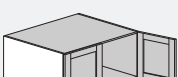
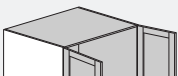
TALL CABINETS	Cross Members	Qty	Gable Pack	Qty	Door Pack	Qty
 18"W PANTRY	84"H, 90"H					
	P1824	___	PGV84-___	___	D1884P	___
	P1824	___	PGV90-___	___	D1890P	___
	95"H (REQUIRES EXTENSION KITS)					
	P1824	___	PGV84-___	___	D1895P	___
	PE1824	___			<- (EXTENSION KIT)	
	WG1224-___				<- (EXTENSION KIT)	
 24"W PANTRY	84" & 90" TALL					
	P2424	___	PGV84-___	___	D2484P	___
	P2424	___	PGV90-___	___	D2490P	___
	95"H (REQUIRES EXTENSION KITS)					
	P2424	___	PGV84-___	___	D2495P	___
	PE2424	___			<- (EXTENSION KIT)	
	WGV1224-___				<- (EXTENSION KIT)	
 WALL OVEN	84" & 90" TALL					
	WO33	___	OGV84-___	___	D3384WO	___
	WO33	___	OGV90-___	___	D3390WO	___
	95"H (REQUIRES EXTENSION KITS)					
	WO33	___	OGV84-___	___	D3395WO	___
	AW3324	___			<- (EXTENSION KIT)	
	WGV1224-___				<- (EXTENSION KIT)	
 DOUBLE APPLIANCE WALL	84" & 90" TALL					
	MWO33	___	OGV84-___	___	D3384MWO	___
	MWO33	___	OGV90-___	___	D3390MWO	___
	95"H (REQUIRES EXTENSION KITS)					
	MWO33	___	OGV84-___	___	D3395MWO	___
	AW3324	___			<- (EXTENSION KIT)	
	WGV1224-___				<- (EXTENSION KIT)	
* to order Soft Close see pg 8.21						
 STANDARD CORNER	CORNER BASE CABINETS					
	Cross Members	Qty	Gable Pack	Qty	Door Pack	Qty
	CCB3333	___	BCGV-___	___	D3333C	___
	CCB3636	___	BCGV-___	___	D3636C	___
* For Non-Standard Corners, see page 8.17						

ORDER FORM *VENEER PROGRAM*

Date _____
 Store/Dealer _____
 Contact Person _____
 P.O.: _____

Tag: _____
 Shipping Info _____
 Door Style _____

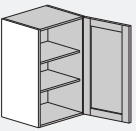
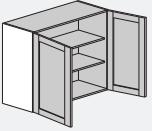
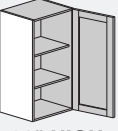

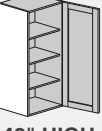
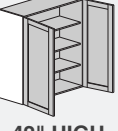
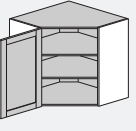
STANDARD APPLIANCE	Cross Members	Qty	Gable Pack	Qty	Door Pack	Qty
	AW30	___	WGV12-	___	D3012	___
	AW33	___	WGV12-	___	D3312	___
	AW36	___	WGV12-	___	D3612	___
12" H						
	AW24	___	WGV15-	___	D2415	___
	AW30	___	WGV15-	___	D3015	___
	AW33	___	WGV15-	___	D3315	___
	AW36	___	WGV15-	___	D3615	___
15" H						
	AW24	___	WGV18-	___	D2418	___
	AW30	___	WGV18-	___	D3018	___
	AW33	___	WGV18-	___	D3318	___
	AW36	___	WGV18-	___	D3618	___
18" H						
	W24	___	WGV24-	___	D2424	___
	W30	___	WGV24-	___	D3024	___
	W33	___	WGV24-	___	D3324	___
	W36	___	WGV24-	___	D3624	___
24" H						

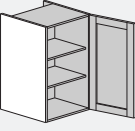
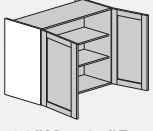
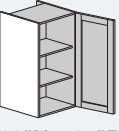
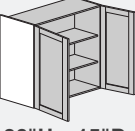
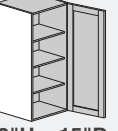
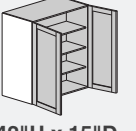
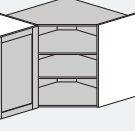
DEEP APPLIANCE	Cross Members	Qty	Gable Pack	Qty	Door Pack	Qty
	AW3024	___	WGV1224-	___	D3012	___
	AW3324	___	WGV1224-	___	D3312	___
	AW3624	___	WGV1224-	___	D3612	___
12"H x 24"D						
	AW3024	___	WGV1524-	___	D3015	___
	AW3324	___	WGV1524-	___	D3315	___
	AW3624	___	WGV1524-	___	D3615	___
15"H x 24"D						
	AW3024	___	WGV1824-	___	D3018	___
	AW3324	___	WGV1824-	___	D3318	___
	AW3624	___	WGV1824-	___	D3618	___
18"H x 24"D						
	AW3024	___	WGV2424-	___	D3024	___
	AW3324	___	WGV2424-	___	D3324	___
	AW3624	___	WGV2424-	___	D3624	___
24"H x 24"D						

ORDER FORM VENEER PROGRAM

Date _____
 Store/Dealer _____
 Contact Person _____
 P.O.: _____

Tag: _____
 Shipping Info _____
 Door Style _____

WALL CABINETS	Cross Members	Qty	Gable Pack	Qty	Door Pack	Qty
 30" HIGH 1 DOOR	W09	___	WGV30-	___	D0930	___
	W12	___	WGV30-	___	D1230	___
	W15	___	WGV30-	___	D1530	___
	W18	___	WGV30-	___	D1830	___
	W21	___	WGV30-	___	D2130	___
 30" HIGH 2 DOORS	W24	___	WGV30-	___	D2430	___
	W27	___	WGV30-	___	D2730	___
	W30	___	WGV30-	___	D3030	___
	W33	___	WGV30-	___	D3330	___
	W36	___	WGV30-	___	D3630	___
 36" HIGH 1 DOOR	W09	___	WGV36-	___	D0936	___
	W12	___	WGV36-	___	D1236	___
	W15	___	WGV36-	___	D1536	___
	W18	___	WGV36-	___	D1836	___
	W21	___	WGV36-	___	D2136	___
 36" HIGH 2 DOORS	W24	___	WGV36-	___	D2436	___
	W27	___	WGV36-	___	D2736	___
	W30	___	WGV36-	___	D3036	___
	W33	___	WGV36-	___	D3336	___
	W36	___	WGV36-	___	D3636	___
 42" HIGH 1 DOOR	WT09	___	WGV42-	___	D0942	___
	WT12	___	WGV42-	___	D1242	___
	WT15	___	WGV42-	___	D1542	___
	WT18	___	WGV42-	___	D1842	___
	WT21	___	WGV42-	___	D2142	___
 42" HIGH 2 DOORS	WT24	___	WGV42-	___	D2442	___
	WT27	___	WGV42-	___	D2742	___
	WT30	___	WGV42-	___	D3042	___
	WT33	___	WGV42-	___	D3342	___
	WT36	___	WGV42-	___	D3642	___
 CORNER WALL 30"H SHOWN HERE	DCW2142	___	WGV42-	___	D2142C	___
	DCW2442	___	WGV42-	___	D2442C	___
	DCW2136	___	WGV36-	___	D2136C	___
	DCW2436	___	WGV36-	___	D2436C	___
	DCW2130	___	WGV30-	___	D2130C	___
	DCW2430	___	WGV30-	___	D2430C	___

WALL CABINETS	Cross Members	Qty	Gable Pack	Qty	Door Pack	Qty
 30"H x 15"D 1 DOOR	W09	___	WGV3015-	___	D0930	___
	W12	___	WGV3015-	___	D1230	___
	W15	___	WGV3015-	___	D1530	___
	W18	___	WGV3015-	___	D1830	___
	W21	___	WGV3015-	___	D2130	___
 30"H x 15"D 2 DOORS	W24	___	WGV3015-	___	D2430	___
	W27	___	WGV3015-	___	D2730	___
	W30	___	WGV3015-	___	D3030	___
	W33	___	WGV3015-	___	D3330	___
	W36	___	WGV3015-	___	D3630	___
 36"H x 15"D 1 DOOR	W09	___	WGV3615-	___	D0936	___
	W12	___	WGV3615-	___	D1236	___
	W15	___	WGV3615-	___	D1536	___
	W18	___	WGV3615-	___	D1836	___
	W21	___	WGV3615-	___	D2136	___
 36"H x 15"D 2 DOORS	W24	___	WGV3615-	___	D2436	___
	W27	___	WGV3615-	___	D2736	___
	W30	___	WGV3615-	___	D3036	___
	W33	___	WGV3615-	___	D3336	___
	W36	___	WGV3615-	___	D3636	___
 42"H x 15"D 1 DOOR	WT09	___	WGV4215-	___	D0942	___
	WT12	___	WGV4215-	___	D1242	___
	WT15	___	WGV4215-	___	D1542	___
	WT18	___	WGV4215-	___	D1842	___
	WT21	___	WGV4215-	___	D2142	___
 42"H x 15"D 2 DOORS	WT24	___	WGV4215-	___	D2442	___
	WT27	___	WGV4215-	___	D2742	___
	WT30	___	WGV4215-	___	D3042	___
	WT33	___	WGV4215-	___	D3342	___
	WT42	___	WGV4215-	___	D3642	___
 CORNER WALL 15"D 30"H SHOWN HERE	DCW2142	___	WGV4215-	___	D2142C	___
	DCW2442	___	WGV4215-	___	D2442C	___
	DCW2136	___	WGV3615-	___	D2136C	___
	DCW2436	___	WGV3615-	___	D2436C	___
	DCW2130	___	WGV3015-	___	D2130C	___
	DCW2430	___	WGV3015-	___	D2430C	___

ORDER FORM VENEER PROGRAM

Date _____

Store/Dealer _____

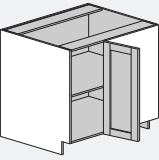
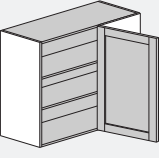
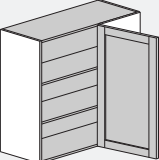
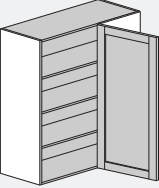
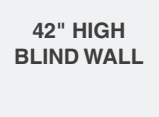
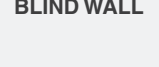

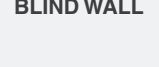
Contact Person _____

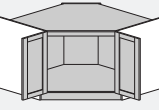
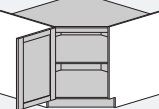
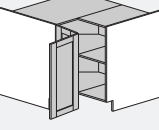
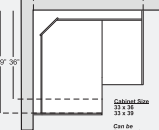
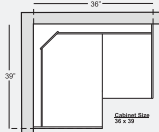
P.O.: _____

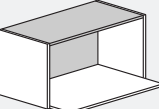
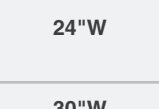
Tag: _____

Shipping Info _____

Door Style _____

CABINETS	Cross Members	Qty	Gable Pack	Qty	Door Pack	Qty
 BLIND BASE	B27	___	BGV-___	___	D0930	___
	PANEL KIT -->		BBPV-___	___		
	B30	___	BGV-___	___	D1230	___
	PANEL KIT -->		BBPV-___	___		
	B33	___	BGV-___	___	D1530	___
 30" HIGH BLIND WALL	B36	___	BGV-___	___	D1830	___
	PANEL KIT -->		BBPV-___	___		
	WT21	___	WGV30-___	___	D0930	___
	PANEL KIT -->		BWPV30-___	___		
	WT24	___	WGV30-___	___	D1230	___
 36" HIGH BLIND WALL	WT27	___	WGV30-___	___	D1530	___
	PANEL KIT -->		BWPV30-___	___		
	WT30	___	WGV30-___	___	D1830	___
	PANEL KIT -->		BWPV30-___	___		
	WT33	___	WGV30-___	___	D2130	___
 42" HIGH BLIND WALL	WT36	___	WGV30-___	___	D2430	___
	PANEL KIT -->		BWPV30-___	___		
	WT21	___	WGV36-___	___	D0936	___
	PANEL KIT -->		BWPV36-___	___		
	WT24	___	WGV36-___	___	D1236	___
 BLIND WALL	WT27	___	WGV36-___	___	D1536	___
	PANEL KIT -->		BWPV36-___	___		
	WT30	___	WGV36-___	___	D1836	___
	PANEL KIT -->		BWPV36-___	___		
	WT33	___	WGV36-___	___	D2136	___
 BLIND WALL	WT36	___	WGV36-___	___	D2436	___
	PANEL KIT -->		BWPV36-___	___		
	WT21	___	WGV42-___	___	D0942	___
	PANEL KIT -->		BWPV42-___	___		
	WT24	___	WGV42-___	___	D1242	___
 BLIND WALL	WT27	___	WGV42-___	___	D1542	___
	PANEL KIT -->		BWPV42-___	___		
	WT30	___	WGV42-___	___	D1842	___
	PANEL KIT -->		BWPV42-___	___		
	WT33	___	WGV42-___	___	D2142	___
 BLIND WALL	WT36	___	WGV42-___	___	D2442	___
	PANEL KIT -->		BWPV42-___	___		




CABINETS	Cross Members	Qty	Gable Pack	Qty	Door Pack	Qty
 CORNER SINK BASE	DSB42	___	BCGV-___	___	D42CS	___
 DIAGONAL CORNER BASE	DCB36	___	BCGV-___	___	D36CD	___
 33x36 (reversible assembly)	CCB3333	___	BCGV-___	___	D3336C	___
	CBE36	___			<- (EXTENSION KIT)	
 33x39 (reversible assembly)	CCB3333	___	BCGV-___	___	D3339C	___
	CBE39	___			<- (EXTENSION KIT)	
 33x36 (reversible assembly)	CCB3639	___	BCGV-___	___	D3639C	___
	CBE36	___			<- (EXTENSION KIT)	

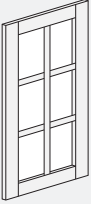
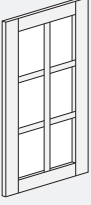
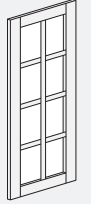
MICROWAVE CABINET	Code	Qty
 24"W	NOTE: Euro-Rite has developed a unique system for any microwave configuration. The MW cabinet itself has an extended bottom shelf and no doors. It houses your microwave and can be paired with any cabinet for maximum flexibility. Our microwave cabinet comes in a single box and is colour matched.	
	MWV2415-___	___
	MWV2418-___	___
 30"W	MWV3015-___	___
	MWV3018-___	___

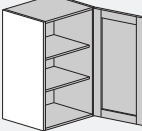
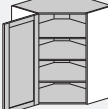
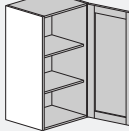
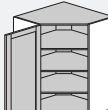
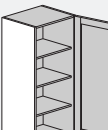
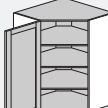
ORDER FORM VENEER PROGRAM

Date _____ Tag: _____
 Store/Dealer _____ Shipping Info _____
 Contact Person _____
 P.O.: _____ Door Style _____

GLASS DOOR OPTIONS

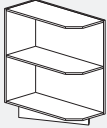
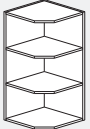
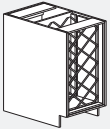
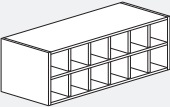

OPEN FRAME	
See pages 2.75-2.77 for door style availability (Does not include glass.)	
Code	Qty
	D1230OF _____ D1530OF _____ D1830OF _____ D2430OF _____ D3030OF _____ D3636OF _____ D2130COF _____ D2430COF _____
30"H OPEN FRAME	
	D1236OF _____ D1536OF _____ D1836OF _____ D2436OF _____ D3036OF _____ D3636OF _____ D2136COF _____ D2436COF _____
36"H OPEN FRAME	
	D1242OF _____ D1542OF _____ D1842OF _____ D2442OF _____ D3042OF _____ D3642OF _____ D2142COF _____ D2442COF _____
42"H OPEN FRAME	

MULLION DOOR	
See pages 2.78-2.80 for door style availability (Does not include glass.)	
Code	Qty
	D1230M _____ D1530M _____ D1830M _____ D2430M _____ D3030M _____ D3630M _____ D2130CM _____ D2430CM _____
30"H MULLION	
	D1236M _____ D1536M _____ D1836M _____ D2436M _____ D3036M _____ D3636M _____ D2136CM _____ D2436CM _____
36"H MULLION	
	D1242M _____ D1542M _____ D1842M _____ D2442M _____ D3042M _____ D3642M _____ D2142CM _____ D2442CM _____
42"H MULLION	

COLOUR CABINETS VENEER	Code	Qty
	WV1230- _____ WV1530- _____ WV1830- _____ WV2430- _____ WV3030- _____ WV3630- _____	
30"H 1 DOOR		
	CWV2130- _____ CWV2430- _____ CWV213015- _____ CWV243015- _____	
30"H 2 DOOR		
	WV1236- _____ WV1536- _____ WV1836- _____ WV2436- _____ WV3036- _____ WV3636- _____	
36"H 1 DOOR		
	CWV2136- _____ CWV2436- _____ CWV213615- _____ CWV243615- _____	
36"H 2 DOOR		
	WV1242- _____ WV1542- _____ WV1842- _____ WV2442- _____ WV3042- _____ WV3642- _____	
42"H 1 DOOR		
	CWV2142- _____ CWV2442- _____ CWV214215- _____ CWV244215- _____	
42"H 2 DOOR		

ORDER FORM VENEER PROGRAM

Date _____ Tag: _____
 Store/Dealer _____ Shipping Info _____
 Contact Person _____
 P.O.: _____ Door Style _____

ACCESSORIES	Code	Qty
 BASE DIAGONAL END	BDEV-__	_____
 WALL DIAGONAL END	WDEV30-__ WDEV36-__ WDEV42-__	_____ _____ _____
 BASE WINE RACK	BWRV-__	_____
 WINE RACK	WRV-__	_____
 PLATE RACK	PRV3030-__	_____

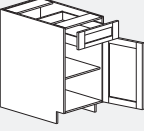
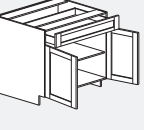
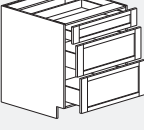
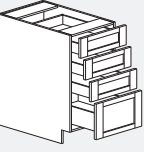
ACCESSORIES	Code	Qty
OTHER		
30"H PENNINSULA ISLAND BACK	PIBV-__	_____
42"H PENNINSULA ISLAND BACK	PIBV42-__	_____
CABINET PARTS		
	Code	Qty
GABLES		
DESK END	DGV-__	_____
DISHWASHER END	DWV35-__	_____
84"H X 12"D FRIDGE END	FRV8412-__	_____
84"H X 24"D FRIDGE END	FRV8424-__	_____
90"H X 12"D FRIDGE END	FRV9012-__	_____
90"H X 24"D FRIDGE END	FRV9024-__	_____
95"H X 12"D FRIDGE END	FRV9512-__	_____
95"H X 24"D FRIDGE END	FRV9524-__	_____
30"H DIAGONAL END GABLE	DCV30-__	_____
36"H DIAGONAL END GABLE	DCV36-__	_____
42"H DIAGONAL END GABLE	DCV42-__	_____
MOLDINGS/FILLER STRIPS		
48"L STRAIGHT VALANCE	VV48-__	_____
30 5/8"L FILLER STRIP	FSV330-__	_____
41 1/2"L FILLER STRIP	FSV342-__	_____
90 7/8"L FILLER STRIP	FSV391-__	_____

ORDER FORM SOFT CLOSE OPTION

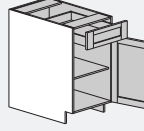
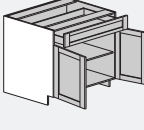
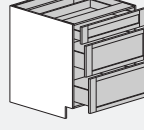
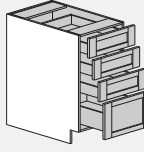
Date _____
 Store/Dealer _____
 Contact Person _____
 P.O.: _____

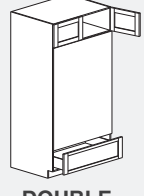
Tag: _____
 Shipping Info _____
 Door Style _____

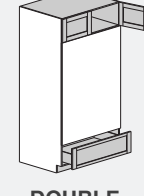
STANDARD

BASE CABINETS	Cross Members	Qty	Gable Pack	Qty	Door Pack	Qty
 1 DOOR 1 DRAWER	BD12SC	___	BG-	___	D12SCD	___
	BD15SC	___	BG-	___	D15SCD	___
	BD18SC	___	BG-	___	D18SCD	___
	BD21SC	___	BG-	___	D21SCD	___
 2 DOORS 1 DRAWER	BD24SC	___	BG-	___	D24SCD	___
	BD27SC	___	BG-	___	D27SCD	___
	BD30SC	___	BG-	___	D30SCD	___
	BD33SC	___	BG-	___	D33SCD	___
	BD36SC	___	BG-	___	D36SCD	___
 3 DRAWER POTS & PANS BANK	PB24SC	___	BG-	___	D24SCP	___
	PB30SC	___	BG-	___	D30SCP	___
 4 DRAWER BANK	DB12SC	___	BG-	___	D12SCDB	___
	DB15SC	___	BG-	___	D15SCDB	___
	DB18SC	___	BG-	___	D18SCDB	___

VENEER

BASE CABINETS	Cross Members	Qty	Gable Pack	Qty	Door Pack	Qty
 1 DOOR 1 DRAWER	BD12SC	___	BGV-	___	D12SCD	___
	BD15SC	___	BGV-	___	D15SCD	___
	BD18SC	___	BGV-	___	D18SCD	___
	BD21SC	___	BGV-	___	D21SCD	___
 2 DOORS 1 DRAWER	BD24SC	___	BGV-	___	D24SCD	___
	BD27SC	___	BGV-	___	D27SCD	___
	BD30SC	___	BGV-	___	D30SCD	___
	BD33SC	___	BGV-	___	D33SCD	___
	BD36SC	___	BGV-	___	D36SCD	___
 3 DRAWER POTS & PANS BANK	PB24SC	___	BGV-	___	D24SCP	___
	PB30SC	___	BGV-	___	D30SCP	___
 4 DRAWER BANK	DB12SC	___	BGV-	___	D12SCDB	___
	DB15SC	___	BGV-	___	D15SCDB	___
	DB18SC	___	BGV-	___	D18SCDB	___

TALL CABINETS	Cross Members	Qty	Gable Pack	Qty	Door Pack	Qty
 DOUBLE APPLIANCE WALL	84" & 90" TALL					
	MWO33SC	___	OG84-	___	D3384SCMWO	___
	MWO33SC	___	OG90-	___	D3390SCMWO	___
	95"H (REQUIRES EXTENSION KITS)					
	MWO33SC	___	OG84-	___	D3395SCMWO	___
	AW3324	___			<- (EXTENSION KIT)	
WG1224-	___			<- (EXTENSION KIT)		

TALL CABINETS	Cross Members	Qty	Gable Pack	Qty	Door Pack	Qty
 DOUBLE APPLIANCE WALL	84" & 90" TALL					
	MWO33SC	___	OGV84-	___	D3384SCMWO	___
	MWO33SC	___	OGV90-	___	D3390SCMWO	___
	95"H (REQUIRES EXTENSION KITS)					
	MWO33SC	___	OGV84-	___	D3395SCMWO	___
	AWV3324	___			<- (EXTENSION KIT)	
WGV1224-	___			<- (EXTENSION KIT)		

ORDER FORM (VANITY PROGRAM)

Date _____

Store/Dealer _____

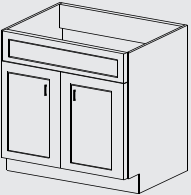
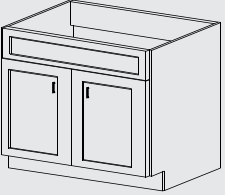
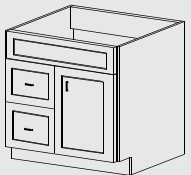
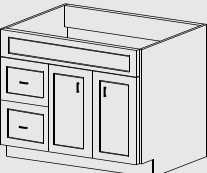
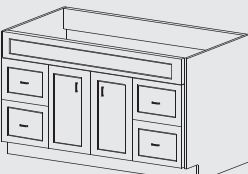
Contact Person _____




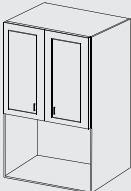
P.O.: _____

Tag: _____

Shipping Info _____

Door Style _____

VANITY CABINET	Code	Qty
 24"W SINK BASE	VS2418-__ VS2421-__	_____ _____
 30"W SINK BASE	VS3018-__ VS3021-__	_____ _____
 30"W DOOR / 2 DRAWER COMBO	VSD3018-2-__ VSD3021-2-__	_____ _____
 36"W DOOR / 2 DRAWER COMBO	VSD3618-2-__ VSD3621-2-__	_____ _____
 48"W DOOR / 4 DRAWER COMBO	VSD4818-4-__ VSD4821-4-__	_____ _____

VANITY CABINET	Code	Qty
 3 DRAWER BANK (21"D only)	VD3-1221-__ VD3-1521-__	_____ _____
 LINEN TOWER W/DOORS ONLY	TL15-__ D1530__ (TOP) _____ D1530__ (BOTTOM) _____	_____ _____ _____
 LINEN TOWER W/DOORS & DRAWERS	TL15-__ D1530__ (TOP) _____ D1530__ (BOTTOM) _____ 15TLD3-__	_____ _____ _____ _____
 OVERJOHN	OJ-__	_____

NOTES ABOUT OUR VANITY PROGRAM:

- Not all vanity sizes are available in every door style. See page 3.5 for availability and price.
- Base vanities and overjohns are packaged in one box.
- Vanities do not come with backboard to allow for plumbing.
- Vanities are supplied with toe kick.
- Vanities do not come with handles (with the exception of Gabriola which is supplied with a plastic D-Pull).
- Cabinet depth does not include doors and drawers.
- 30" & 36" Combo vanities can be assembled with drawers on the left or right.