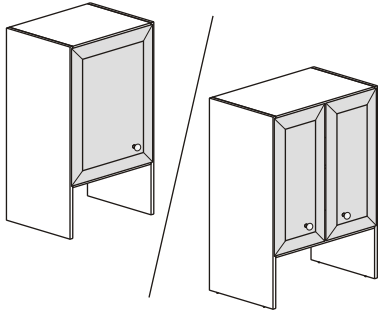




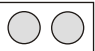
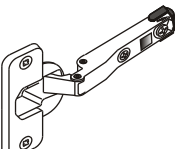
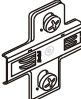
**Closets**  
*Assembly Instructions*

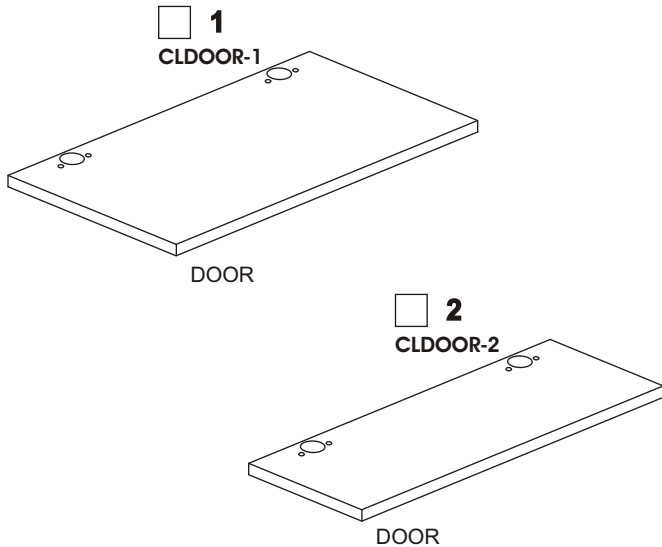


Closet Door

**CLDOOR-1**  
**CLDOOR-2**

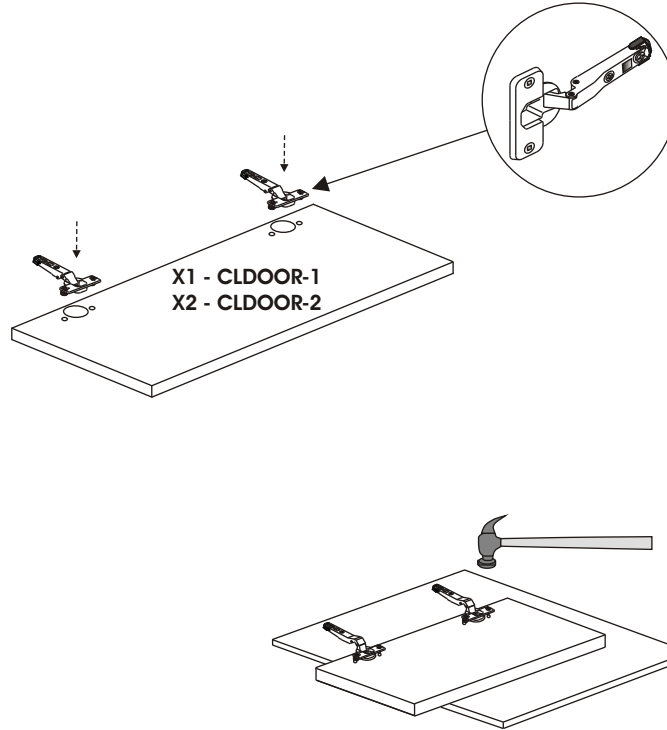


 4040 0010	<input type="checkbox"/> 1 CLDOOR-1	 0540 0085	<input type="checkbox"/> 1 CLDOOR-1	 0550 0025	<input type="checkbox"/> 1 CLDOOR-1
	<input type="checkbox"/> 2 CLDOOR-2		<input type="checkbox"/> 2 CLDOOR-2		<input type="checkbox"/> 2 CLDOOR-2
 0510 0055	<input type="checkbox"/> 2 CLDOOR-1	 0510 0100	<input type="checkbox"/> 2 CLDOOR-1		
	<input type="checkbox"/> 4 CLDOOR-2		<input type="checkbox"/> 4 CLDOOR-2		



**1**

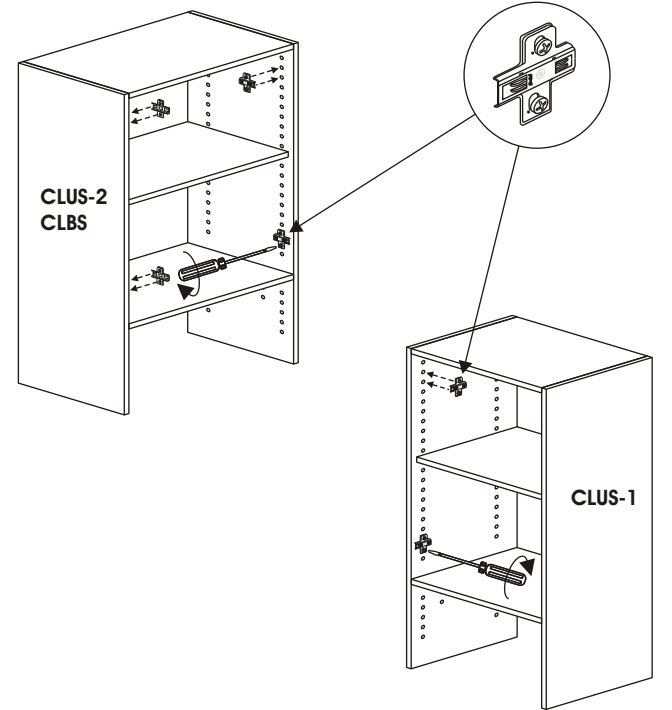
x 2  
CLDOOR-1  
x 4  
CLDOOR-2



X1 - CLDOOR-1  
X2 - CLDOOR-2

**2**

x 2  
CLDOOR-1  
x 4  
CLDOOR-2



**3**

