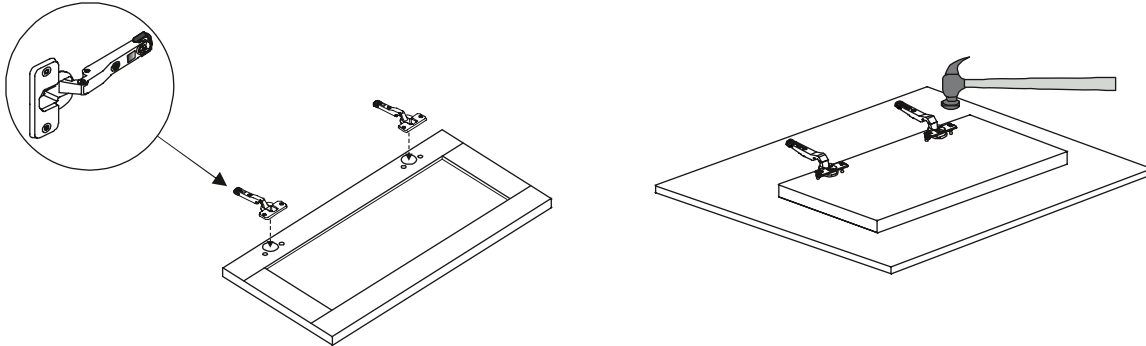


INSTALLATION TIPS

HINGE INSTALLATION & ADJUSTMENT

On a clean surface, install hinges into the door(s) by **gently** hammering the hinge until fully seated. Install the doors by attaching the hinges to the mounting plates on the cabinet and click into place.



Adjust the hinges and move doors to fill any gaps.

