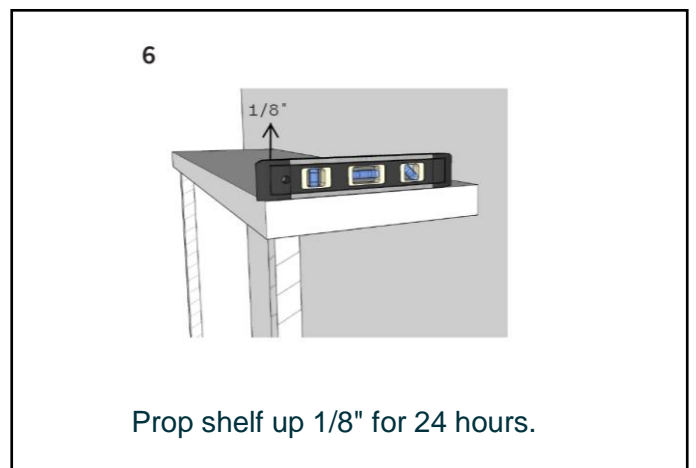
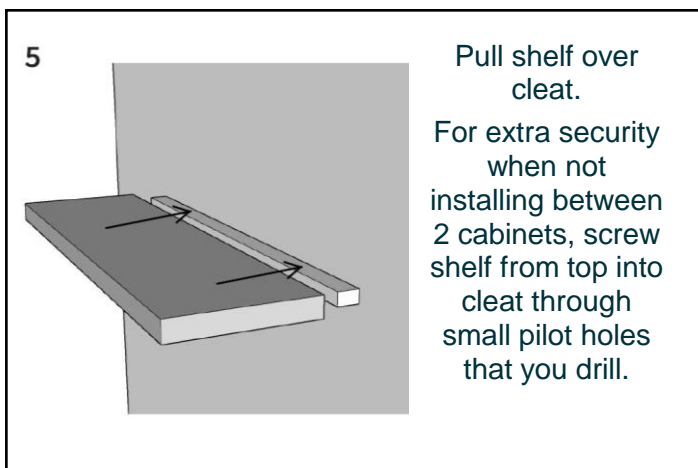
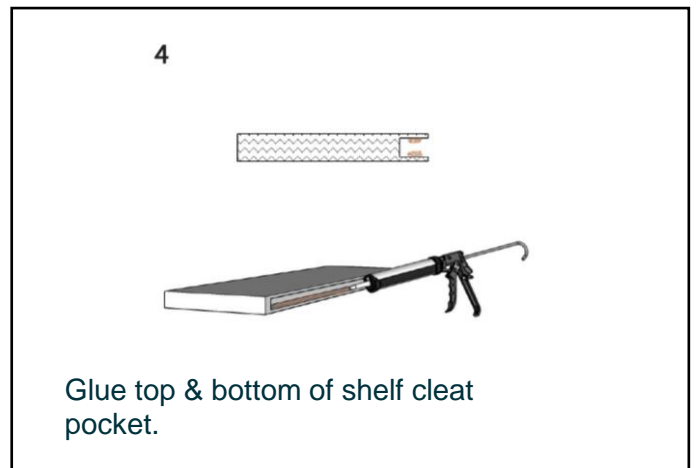
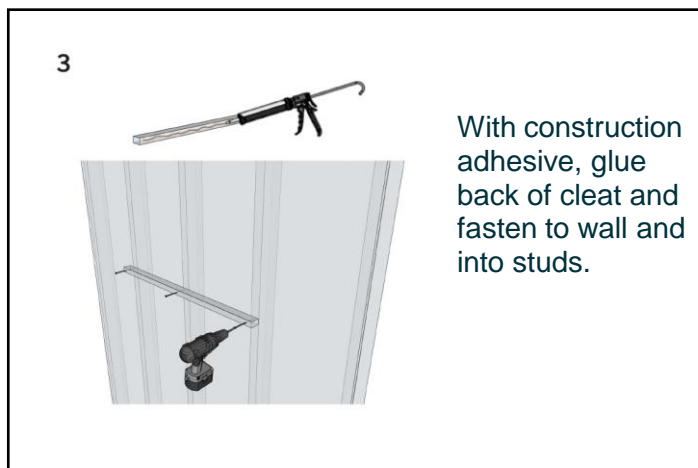
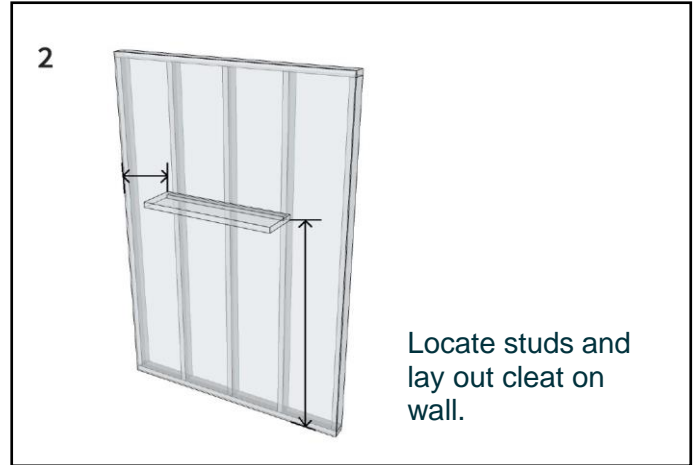
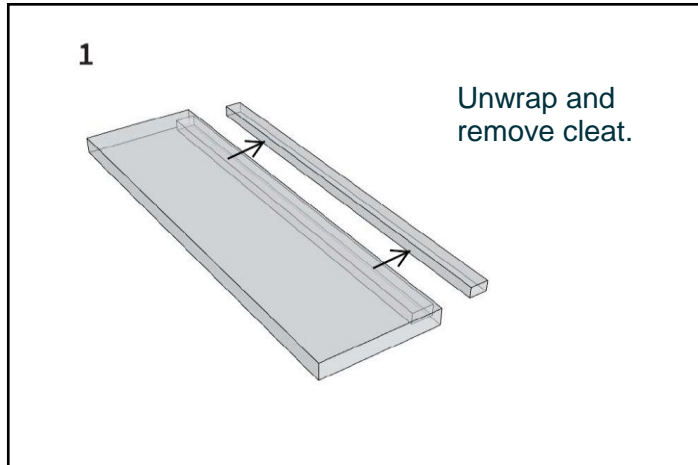


# Floating Shelf Installation Instructions

Aug-22



\* **Important notes:** . Do not exceed weight capacity of 10 lbs. per lineal foot.  
 . For best results with any floating shelf, install between two cabinets or adjacent to one cabinet, and affix shelf to cabinets as well as wall.